

Surge protection device - D-LAN-CAT.5E-U - 2859084

Please be informed that the data shown in this PDF Document is generated from our Online Catalog. Please find the complete data in the user's documentation. Our General Terms of Use for Downloads are valid (<http://phoenixcontact.com/download>)



Fine surge protection in accordance with Class D (CAT.5e), for token ring and Ethernet. RJ45 attachment plug with separate grounding cable and snap-on foot for NS 35/7.5 DIN rails



Key Commercial Data

Packing unit	1 pc
GTIN	 4 017918 920470
GTIN	4017918920470
Weight per Piece (excluding packing)	130.200 g
Custom tariff number	85363010
Country of origin	Germany

Technical data

Dimensions

Height	94 mm
Width	25.4 mm
Depth	45.4 mm

Ambient conditions

Ambient temperature (operation)	-40 °C ... 80 °C
Degree of protection	IP20

General

Housing material	Aluminum, anodized
Color	black
Standards for clearances and creepage distances	DIN VDE 0110-1

Surge protection device - D-LAN-CAT.5E-U - 2859084

Technical data

General

	IEC 60664-1
Overvoltage category	II
Degree of pollution	2
Mounting type	DIN rail: 35 mm
Type	Attachment plug for DIN rail mounting
Direction of action	Line-Line & Line-Shield & Shield-Earth Ground

Protective circuit

IEC test classification	C1
	C2
	C3
	B2
	B3
VDE requirement class	C1
	C2
	C3
	B2
	B3
Maximum continuous voltage U_C	± 7 V DC
Rated current	1.5 A (25 °C)
Operating effective current I_C at U_C	≤ 100 μ A
Residual current I_{PE}	≤ 100 μ A
Nominal discharge current I_n (8/20) μ s (line-line)	350 A
Nominal discharge current I_n (8/20) μ s (line-earth)	2.5 kA
Max. discharge current I_{max} (8/20) μ s maximum (line-earth)	2.5 kA (in total)
Nominal pulse current I_{an} (10/700) μ s (line-line)	160 A
Nominal pulse current I_{an} (10/700) μ s (line-earth)	160 A
Output voltage limitation at 1 kV/ μ s (line-line) spike	≤ 22 V
Output voltage limitation at 1 kV/ μ s (line-earth) spike	≤ 80 V (equipotential bonding lead: 1 m)
Output voltage limitation at 1 kV/ μ s (shield-earth) spike	≤ 700 V (equipotential bonding lead: 1 m)
Residual voltage at I_n (line-line)	≤ 45 V
Residual voltage at I_n (line-earth)	≤ 45 V
Residual voltage at I_n (shield-earth)	≤ 700 V
Voltage protection level U_p (line-line)	≤ 50 V (C1 - 500 V / 250 A)
	≤ 20 V (B3 - 2 kV / 25 A)
Voltage protection level U_p (line-earth)	≤ 65 V (C1, 500 V/250 A - PA-Ltg: 1 m)
	≤ 25 V (B3 - 2 kV / 25 A - PA-Ltg: 1 m)

Surge protection device - D-LAN-CAT.5E-U - 2859084

Technical data

Protective circuit

	≤ 60 V (C3, 7 kV/90 A - PA-Ltg: 1 m)
Voltage protection level U_p (shield-earth)	≤ 850 V (C2 - 4 kV/2 kA - PA-Ltg: 1 m)
Response time t_A (line-line)	≤ 500 ns
Response time t_A (line-earth)	≤ 100 ns
Input attenuation aE, sym.	1 dB (up to 100 MHz, 100 Ω system)
Near-end crosstalk attenuation	36 dB (pair 3-6 against pair 4-5 in 100 Ω system / 100 MHz)
	40 dB (all other pair combinations in 100 Ω system/100 MHz)
Cut-off frequency f_g (3 dB), sym. in 100 Ohm system	≤ 100 MHz
Capacity (line-line)	20 pF (typical)
Capacity (line-earth)	1 pF (typical)
Surge protection fault message	none
Impulse durability (line-line)	B2 - 4 kV / 100 A
	B3 - 2 kV / 25 A
	C1 - 500 V / 250 A
Impulse durability (line-earth)	B2 - 4 kV / 100 A
	C1 - 500 V / 250 A
	C2 - 4 kV / 2 kA
	B3 - 2 kV / 25 A

Connection data

Connection method	RJ45
Connection method IN	RJ45 socket
Connection method OUT	RJ45 socket
Connection technology	Network interfaces (e.g. Ethernet, Token Ring and CDDI/FDDI)

Connection, equipotential bonding

Connection method	Cable connection
-------------------	------------------

Standards and Regulations

Standards/regulations	IEC 61643-21
	E VDE 0845-3-1
	DIN EN 50173-1

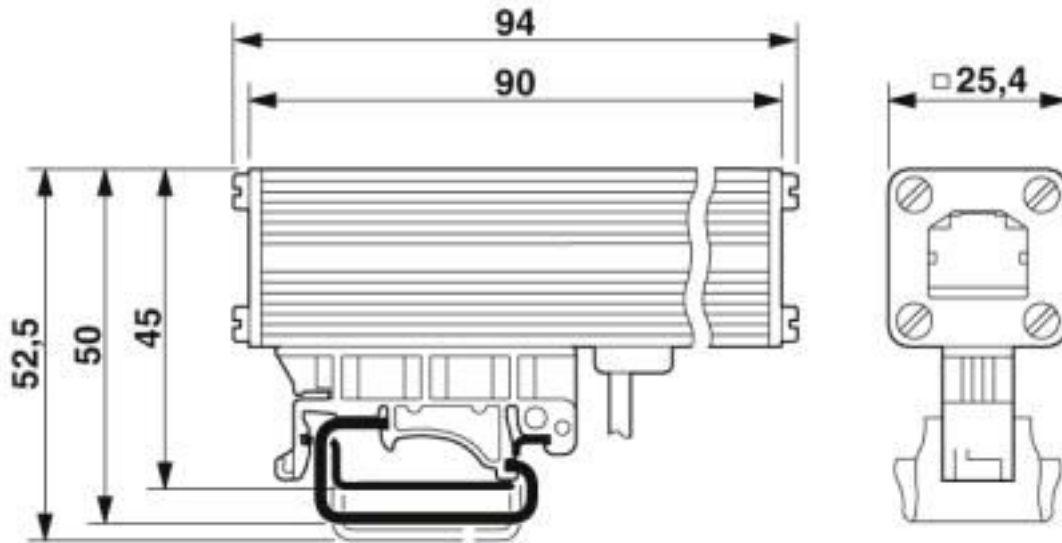
Environmental Product Compliance

REACH SVHC	Lead 7439-92-1
China RoHS	Environmentally friendly use period: unlimited = EFUP-e
	No hazardous substances above threshold values

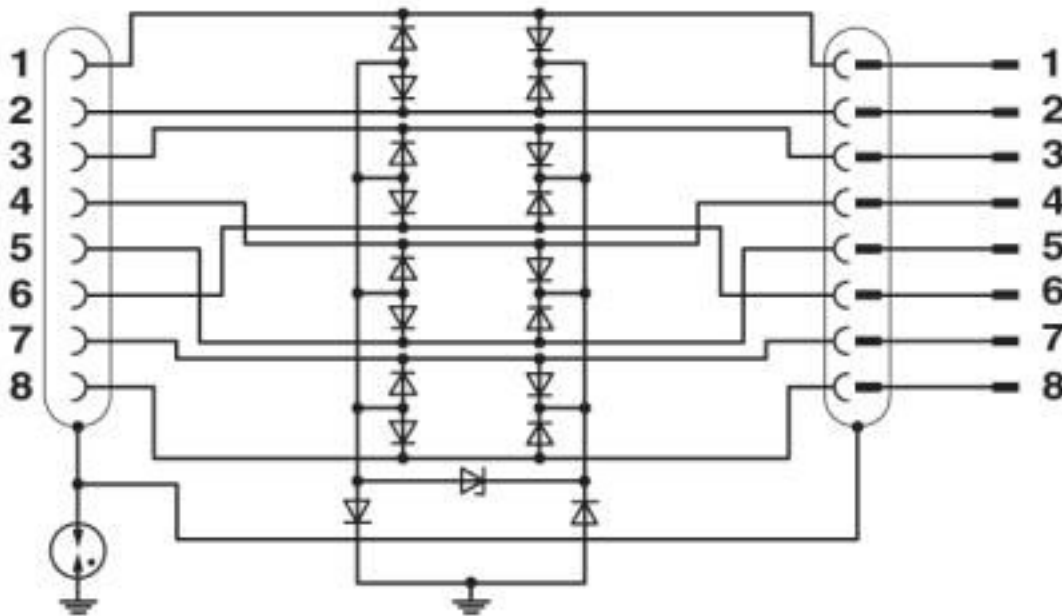
Drawings

Surge protection device - D-LAN-CAT.5E-U - 2859084

Dimensional drawing



Circuit diagram



Classifications

eCl@ss

eCl@ss 10.0.1	27130807
eCl@ss 4.0	27130800

Surge protection device - D-LAN-CAT.5E-U - 2859084

Classifications

eCl@ss

eCl@ss 4.1	27130800
eCl@ss 5.0	27130800
eCl@ss 5.1	27130800
eCl@ss 6.0	27130800
eCl@ss 7.0	27130807
eCl@ss 8.0	27130807
eCl@ss 9.0	27130807

ETIM

ETIM 2.0	EC000943
ETIM 3.0	EC000943
ETIM 4.0	EC000943
ETIM 5.0	EC000943
ETIM 6.0	EC000943
ETIM 7.0	EC000943

UNSPSC

UNSPSC 6.01	30212010
UNSPSC 7.0901	39121610
UNSPSC 11	39121610
UNSPSC 12.01	39121610
UNSPSC 13.2	39121620
UNSPSC 18.0	39121620
UNSPSC 19.0	39121620
UNSPSC 20.0	39121620
UNSPSC 21.0	39121620

Approvals

Approvals

Approvals


UL Listed / EAC / EAC

Ex Approvals


Approval details

Surge protection device - D-LAN-CAT.5E-U - 2859084

Approvals

UL Listed		http://database.ul.com/cgi-bin/XYVV/template/LISEXT/1FRAME/index.htm	FILE E 138168
-----------	-----------------------------------------------------------------------------------	---------------------------------------------------------------------------------------------------------------------------------------------------------	---------------

EAC			EAC-Zulassung
-----	-----------------------------------------------------------------------------------	--	---------------

EAC			RU C- DE.A*30.B01561
-----	-----------------------------------------------------------------------------------	--	-------------------------

Accessories

Additional products

Patch cable - FL CAT6 PATCH 0,5 - 2891288



Patch cable, CAT6, pre-assembled, 0.5 m

Patch cable - FL CAT6 PATCH 1,5 - 2891482



Patch cable, CAT6, pre-assembled, 1.5 m