

## Surge protection device - D-LAN-CAT.5E - 2858991


Please be informed that the data shown in this PDF Document is generated from our Online Catalog. Please find the complete data in the user's documentation. Our General Terms of Use for Downloads are valid (<http://phoenixcontact.com/download>)



Fine surge protection in accordance with Class D (CAT.5e), for token ring and Ethernet. RJ45 attachment plug with separate grounding cable, incl. RJ45 cable



### Key Commercial Data

Packing unit	1 pc
GTIN	 4 017918 920463
GTIN	4017918920463
Weight per Piece (excluding packing)	143.000 g
Custom tariff number	85363010
Country of origin	Germany

### Technical data

#### Dimensions

Height	94 mm
Width	25.4 mm
Depth	25.4 mm

#### Ambient conditions

Ambient temperature (operation)	-40 °C ... 80 °C
Degree of protection	IP20

#### General

Housing material	Aluminum, anodized
Color	black
Standards for clearances and creepage distances	DIN VDE 0110-1

# Surge protection device - D-LAN-CAT.5E - 2858991

## Technical data

### General

	IEC 60664-1
Overvoltage category	II
Degree of pollution	2
Mounting type	Connection-specific intermediate plugging
Type	Attachment plug
Direction of action	Line-Line & Line-Shield & Shield-Earth Ground

### Protective circuit

IEC test classification	C1
	C2
	C3
	B2
	B3
VDE requirement class	C1
	C2
	C3
	B2
	B3
Maximum continuous voltage $U_C$	$\pm 7$ V DC
Rated current	1.5 A (25 °C)
Operating effective current $I_C$ at $U_C$	$\leq 100$ $\mu$ A
Residual current $I_{PE}$	$\leq 100$ $\mu$ A
Nominal discharge current $I_n$ (8/20) $\mu$ s (line-line)	350 A
Nominal discharge current $I_n$ (8/20) $\mu$ s (line-earth)	2.5 kA
Max. discharge current $I_{max}$ (8/20) $\mu$ s maximum (line-earth)	2.5 kA (in total)
Nominal pulse current $I_{an}$ (10/700) $\mu$ s (line-line)	160 A
Nominal pulse current $I_{an}$ (10/700) $\mu$ s (line-earth)	160 A
Output voltage limitation at 1 kV/ $\mu$ s (line-line) spike	$\leq 22$ V
Output voltage limitation at 1 kV/ $\mu$ s (line-earth) spike	$\leq 80$ V (equipotential bonding lead: 1 m)
Output voltage limitation at 1 kV/ $\mu$ s (shield-earth) spike	$\leq 700$ V (equipotential bonding lead: 1 m)
Residual voltage at $I_n$ (line-line)	$\leq 45$ V
Residual voltage at $I_n$ (line-earth)	$\leq 45$ V
Residual voltage at $I_n$ (shield-earth)	$\leq 700$ V
Voltage protection level $U_p$ (line-line)	$\leq 50$ V (C1 - 500 V / 250 A)
	$\leq 20$ V (B3 - 2 kV / 25 A)
Voltage protection level $U_p$ (line-earth)	$\leq 65$ V (C1, 500 V/250 A - PA-Ltg: 1 m)
	$\leq 25$ V (B3 - 2 kV / 25 A - PA-Ltg: 1 m)

## Surge protection device - D-LAN-CAT.5E - 2858991

### Technical data

#### Protective circuit

	$\leq 60$ V (C3, 7 kV/90 A - PA-Ltg: 1 m)
Voltage protection level $U_p$ (shield-earth)	$\leq 850$ V (C2 - 4 kV/2 kA - PA-Ltg: 1 m)
Response time $t_A$ (line-line)	$\leq 500$ ns
Response time $t_A$ (line-earth)	$\leq 100$ ns
Input attenuation aE, sym.	1 dB (up to 100 MHz, 100 $\Omega$ system)
Near-end crosstalk attenuation	36 dB (pair 3-6 against pair 4-5 in 100 $\Omega$ system / 100 MHz)
	40 dB (all other pair combinations in 100 $\Omega$ system/100 MHz)
Cut-off frequency $f_g$ (3 dB), sym. in 100 Ohm system	$\leq 100$ MHz
Capacity (line-line)	20 pF (typical)
Capacity (line-earth)	1 pF (typical)
Surge protection fault message	none
Impulse durability (line-line)	B2 - 4 kV / 100 A
	B3 - 2 kV / 25 A
	C1 - 500 V / 250 A
Impulse durability (line-earth)	B2 - 4 kV / 100 A
	C1 - 500 V / 250 A
	C2 - 4 kV / 2 kA
	B3 - 2 kV / 25 A

#### Connection data

Connection method	RJ45
Connection method IN	RJ45 socket
Connection method OUT	RJ45 socket
Connection technology	Network interfaces (e.g. Ethernet, Token Ring and CDDI/FDDI)

#### Connection, equipotential bonding

Connection method	Cable connection
-------------------	------------------

#### Standards and Regulations

Standards/regulations	IEC 61643-21
	E VDE 0845-3-1
	DIN EN 50173-1

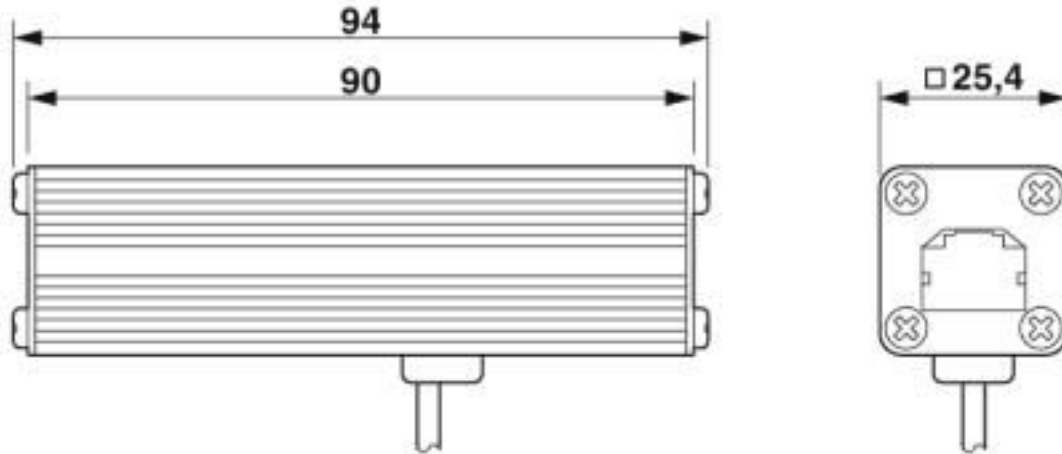
#### Environmental Product Compliance

REACH SVHC	Lead 7439-92-1
China RoHS	Environmentally friendly use period: unlimited = EFUP-e
	No hazardous substances above threshold values

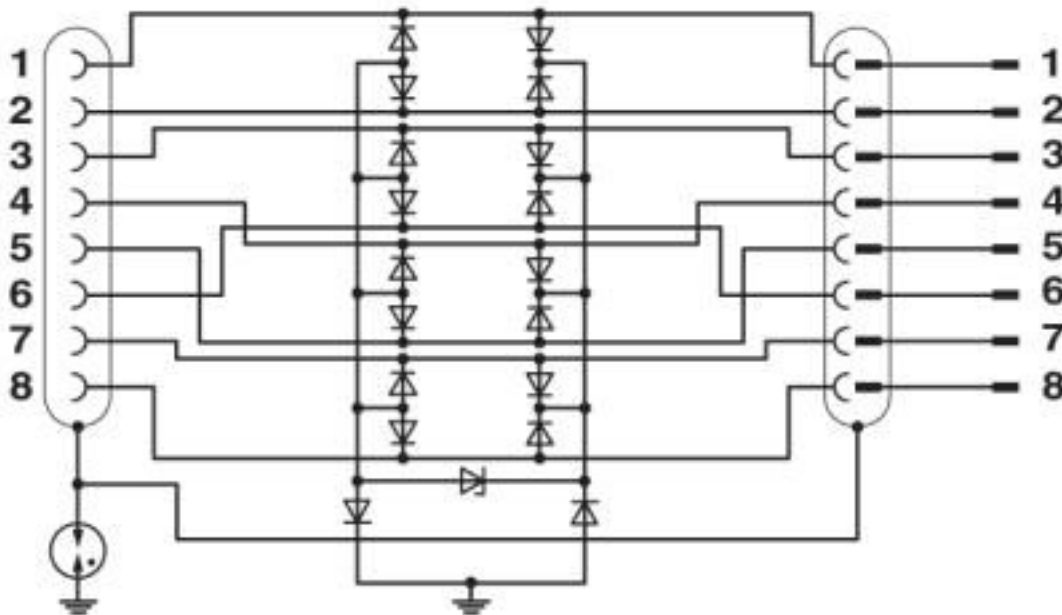
### Drawings

# Surge protection device - D-LAN-CAT.5E - 2858991

Dimensional drawing



Circuit diagram



## Classifications

eCl@ss

eCl@ss 10.0.1	27130807
eCl@ss 4.0	27130800
eCl@ss 4.1	27130800
eCl@ss 5.0	27130800

# Surge protection device - D-LAN-CAT.5E - 2858991

## Classifications

### eCl@ss

eCl@ss 5.1	27130800
eCl@ss 6.0	27130800
eCl@ss 7.0	27130807
eCl@ss 8.0	27130807
eCl@ss 9.0	27130807

### ETIM

ETIM 2.0	EC000943
ETIM 3.0	EC000943
ETIM 4.0	EC000943
ETIM 5.0	EC000943
ETIM 6.0	EC000943
ETIM 7.0	EC000943

### UNSPSC

UNSPSC 6.01	30212010
UNSPSC 7.0901	39121610
UNSPSC 11	39121610
UNSPSC 12.01	39121610
UNSPSC 13.2	39121620
UNSPSC 18.0	39121620
UNSPSC 19.0	39121620
UNSPSC 20.0	39121620
UNSPSC 21.0	39121620

## Approvals

### Approvals

---

#### Approvals

UL Listed / EAC / EAC

---


#### Ex Approvals

---


### Approval details

## Surge protection device - D-LAN-CAT.5E - 2858991

### Approvals

UL Listed		<a href="http://database.ul.com/cgi-bin/XYVV/template/LISEXT/1FRAME/index.htm">http://database.ul.com/cgi-bin/XYVV/template/LISEXT/1FRAME/index.htm</a>	FILE E 138168
-----------	---	---	---------------

EAC			EAC-Zulassung
-----	---	--	---------------

EAC			RU C- DE.A*30.B01561
-----	---	--	-------------------------

### Accessories

#### Additional products

Patch cable - FL CAT6 PATCH 0,5 - 2891288



Patch cable, CAT6, pre-assembled, 0.5 m

Patch cable - FL CAT6 PATCH 1,5 - 2891482



Patch cable, CAT6, pre-assembled, 1.5 m