

Surge protection device - C-TV/HIFI - 2857002

Please be informed that the data shown in this PDF Document is generated from our Online Catalog. Please find the complete data in the user's documentation. Our General Terms of Use for Downloads are valid (<http://phoenixcontact.com/download>)




Attachment plug with surge protection for antenna inputs with TV connector

Your advantages

- ✓ Protective adapter for antenna connections
- ✓ TV or F connector
- ✓ Use on broadband cable or SAT connection



Key Commercial Data

Packing unit	1
GTIN	 4 017918 915186
GTIN	4017918915186
Custom tariff number	85363010

Technical data

Dimensions

Height	40 mm
Width	28 mm
Depth	61 mm

Ambient conditions

Ambient temperature (operation)	-25 °C ... 75 °C
Altitude	≤ 2000 m (amsl (above mean sea level))
Degree of protection	IP20

General

Surge protection device - C-TV/HIFI - 2857002

Technical data

General

Housing material	PA 6.6
Flammability rating according to UL 94	V-0
Color	jet black RAL 9005
Overvoltage category	II
Degree of pollution	2
Mounting type	Connection-specific intermediate plugging
Type	Attachment plug
Number of positions	1
Direction of action	Line-Shield/Earth Ground

Protective circuit

IEC test classification	C1
	C2
	C3
	D1
Maximum continuous voltage U_C	24 V DC
Rated current	1.5 A (25 °C)
Operating effective current I_C at U_C	$\leq 1 \mu\text{A}$
Residual current I_{PE}	$\leq 1 \mu\text{A}$
Nominal discharge current I_n (8/20) μs (line-shield)	2.5 kA
Nominal pulse current I_{an} (10/1000) μs (line-shield)	120 A
Output voltage limitation at 1 kV/ μs (line-shield) spike	$\leq 600 \text{ V}$
Output voltage limitation at 1 kV/ μs (line-shield) static	$\leq 600 \text{ V}$
Residual voltage at I_n (line-shield)	$\leq 30 \text{ V}$
Voltage protection level U_p (line-shield)	$\leq 700 \text{ V}$ (C2 - 4 kV / 2 kA)
	$\leq 800 \text{ V}$ (C2 - 5 kV/2,5 kA)
Response time t_A (line-shield)	$\leq 100 \text{ ns}$
Input attenuation a_E , asym.	typ. 0.5 dB ($\leq 2.4 \text{ GHz} / 75 \Omega$)
Cut-off frequency f_g (3 dB), asym. (shield) in 75 Ohm system	$> 1 \text{ GHz}$
Frequency range	4.7 MHz ... 860 MHz
Capacity asymmetrical (shield)	typ. 10 pF
Surge protection fault message	none
Impulse durability (line-shield)	C2 - 4 kV/2 kA
	C2 - 5 kV / 2.5 kA
	C3 - 100 A
	D1 - 500 A
Alternating current carrying capacity (line-shield)	5 A - 1 s

Surge protection device - C-TV/HIFI - 2857002

Technical data

Protective circuit

Pulse reset time (line-shield)	< 3 s
--------------------------------	-------

Connection data

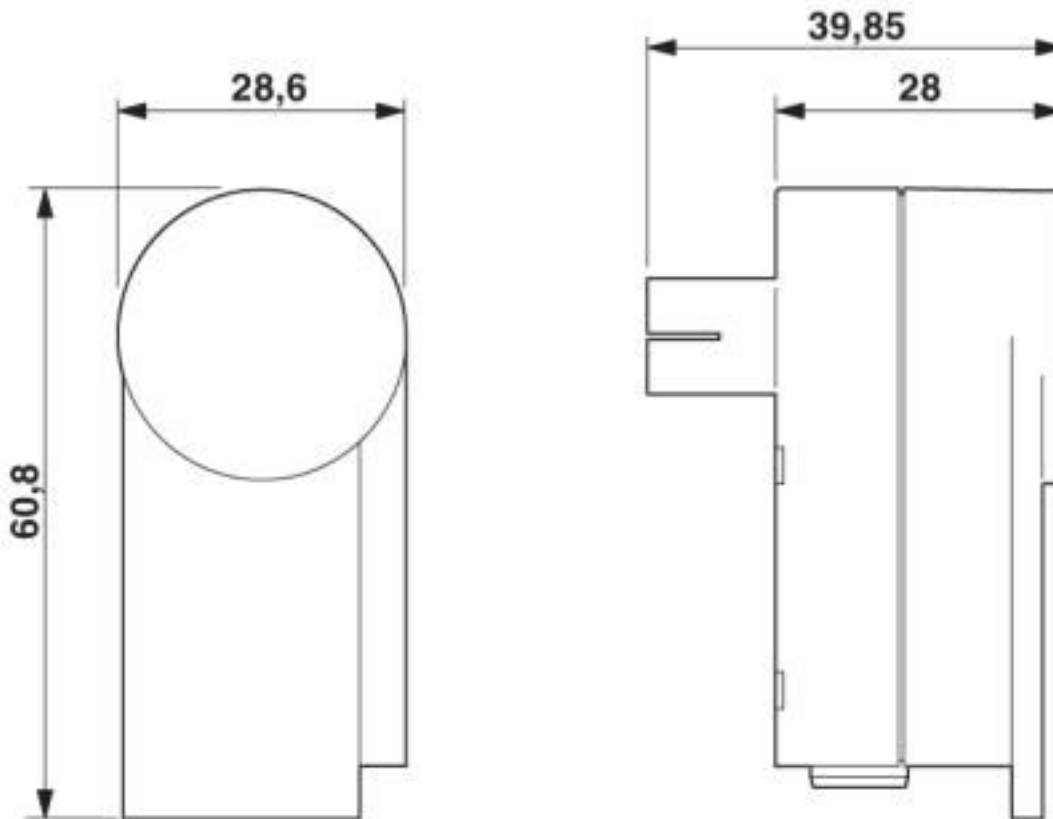
Connection method	PAL-TV (IEC 169-2)
Connection method IN	Socket
Connection method OUT	Male

Standards and Regulations

Standards/specifications	IEC 61643-21 2012
	EN 61643-21 2013
	EN 50083 CLASS-A

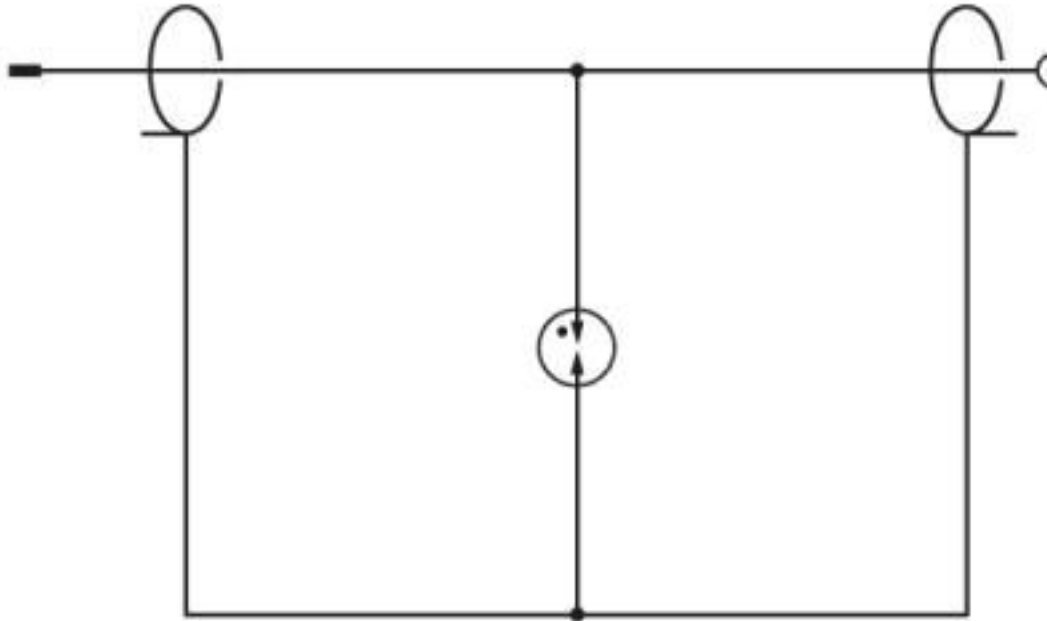
Drawings

Dimensional drawing



Surge protection device - C-TV/HIFI - 2857002

Circuit diagram



Classifications

eCl@ss

eCl@ss 10.0.1	27130807
eCl@ss 4.0	27130800
eCl@ss 4.1	27130800
eCl@ss 5.0	27130800
eCl@ss 5.1	27130800
eCl@ss 6.0	27130800
eCl@ss 7.0	27130807
eCl@ss 8.0	27130807
eCl@ss 9.0	27130807

ETIM

ETIM 2.0	EC001473
ETIM 3.0	EC001473
ETIM 4.0	EC000943
ETIM 5.0	EC000943
ETIM 6.0	EC000943
ETIM 7.0	EC000943

Surge protection device - C-TV/HIFI - 2857002

Classifications

UNSPSC

UNSPSC 6.01	30212010
UNSPSC 7.0901	39121610
UNSPSC 11	39121610
UNSPSC 12.01	39121610
UNSPSC 13.2	39121620
UNSPSC 18.0	39121620
UNSPSC 19.0	39121620
UNSPSC 20.0	39121620
UNSPSC 21.0	39121620

Approvals


Approvals

Approvals

EAC

Ex Approvals

Approval details

EAC		RU C- DE.A*30.B01561
-----	---	-------------------------
