

Upper part of housing - EG 45-A/PC GY - 2853129


Please be informed that the data shown in this PDF Document is generated from our Online Catalog. Please find the complete data in the user's documentation. Our General Terms of Use for Downloads are valid (<http://phoenixcontact.com/download>)



Housing cover, for connection on both sides

The figure shows fully mounted versions of the electronic housing, in green

Key Commercial Data

Packing unit	1
GTIN	 4 017918 423001
GTIN	4017918423001
Custom tariff number	85389099

Technical data

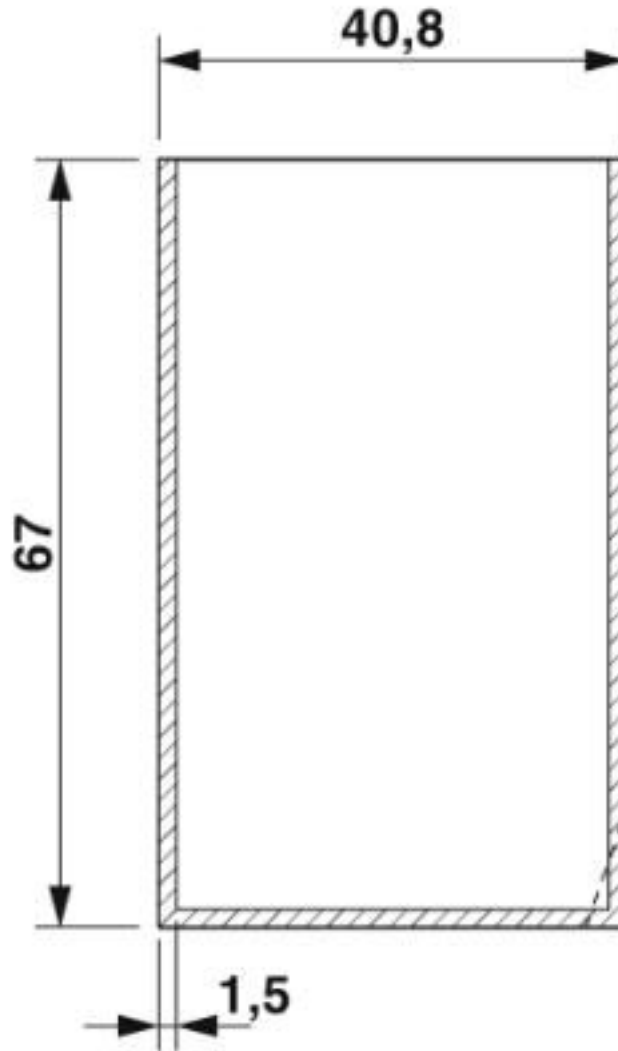
Environmental Product Compliance

China RoHS	Environmentally friendly use period: unlimited = EFUP-e
	No hazardous substances above threshold values

Drawings

Upper part of housing - EG 45-A/PC GY - 2853129

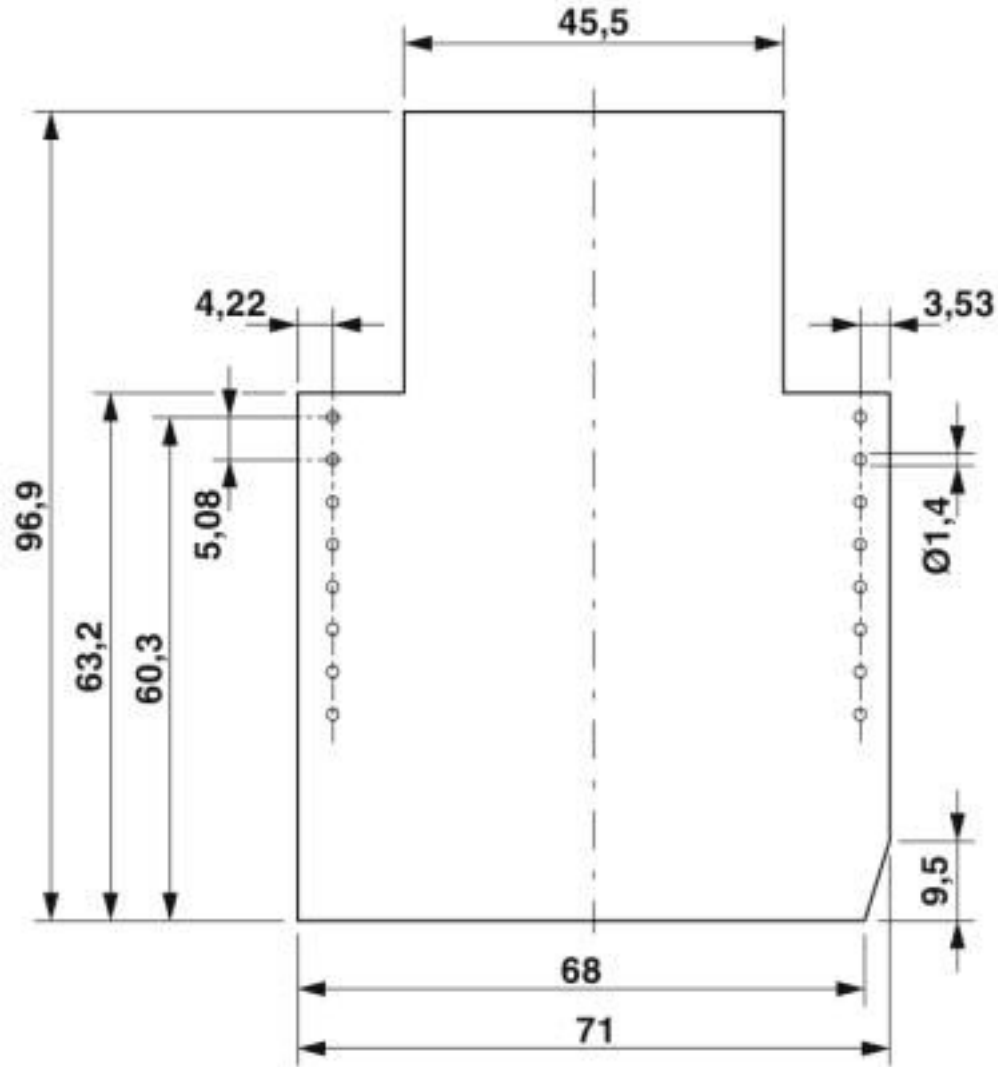
Dimensional drawing



valid for PCB 1; 3; 5 and 6, see explosion drawing

Upper part of housing - EG 45-A/PC GY - 2853129

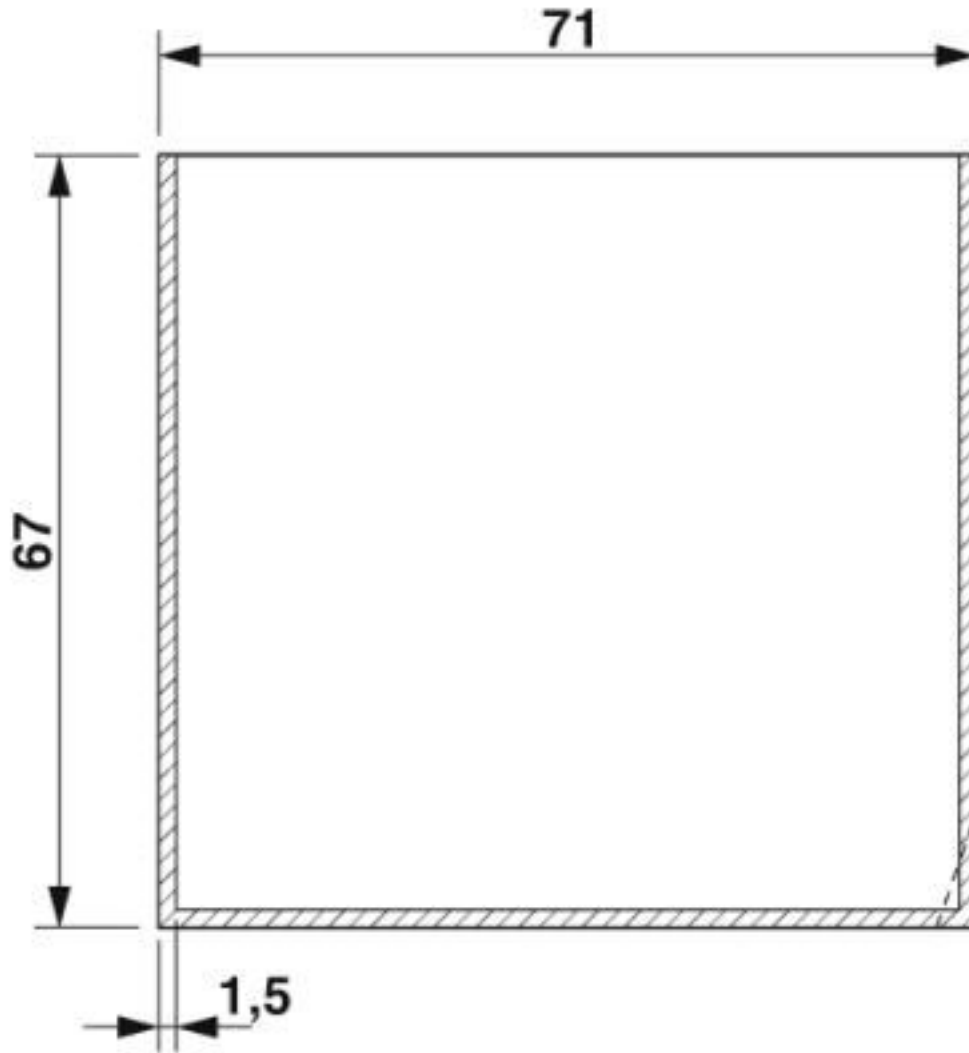
Dimensional drawing



Component mounting side, if the double-level upper part is used

Upper part of housing - EG 45-A/PC GY - 2853129

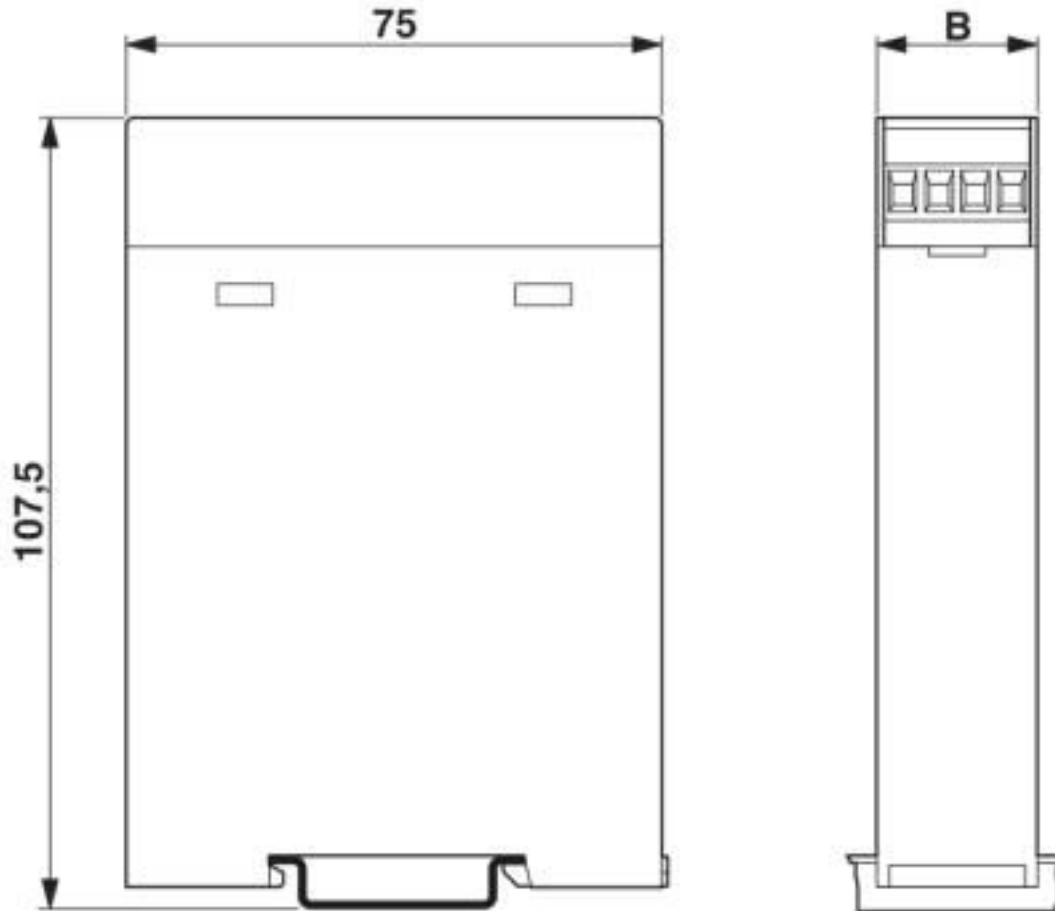
Dimensional drawing



valid for PCB 7 and 12, see explosion drawing

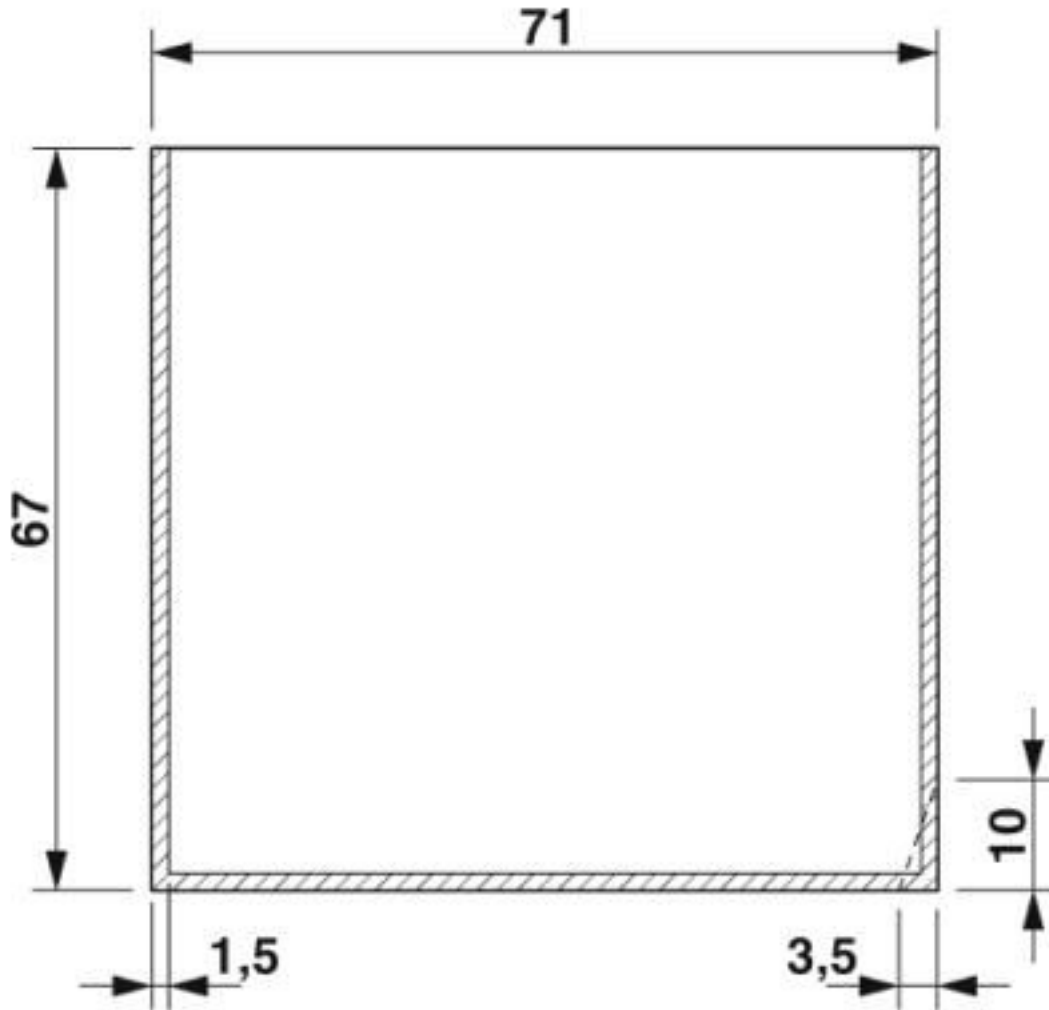
Upper part of housing - EG 45-A/PC GY - 2853129

Dimensional drawing



Upper part of housing - EG 45-A/PC GY - 2853129

Dimensional drawing



valid for PCB 10, see explosion drawing

Classifications

eCl@ss

eCl@ss 10.0.1	27182702
eCl@ss 4.0	27180400
eCl@ss 4.1	27180400
eCl@ss 5.0	27180500
eCl@ss 5.1	27180500
eCl@ss 6.0	27180800

Upper part of housing - EG 45-A/PC GY - 2853129

Classifications

eCl@ss

eCl@ss 7.0	27182702
eCl@ss 8.0	27182702
eCl@ss 9.0	27182702

ETIM

ETIM 2.0	EC001031
ETIM 3.0	EC001031
ETIM 4.0	EC001031
ETIM 5.0	EC001031
ETIM 6.0	EC001031
ETIM 7.0	EC001031

UNSPSC

UNSPSC 6.01	31261501
UNSPSC 7.0901	31261501
UNSPSC 11	31261501
UNSPSC 12.01	31261501
UNSPSC 13.2	31261501
UNSPSC 18.0	31261501
UNSPSC 19.0	31261501
UNSPSC 20.0	31261501
UNSPSC 21.0	31261501

Approvals

Approvals

Approvals

UL Recognized

Ex Approvals

Approval details

UL Recognized		http://database.ul.com/cgi-bin/XYV/template/LISEXT/1FRAME/index.htm	FILE E 240868
---------------	--	-------------------------------------------------------------------------------------------------------------------------------------------------------	---------------

