

Basic terminal block - PI-EX-ES-1/3 - 2835325


Please be informed that the data shown in this PDF Document is generated from our Online Catalog. Please find the complete data in the user's documentation. Our General Terms of Use for Downloads are valid (<http://phoenixcontact.com/download>)



Ex basic terminal block, with three terminal points to the field level (Ex area)



Key Commercial Data

Packing unit	1 pc
Minimum order quantity	6 pc
GTIN	 4 017918 164218
GTIN	4017918164218
Weight per Piece (excluding packing)	89.410 g
Custom tariff number	85369010
Country of origin	Germany

Technical data

Note

Utilization restriction	EMC: class A product, see manufacturer's declaration in the download area
-------------------------	---

Dimensions

Width	17.5 mm
Height	127.5 mm
Depth	92 mm

Ambient conditions

Ambient temperature (operation)	-20 °C ... 60 °C
Ambient temperature (storage/transport)	-40 °C ... 85 °C

Basic terminal block - PI-EX-ES-1/3 - 2835325

Technical data

General

Nominal voltage U_N	250 V AC (UB+, UB-)
Nom. voltage	20 V DC ... 35 V DC (See nominal voltage, PI modules)
Housing insulation material	Polyamide PA non-reinforced, polycarbonate PC, PVC
Color	green
Conformance	CE-compliant
ATEX	# II (1) G [Ex ia] IIC
	# II (1) D [Ex iaD]
	# II 3 G Ex nA II T4 X

Standards and Regulations

Conformance	CE-compliant
ATEX	# II (1) G [Ex ia] IIC
	# II (1) D [Ex iaD]
	# II 3 G Ex nA II T4 X

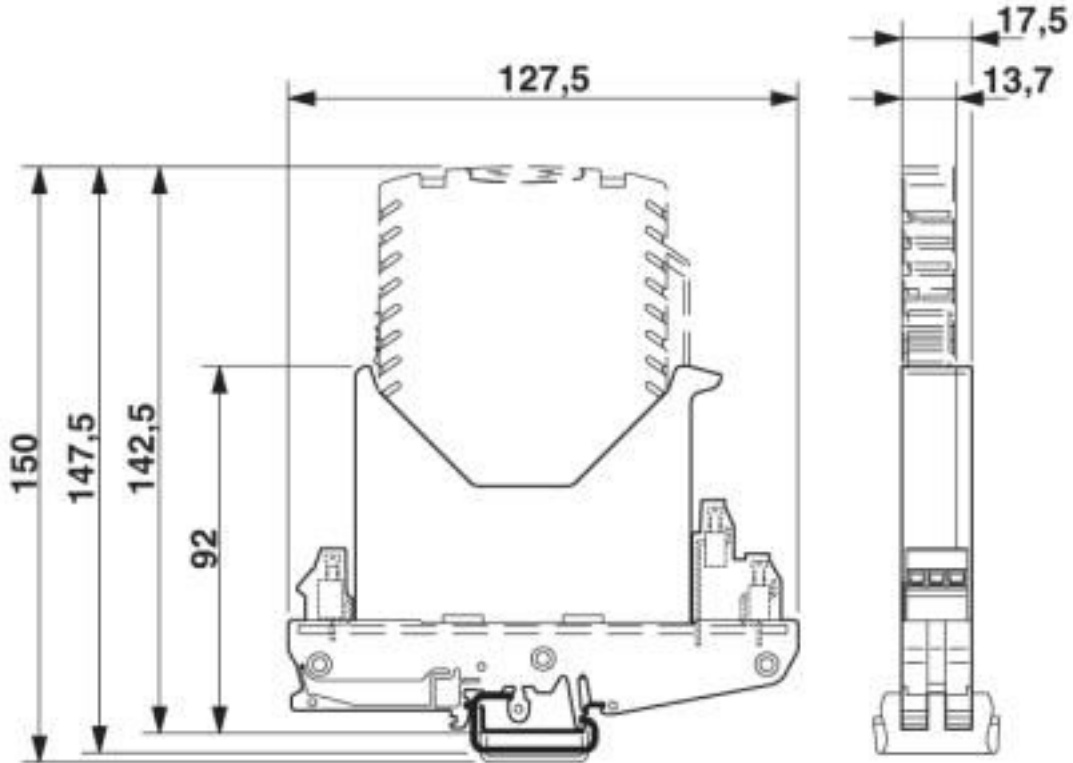
Environmental Product Compliance

REACH SVHC	Lead 7439-92-1
China RoHS	Environmentally friendly use period: unlimited = EFUP-e
	No hazardous substances above threshold values

Drawings

Basic terminal block - PI-EX-ES-1/3 - 2835325

Dimensional drawing



Classifications

eCl@ss

eCl@ss 10.0.1	27141152
eCl@ss 4.0	27141100
eCl@ss 4.1	27141100
eCl@ss 5.0	27371600
eCl@ss 5.1	27371600
eCl@ss 6.0	27371600
eCl@ss 7.0	27141152
eCl@ss 8.0	27141152
eCl@ss 9.0	27141152

ETIM

ETIM 4.0	EC002780
ETIM 5.0	EC002780
ETIM 6.0	EC002780
ETIM 7.0	EC002780

Basic terminal block - PI-EX-ES-1/3 - 2835325

Classifications

UNSPSC

UNSPSC 6.01	30211811
UNSPSC 7.0901	39121410
UNSPSC 11	39121410
UNSPSC 12.01	39121410
UNSPSC 13.2	39121432
UNSPSC 18.0	39121432
UNSPSC 19.0	39121432
UNSPSC 20.0	39121432
UNSPSC 21.0	39121432

Accessories

Accessories

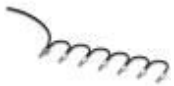
Bridge

Wire bridge - DB 50- 90 GY - 2820929



Wire bridge - DB 50- 90 BK - 2820916

Wire bridge, color: black



Wire bridge - DB 50- 90 BU - 2821180

Wire bridge, color: blue



