

Surge protection device - CN-UB-280DC-SB - 2818148

Please be informed that the data shown in this PDF Document is generated from our Online Catalog. Please find the complete data in the user's documentation. Our General Terms of Use for Downloads are valid (<http://phoenixcontact.com/download>)




Attachment plug with replaceable surge protection for coaxial signal interfaces. Connection: N connector plug/socket

Your advantages

- ✓ For outdoor installations
- ✓ Mounting plate enables mounting, e.g., in a control cabinet
- ✓ Replaceable, gas-filled arrester
- ✓ Installed as surge protection between antenna and wireless module

Key Commercial Data

Packing unit	1 pc
GTIN	 4 017918 148379
GTIN	4017918148379
Weight per Piece (excluding packing)	144.600 g
Custom tariff number	85363010
Country of origin	Germany

Technical data

Dimensions

Height	25 mm
Width	25 mm
Depth	72 mm

Ambient conditions

Ambient temperature (operation)	-40 °C ... 80 °C
---------------------------------	------------------

Surge protection device - CN-UB-280DC-SB - 2818148

Technical data

Ambient conditions

Altitude	≤ 2000 m (amsl (above mean sea level))
Degree of protection	IP55

General

Housing material	Nickel-plated brass
Overvoltage category	III
Degree of pollution	2
Mounting type	Connection-specific intermediate plugging
Type	Attachment plug
Direction of action	Line-Shield/Earth Ground

Additional descriptions

Note	To meet the discharge conditions for DC voltages, please note the following information: "The surge protective device should be used together with a transmitter unit, which shuts down in the event of a short-circuit."
------	---

Protective circuit

IEC test classification	C1
	C2
	C3
	D1
Maximum continuous voltage U_C	280 V DC
	195 V AC
Rated current	5 A (25 °C)
Operating effective current I_C at U_C	≤ 1 μA
Nominal discharge current I_n (8/20) μs (line-earth)	20 kA
Nominal discharge current I_n (8/20) μs (line-shield)	20 kA
Pulse discharge current I_{imp} (10/350) μs (line-earth)	2.5 kA
Pulse discharge current I_{imp} (10/350) μs (line-shield)	2.5 kA
Total discharge current I_{total} (8/20) μs	20 kA
Max. discharge current I_{max} (8/20) μs maximum (line-earth)	20 kA
Max. discharge current I_{max} (8/20) μs maximum (line-shield)	20 kA
Nominal pulse current I_{an} (10/1000) μs (line-earth)	100 A
Nominal pulse current I_{an} (10/1000) μs (line-shield)	100 A
Output voltage limitation at 1 kV/μs (line-earth) spike	≤ 900 V
Output voltage limitation at 1 kV/μs (line-shield) spike	≤ 900 V
Voltage protection level U_p (line-earth)	≤ 900 V (C1 - 1 kV/500 A)
	≤ 1.1 kV (C2 - 10 kV / 5 kA)

Surge protection device - CN-UB-280DC-SB - 2818148

Technical data

Protective circuit

	≤ 1 kV (C3 - 25 A)
Voltage protection level U_p (line-shield)	≤ 900 V (C1 - 1 kV/500 A)
	≤ 1.1 kV (C2 - 10 kV / 5 kA)
	≤ 1 kV (C3 - 25 A)
Response time t_A	≤ 100 ns
Input attenuation aE, asym.	typ. 0.1 dB (≤ 1.2 GHz / 50 Ω)
	typ. 0.2 dB (≤ 2.2 GHz / 50 Ω)
Cut-off frequency f_g (3 dB), asym. (shield) in 50 Ohm system	> 3 GHz
Standing wave ratio SWR in a 50 Ω system	typ. 1.1 (≤ 2 GHz)
Permissible HF power P_{max} at VSWR = xx (50 ohm system)	700 W (VSWR = 1.1)
	200 W (VSWR = ∞)
Capacity	typ. 1.5 pF
Surge protection fault message	none
Impulse durability (line-earth)	C1 - 1 kV / 500 A
	C2 - 10 kV / 5 kA
	C3 - 100 A
	D1 - 2.5 kA
Impulse durability (line-shield)	C1 - 1 kV / 500 A
	C2 - 10 kV/5 kA
	C3 - 100 A
	D1 - 2.5 kA

Connection data

Connection method	N connector 50 Ω
Connection method IN	N connector, male
Connection method OUT	N connector, female

Standards and Regulations

Standards/specifications	IEC 61643-21 2000 + A1:2008
	EN 61643-21 2001 + A1:2009

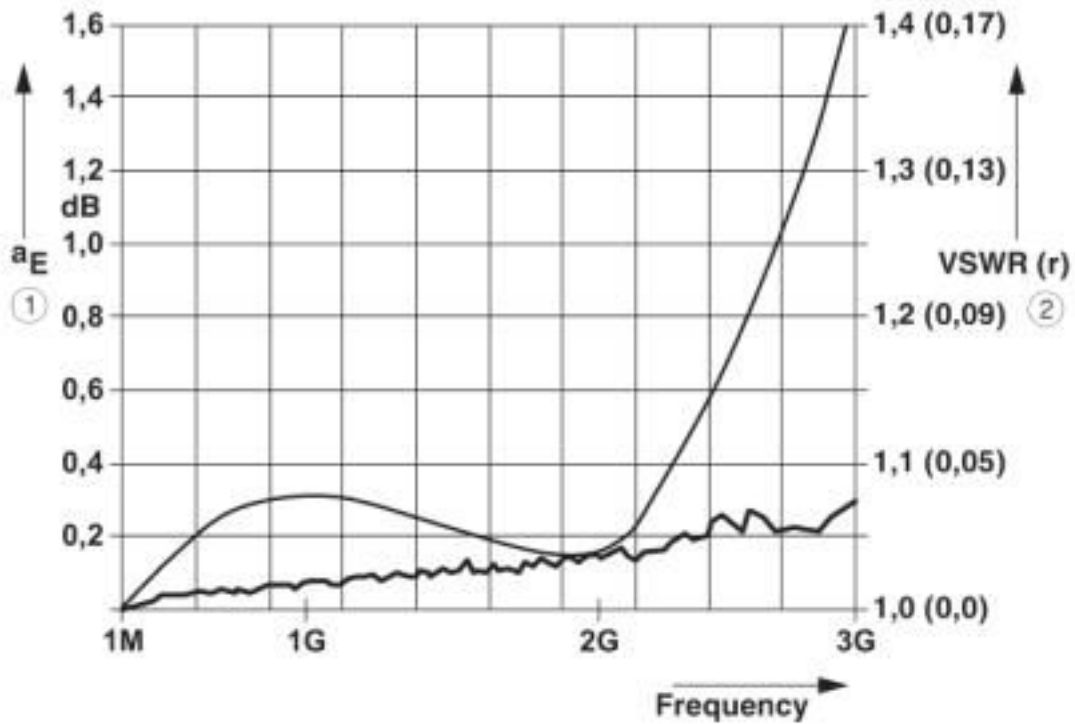
Environmental Product Compliance

REACH SVHC	Lead 7439-92-1
China RoHS	Environmentally Friendly Use Period = 50 years
	For details about hazardous substances go to tab "Downloads", Category "Manufacturer's declaration"

Drawings

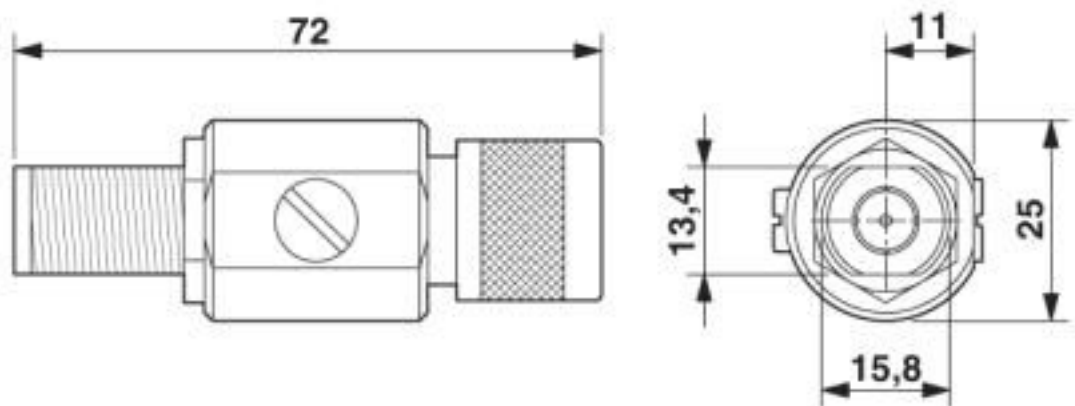
Surge protection device - CN-UB-280DC-SB - 2818148

Diagram



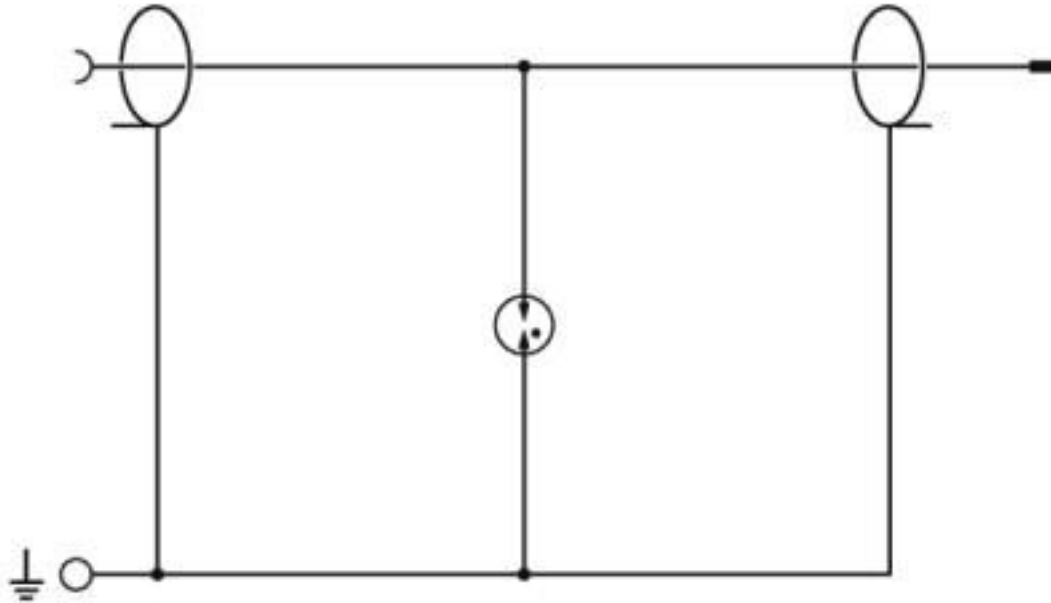
- ① Typical attenuation curve for CN-UB-280DC...
- ② Typical VSWR at CN-UB-280DC...

Dimensional drawing



Surge protection device - CN-UB-280DC-SB - 2818148

Circuit diagram



Classifications

eCl@ss

eCl@ss 10.0.1	27130807
eCl@ss 4.0	27130800
eCl@ss 4.1	27130800
eCl@ss 5.0	27130800
eCl@ss 5.1	27130800
eCl@ss 6.0	27130800
eCl@ss 7.0	27130807
eCl@ss 8.0	27130807
eCl@ss 9.0	27130807

ETIM

ETIM 2.0	EC000943
ETIM 3.0	EC000943
ETIM 4.0	EC000943
ETIM 5.0	EC000943
ETIM 6.0	EC000943
ETIM 7.0	EC000943

Surge protection device - CN-UB-280DC-SB - 2818148

Classifications

UNSPSC

UNSPSC 6.01	30212010
UNSPSC 7.0901	39121610
UNSPSC 11	39121610
UNSPSC 12.01	39121610
UNSPSC 13.2	39121620
UNSPSC 18.0	39121620
UNSPSC 19.0	39121620
UNSPSC 20.0	39121620
UNSPSC 21.0	39121620

Approvals

Approvals


Approvals

UL Listed / UL Listed / EAC / EAC


Ex Approvals

UL Listed / cUL Listed / cULus Listed

Approval details

UL Listed		http://database.ul.com/cgi-bin/XYV/template/LISEXT/1FRAME/index.htm	FILE E 362540
Nominal voltage UN		280 V	
Nominal current IN		5 A	

UL Listed		http://database.ul.com/cgi-bin/XYV/template/LISEXT/1FRAME/index.htm	FILE E 138168
-----------	---	---	---------------

EAC		EAC-Zulassung
-----	---	---------------

Surge protection device - CN-UB-280DC-SB - 2818148

Approvals

EAC



RU C-
DE.A*30.B01561

Accessories

Accessories

Assembly adapter

Mounting plate - CN-UB/MP - 2818135



Tongue for attaching the CN-UB..., to housing panels, for example.

Mounting plate - CN-UB/MP-90DEG-50 - 2803137



Angled bracket for individually fixing CN-UB... to housing panels, for example.

Additional products

Mounting plate - CN-UB/MP - 2818135



Tongue for attaching the CN-UB..., to housing panels, for example.

Spare parts

Surge protection device - CN-UB-280DC-SB - 2818148

Accessories

Gas-filled surge arrester - CN-UB-G1 - 2818203



Reserve gas-filled surge arrester for CN-UB-280DC...