

Signal conditioner - MCR-C-I-I-00-DC - 2814508

Please be informed that the data shown in this PDF Document is generated from our Online Catalog. Please find the complete data in the user's documentation. Our General Terms of Use for Downloads are valid (<http://phoenixcontact.com/download>)



MCR 3-way signal conditioner, for electrical isolation of analog signals, input signal: 0(4) mA ... 20 mA, output signal: 0(4) mA ... 20 mA. Replacement part: 2901998 MINI MCR-2-I-I.


Your advantages

- Fixed setting of input and output signals
- Processing of standard signals
- 3-way isolation

RoHS



Key Commercial Data

Packing unit	1 pc
GTIN	 4 017918 156190
GTIN	4017918156190
Weight per Piece (excluding packing)	81.660 g
Custom tariff number	85437090
Country of origin	Germany

Technical data

Note

Utilization restriction	EMC: class A product, see manufacturer's declaration in the download area
-------------------------	---

Dimensions

Width	12.5 mm
Height	99 mm
Depth	114.5 mm

Signal conditioner - MCR-C-I-I-00-DC - 2814508

Technical data

Ambient conditions

Ambient temperature (operation)	-25 °C ... 60 °C
---------------------------------	------------------

Input data

Description of the input	Current input
Number of inputs	1
Configurable/programmable	no
Current input signal	0 mA ... 20 mA
	4 mA ... 20 mA
Max. input current	50 mA
Input resistance current input	50 Ω

Output data

Output name	Current output
Number of outputs	1
Configurable/programmable	no
Current output signal	0 mA ... 20 mA
	4 mA ... 20 mA
Max. output current	30 mA
Load/output load current output	≤ 500 Ω
Linear transmission range (in reference to the output range end value)	0 % ... 105 %

Power supply

Supply voltage range	20 V DC ... 30 V DC
Typical current consumption	< 15 mA (without load)

General

No. of channels	1
Maximum transmission error	≤ 0.2 % (of final value)
Transmission error, typical	0.1 % (of final value)
Maximum temperature coefficient	< 0.015 %/K
Limit frequency (3 dB)	30 Hz
Step response (10-90%)	11 ms
Protective circuit	Transient protection
Test voltage, input/output/supply	1.5 kV (50 Hz, 1 min.)
Color	green
Housing material	Polyamide PA non-reinforced
Mounting position	any

Standards and Regulations

Connection in acc. with standard	CUL
----------------------------------	-----

Signal conditioner - MCR-C-I-I-00-DC - 2814508

Technical data

Standards and Regulations

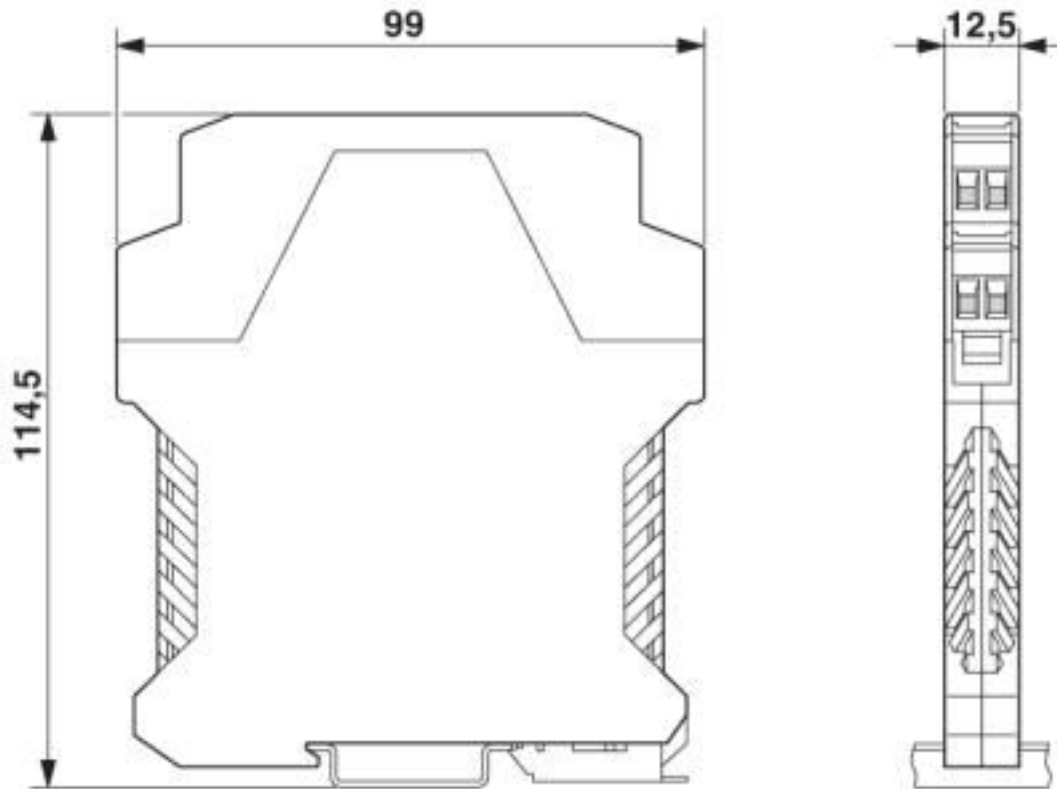
Conformance	CE-compliant
-------------	--------------

Environmental Product Compliance

REACH SVHC	Lead 7439-92-1
China RoHS	Environmentally Friendly Use Period = 50 years
	For details about hazardous substances go to tab "Downloads", Category "Manufacturer's declaration"

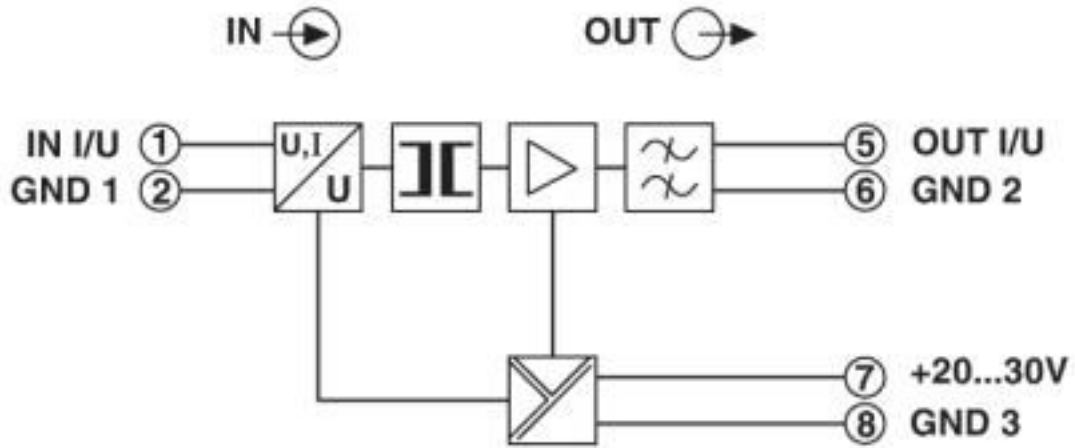
Drawings

Dimensional drawing



Signal conditioner - MCR-C-I-I-00-DC - 2814508

Circuit diagram



Classifications

eCl@ss

eCl@ss 4.0	27210100
eCl@ss 4.1	27210100
eCl@ss 5.0	27210100
eCl@ss 5.1	27210100
eCl@ss 6.0	27210100
eCl@ss 7.0	27210120
eCl@ss 8.0	27210120
eCl@ss 9.0	27210120

ETIM

ETIM 4.0	EC002653
ETIM 5.0	EC002653
ETIM 6.0	EC002653
ETIM 7.0	EC002653

UNSPSC

UNSPSC 6.01	30211506
UNSPSC 7.0901	39121008
UNSPSC 11	39121008
UNSPSC 12.01	39121008
UNSPSC 13.2	39121008
UNSPSC 18.0	39121008
UNSPSC 19.0	39121008

Signal conditioner - MCR-C-I-I-00-DC - 2814508

Classifications

UNSPSC

UNSPSC 20.0	39121008
UNSPSC 21.0	39121008

Approvals

Approvals

Approvals

UL Recognized / cUL Recognized / EAC / cULus Recognized

Ex Approvals

Approval details

UL Recognized		http://database.ul.com/cgi-bin/XYV/template/LISEXT/1FRAME/index.htm	FILE E 238705
---------------	--	---	---------------

cUL Recognized		http://database.ul.com/cgi-bin/XYV/template/LISEXT/1FRAME/index.htm	FILE E 238705
----------------	--	---	---------------

EAC			RU*DE.*08.B.01536/19
-----	--	--	----------------------

cULus Recognized			
------------------	--	--	--

Accessories

Accessories

Bridge

Signal conditioner - MCR-C-I-I-00-DC - 2814508

Accessories

Wire bridge - DB 50- 90 GY - 2820929



Wire bridge - DB 50- 90 BK - 2820916

Wire bridge, color: black



Wire bridge - DB 50- 90 BU - 2821180

Wire bridge, color: blue

