

Feed-through terminal block - MINI MCR-SL-TB - 2811420

Please be informed that the data shown in this PDF Document is generated from our Online Catalog. Please find the complete data in the user's documentation. Our General Terms of Use for Downloads are valid (<http://phoenixcontact.com/download>)



Feed-through terminal block for transmission of signals that are already electrically isolated

Product Description

The 6.2 mm wide MINI MCR-SL-TB is a feed-through terminal block for transmission of already electrically isolated signals. It is used in the standard operation and in combination with the MINI analog system adapter MINI MCR-SL-V8-FLK16-A (order no. 2811268).


Your advantages

- Feed-through terminal block for 1:1 forwarding of signals in the MINI Analog group
- Use in conjunction with the MINI Analog multiplexer
- For direct mounting in applications without signal conversion and without electrical isolation

RoHS



Key Commercial Data

Packing unit	1 pc
GTIN	 4 046356 281911
GTIN	4046356281911
Weight per Piece (excluding packing)	80.000 g
Custom tariff number	85389091
Country of origin	Germany

Technical data

Dimensions

Width	6.2 mm
Height	93.1 mm
Depth	101.2 mm

Ambient conditions

Feed-through terminal block - MINI MCR-SL-TB - 2811420

Technical data

Ambient conditions

Ambient temperature (operation)	-20 °C ... 65 °C
Ambient temperature (storage/transport)	-40 °C ... 85 °C

Input data

max. input voltage	30 V AC/DC
Max. input current	1 A

Connection data

Connection method	Screw connection
Stripping length	12 mm
Screw thread	M3
Number of connections	1
Conductor cross section solid	0.2 mm ² ... 2.5 mm ²
Conductor cross section flexible	0.2 mm ² ... 2.5 mm ²
Conductor cross section AWG	24 ... 12

General

No. of channels	1
Electromagnetic compatibility	Conformance with EMC directive
Noise emission	EN 61000-6-4
Noise immunity	EN 61000-6-2 When being exposed to interference, there may be minimal deviations.
Color	green
Housing material	PBT
Mounting position	any
Assembly instructions	The T connector can be used to bridge the supply voltage. It can be snapped onto a 35 mm DIN rail according to EN 60715.
Fire protection for rail vehicles (DIN EN 45545-2) R22	HL 1 - HL 2
Fire protection for rail vehicles (DIN EN 45545-2) R23	HL 1 - HL 2
Fire protection for rail vehicles (DIN EN 45545-2) R24	HL 1 - HL 2

Standards and Regulations

Electromagnetic compatibility	Conformance with EMC directive
Noise emission	EN 61000-6-4
Standards/regulations	EN 61000-4-2
Designation	Electromagnetic RF field
Standards/regulations	EN 61000-4-3
Evaluation criterion	A
Standards/regulations	EN 61000-4-4
	EN 61000-4-5

Feed-through terminal block - MINI MCR-SL-TB - 2811420

Technical data

Standards and Regulations

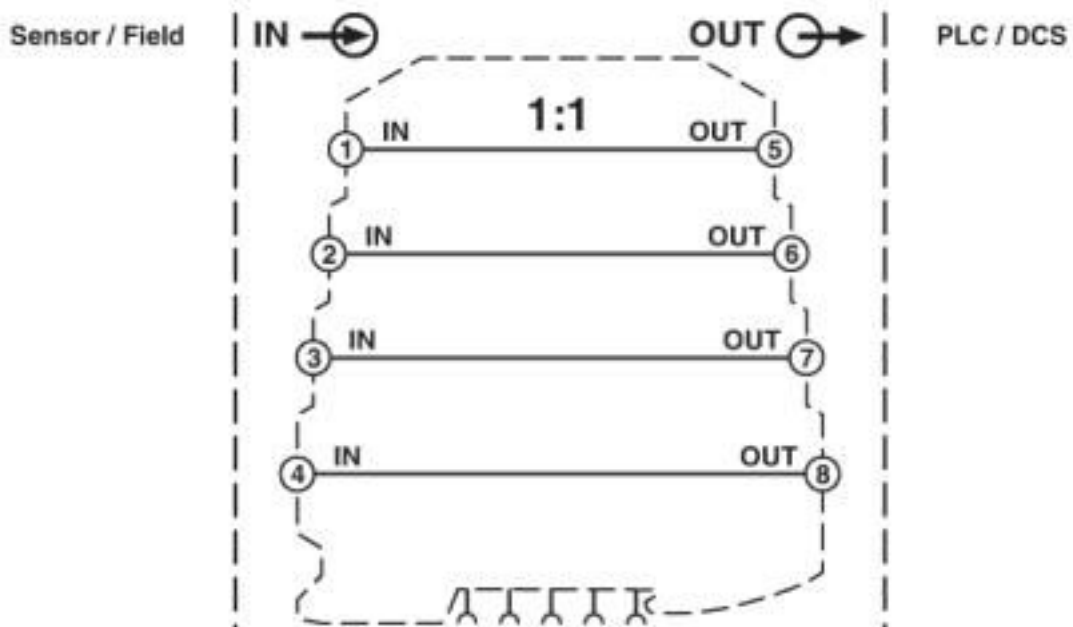
Designation	Conducted interferences
Standards/regulations	EN 61000-4-6
Evaluation criterion	A
Conformance	CE-compliant
ATEX	# II 3 G Ex nA IIC T4 Gc X
GL	GL EMC 2 D

Environmental Product Compliance

REACH SVHC	Lead 7439-92-1
China RoHS	Environmentally Friendly Use Period = 50 years
	For details about hazardous substances go to tab "Downloads", Category "Manufacturer's declaration"

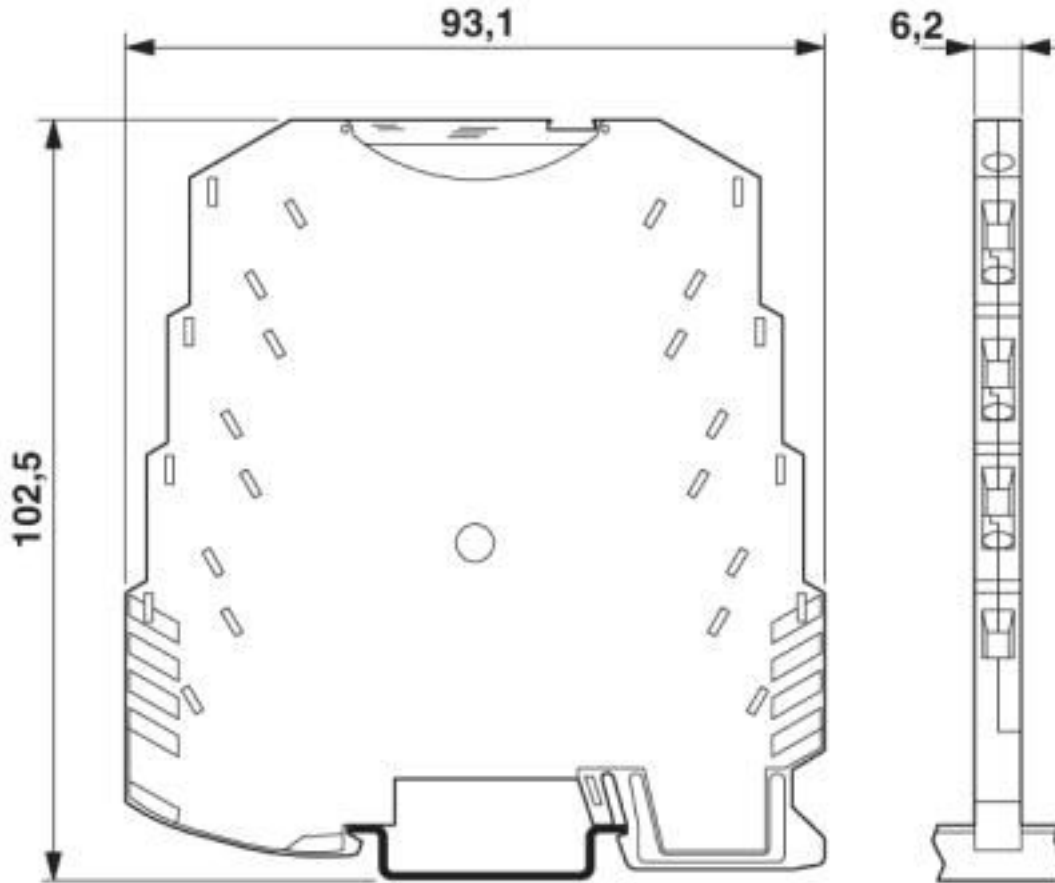
Drawings

Block diagram



Feed-through terminal block - MINI MCR-SL-TB - 2811420

Dimensional drawing



Classifications

eCl@ss

eCl@ss 10.0.1	27219290
eCl@ss 4.0	27210100
eCl@ss 4.1	27210100
eCl@ss 5.0	27210100
eCl@ss 5.1	27210100
eCl@ss 6.0	27141100
eCl@ss 7.0	27141120
eCl@ss 8.0	27219290
eCl@ss 9.0	27219290

ETIM

ETIM 2.0	EC000897
----------	----------

Feed-through terminal block - MINI MCR-SL-TB - 2811420

Classifications

ETIM

ETIM 3.0	EC000897
ETIM 4.0	EC000897
ETIM 5.0	EC000897
ETIM 6.0	EC000897
ETIM 7.0	EC000897

UNSPSC

UNSPSC 6.01	30211506
UNSPSC 7.0901	39121008
UNSPSC 11	39121008
UNSPSC 12.01	39121008
UNSPSC 13.2	39121410
UNSPSC 19.0	39121410

Approvals

Approvals

Approvals

DNV GL

Ex Approvals

ATEX / EAC Ex

Approval details

DNV GL		https://approvalfinder.dnvgl.com/	TAA000020N
--------	---	---	------------
