

## Surge protection device - LIT 4X1-24 - 2804649

Please be informed that the data shown in this PDF Document is generated from our Online Catalog. Please find the complete data in the user's documentation. Our General Terms of Use for Downloads are valid (<http://phoenixcontact.com/download>)



Surge protection in one-piece 6.2 mm wide DIN rail module for four conductors with common reference potential.

### Your advantages

- Can be used in binary, analog, and intrinsically safe circuits
- Protection of up to four signal wires over a design width of 6.2 mm



### Key Commercial Data

Packing unit	1 pc
GTIN	
GTIN	4046356428286
Weight per Piece (excluding packing)	64.000 g
Custom tariff number	85363010
Country of origin	Germany

### Technical data

#### Dimensions

Height	93.1 mm
Width	6.2 mm
Depth	102.5 mm (incl. DIN rail 7.5 mm)

#### Ambient conditions

Ambient temperature (operation)	-40 °C ... 80 °C
Ambient temperature (storage/transport)	-40 °C ... 80 °C
Altitude	≤ 2000 m (amsl (above mean sea level))

# Surge protection device - LIT 4X1-24 - 2804649

## Technical data

### Ambient conditions

Degree of protection	IP20
----------------------	------

### General

Housing material	PBT
Flammability rating according to UL 94	V-0
Color	anthracite grey RAL 7016
Mounting type	DIN rail: 35 mm
Type	DIN rail module, one-piece
Direction of action	Line-Earth Ground

### Protective circuit

IEC test classification	C1
	C2
	C3
	D1
Nominal voltage $U_N$	24 V DC
Maximum continuous voltage $U_C$	36 V DC
	25 V AC
Rated current	350 mA (40 °C)
Operating effective current $I_C$ at $U_C$	$\leq 2 \mu\text{A}$
Residual current $I_{PE}$	$\leq 8 \mu\text{A}$
Nominal discharge current $I_n$ (8/20) $\mu\text{s}$ (line-earth)	5 kA
Pulse discharge current $I_{imp}$ (10/350) $\mu\text{s}$ (line-earth)	500 A
	2 kA (in total)
Total discharge current $I_{total}$ (8/20) $\mu\text{s}$	20 kA
Max. discharge current $I_{max}$ (8/20) $\mu\text{s}$ maximum (line-earth)	10 kA
	20 kA (in total)
Nominal pulse current $I_{an}$ (10/1000) $\mu\text{s}$ (line-earth)	50 A
	200 A (in total)
Output voltage limitation at 1 kV/ $\mu\text{s}$ (line-earth) spike	$\leq 60 \text{ V}$
Residual voltage at $I_n$ (line-earth)	$\leq 50 \text{ V}$
Residual voltage with $I_{an}$ (10/1000) $\mu\text{s}$ (line-earth)	$\leq 60 \text{ V}$
Voltage protection level $U_p$ (line-earth)	$\leq 60 \text{ V}$ (C1 - 500 V / 250 A)
	$\leq 95 \text{ V}$ (C2 - 10 kV / 5 kA)
	$\leq 55 \text{ V}$ (C3 - 10 A)
	$\leq 55 \text{ V}$ (C3 - 50 A)
	$\leq 250 \text{ V}$ (D1 - 500 A)
Response time $t_A$ (line-earth)	$\leq 1 \text{ ns}$

## Surge protection device - LIT 4X1-24 - 2804649

### Technical data

#### Protective circuit

Input attenuation aE, asym.	typ. 0.3 dB (1 MHz / 50 Ω)
	typ. 0.2 dB (350 kHz / 150 Ω)
Cut-off frequency fg (3 dB), asym. (PE) in 50 Ohm system	typ. 6 MHz
Cut-off frequency fg (3 dB), asym. (PE) in 150 Ohm system	typ. 2 MHz
Capacity	≤ 1.3 nF (per channel)
Resistance per path	3.3 Ω ±20 %
Surge protection fault message	none
Max. required back-up fuse	315 mA (T)
Impulse durability (line-earth)	C1 - 500 V / 250 A
	C2 - 10 kV / 5 kA
	C3 - 50 A
	D1 - 500 A
Alternating current carrying capacity (line-earth)	5 A - 1 s

#### Connection data

Connection method	Screw connection
Screw thread	M3
Tightening torque	0.8 Nm
Stripping length	8 mm
Conductor cross section flexible	0.2 mm² ... 2.5 mm²
Conductor cross section solid	0.2 mm² ... 2.5 mm²
Conductor cross section AWG	24 ... 14

#### Connection, equipotential bonding

Connection method	DIN rail NS35
-------------------	---------------

#### Standards and Regulations

Standards/specifications	IEC 61643-21 A2:2012
	EN 61643-21 2001 + A1:2009 + A2:2013

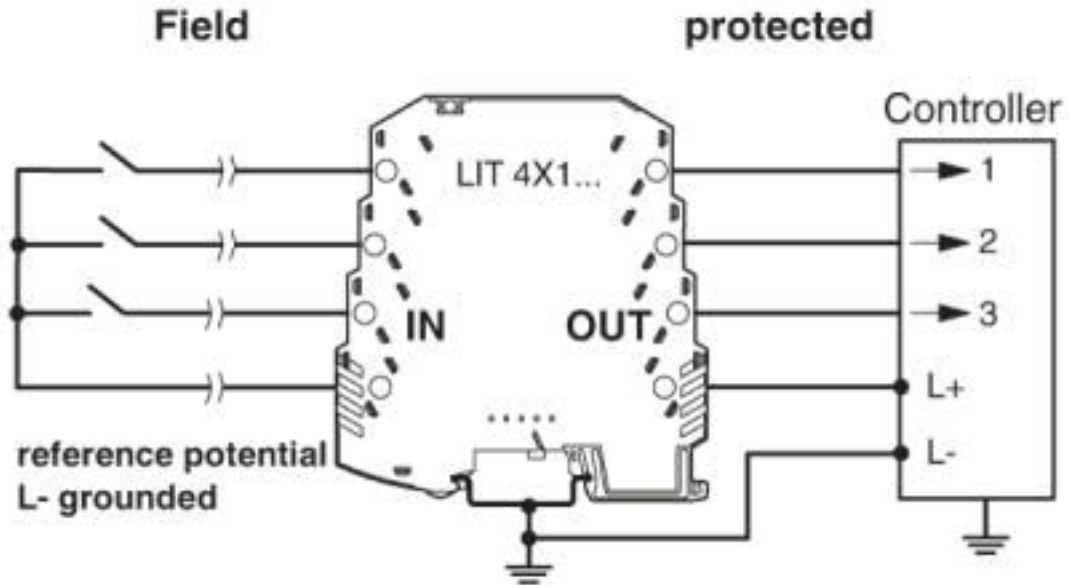
#### Environmental Product Compliance

REACH SVHC	Lead 7439-92-1
China RoHS	Environmentally Friendly Use Period = 50 years
	For details about hazardous substances go to tab "Downloads", Category "Manufacturer's declaration"

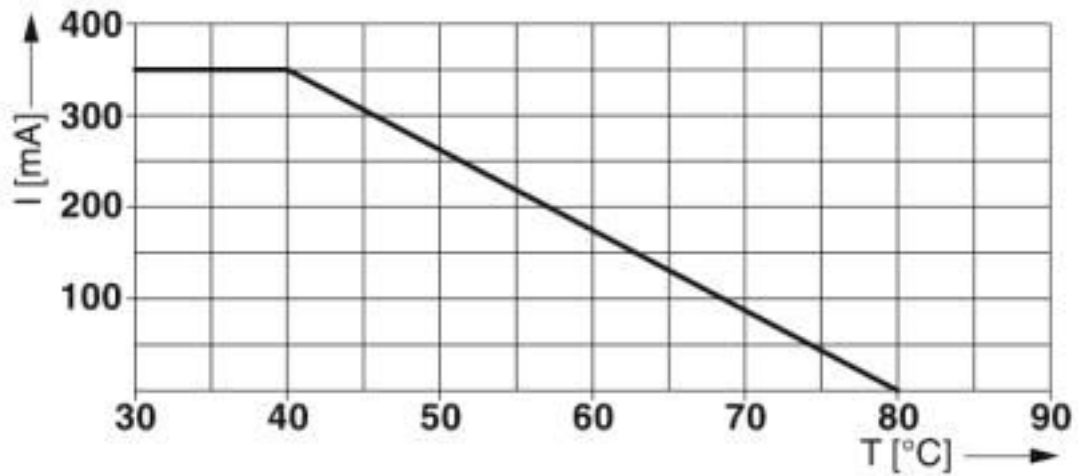
### Drawings

# Surge protection device - LIT 4X1-24 - 2804649

Application drawing

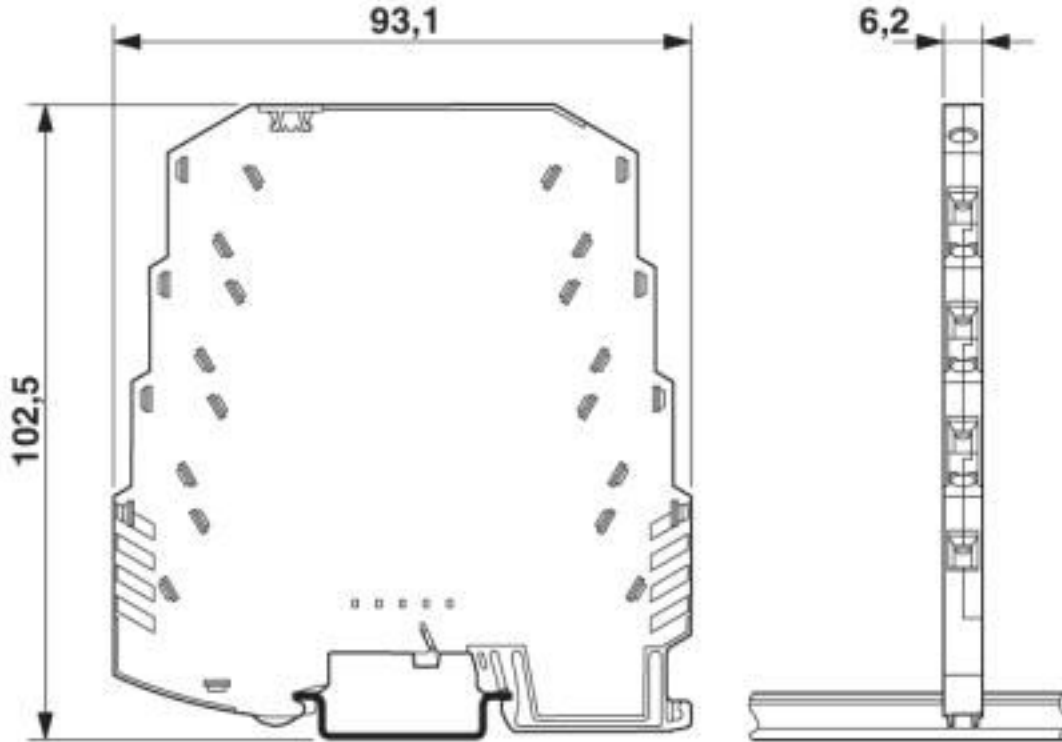


Diagram



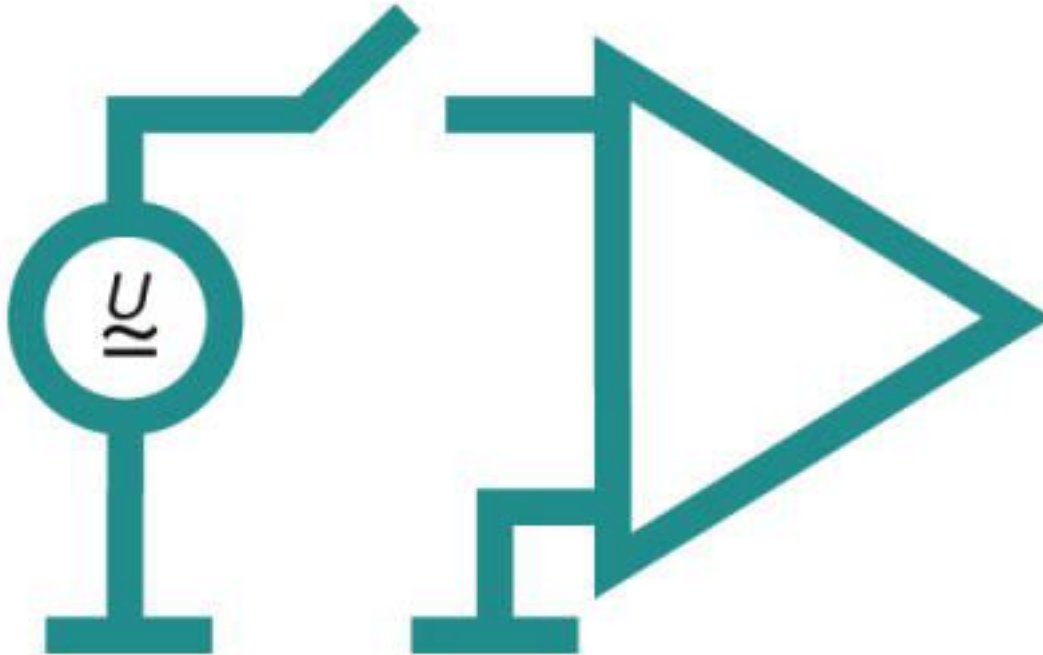
# Surge protection device - LIT 4X1-24 - 2804649

Dimensional drawing

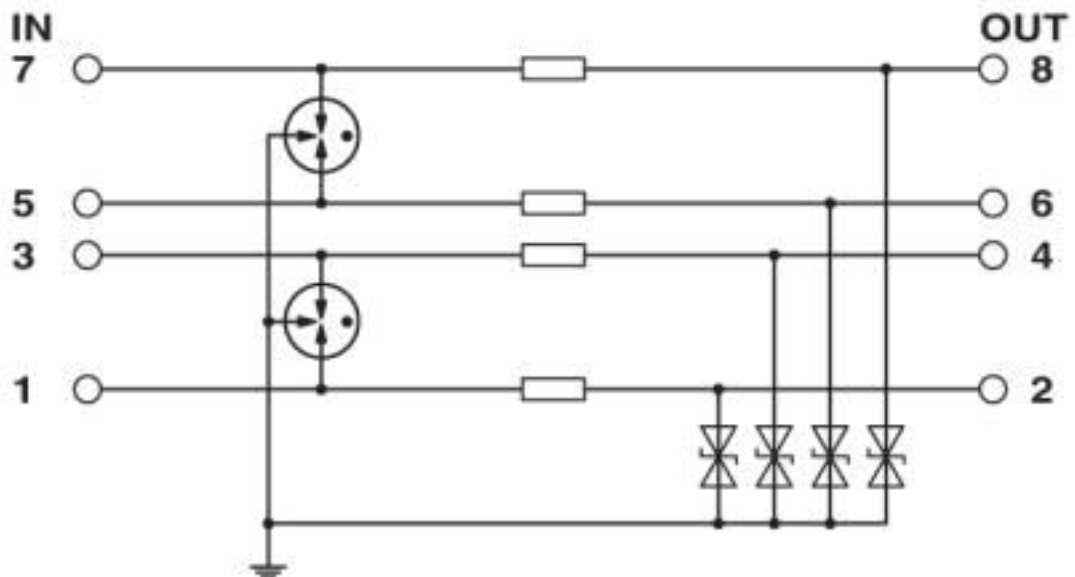


# Surge protection device - LIT 4X1-24 - 2804649

Pictogram



Circuit diagram



# Surge protection device - LIT 4X1-24 - 2804649

## Classifications

### eCl@ss

eCl@ss 10.0.1	27130807
eCl@ss 4.0	27130800
eCl@ss 4.1	27130800
eCl@ss 5.0	27130800
eCl@ss 5.1	27130800
eCl@ss 6.0	27130800
eCl@ss 7.0	27130807
eCl@ss 8.0	27130807
eCl@ss 9.0	27130807

### ETIM

ETIM 2.0	EC000943
ETIM 3.0	EC000943
ETIM 4.0	EC000943
ETIM 5.0	EC000943
ETIM 6.0	EC000943
ETIM 7.0	EC000943

### UNSPSC

UNSPSC 6.01	30212010
UNSPSC 7.0901	39121610
UNSPSC 11	39121610
UNSPSC 12.01	39121610
UNSPSC 13.2	39121620
UNSPSC 18.0	39121620
UNSPSC 19.0	39121620
UNSPSC 20.0	39121620
UNSPSC 21.0	39121620

## Approvals

### Approvals

---

Approvals

DNV GL / UL Listed / EAC / EAC

---

Ex Approvals

# Surge protection device - LIT 4X1-24 - 2804649

## Approvals

### Approval details

DNV GL		<a href="https://approvalfinder.dnvgl.com/">https://approvalfinder.dnvgl.com/</a>	TAE00001N8
--------	--	---	------------

UL Listed		<a href="http://database.ul.com/cgi-bin/XYV/template/LISEXT/1FRAME/index.htm">http://database.ul.com/cgi-bin/XYV/template/LISEXT/1FRAME/index.htm</a>	FILE E 138168
-----------	--	---	---------------

EAC			EAC-Zulassung
-----	--	--	---------------

EAC			RU C- DE.A*30.B01561
-----	--	--	-------------------------

## Accessories

### Accessories

#### Terminal marking

##### Marker for terminal blocks - UC-TM 6 - 0818085



Marker for terminal blocks, Sheet, white, unlabeled, can be labeled with: BLUEMARK ID COLOR, BLUEMARK ID, BLUEMARK CLED, PLOTMARK, CMS-P1-PLOTTER, mounting type: snap into tall marker groove, for terminal block width: 6.2 mm, lettering field size: 5.6 x 10.5 mm, Number of individual labels: 80

##### Marker for terminal blocks - UC-TM 6 OG - 0818328



Marker for terminal blocks, Sheet, orange, unlabeled, can be labeled with: BLUEMARK ID COLOR, BLUEMARK ID, BLUEMARK CLED, PLOTMARK, CMS-P1-PLOTTER, mounting type: snap into tall marker groove, for terminal block width: 6.2 mm, lettering field size: 5.6 x 10.5 mm, Number of individual labels: 80



## Surge protection device - LIT 4X1-24 - 2804649

### Accessories

#### Marker for terminal blocks - UC-TM 6 YE - 0818331



Marker for terminal blocks, Sheet, yellow, unlabeled, can be labeled with: BLUEMARK ID COLOR, BLUEMARK ID, BLUEMARK CLED, PLOTMARK, CMS-P1-PLOTTER, mounting type: snap into tall marker groove, for terminal block width: 6.2 mm, lettering field size: 5.6 x 10.5 mm, Number of individual labels: 80

---

#### Marker for terminal blocks - UC-TM 6 BU - 0818344



Marker for terminal blocks, Sheet, blue, unlabeled, can be labeled with: BLUEMARK ID COLOR, BLUEMARK ID, BLUEMARK CLED, PLOTMARK, CMS-P1-PLOTTER, mounting type: snap into tall marker groove, for terminal block width: 6.2 mm, lettering field size: 5.6 x 10.5 mm, Number of individual labels: 80

---

#### Marker for terminal blocks - UC-TM 6 RD - 0818357



Marker for terminal blocks, Sheet, red, unlabeled, can be labeled with: BLUEMARK ID COLOR, BLUEMARK ID, BLUEMARK CLED, PLOTMARK, CMS-P1-PLOTTER, mounting type: snap into tall marker groove, for terminal block width: 6.2 mm, lettering field size: 5.6 x 10.5 mm, Number of individual labels: 80

---

#### Marker for terminal blocks - UC-TM 6 GN - 0818360



Marker for terminal blocks, Sheet, green, unlabeled, can be labeled with: BLUEMARK ID COLOR, BLUEMARK ID, BLUEMARK CLED, PLOTMARK, CMS-P1-PLOTTER, mounting type: snap into tall marker groove, for terminal block width: 6.2 mm, lettering field size: 5.6 x 10.5 mm, Number of individual labels: 80

---