

Surge protection device - CN-UB-70DC-6-SB - 2803153

Please be informed that the data shown in this PDF Document is generated from our Online Catalog. Please find the complete data in the user's documentation. Our General Terms of Use for Downloads are valid (<http://phoenixcontact.com/download>)




Attachment plug with surge protection for coaxial signal interfaces. Connection: N connector, male/female

Your advantages

- Mounting plate enables mounting, e.g., in a control cabinet



Key Commercial Data

Packing unit	1 pc
GTIN	 4 046356 293204
GTIN	4046356293204
Weight per Piece (excluding packing)	100.000 g
Custom tariff number	85363010
Country of origin	United States

Technical data

Dimensions

Height	24 mm
Width	24 mm
Depth	50 mm

Ambient conditions

Ambient temperature (operation)	-40 °C ... 90 °C
Degree of protection	IP68
	IP68

General

Surge protection device - CN-UB-70DC-6-SB - 2803153

Technical data

General

Housing material	Brass (CuZn)
Color	nickel
Standards for clearances and creepage distances	DIN VDE 0110-1
	IEC 60664-1
Mounting type	Connection-specific intermediate plugging
Type	Attachment plug
Direction of action	Line-Shield/Earth Ground

Additional descriptions

Note	To meet the discharge conditions for DC voltages, please note the following information: "The surge protective device should be used together with a transmitter unit, which shuts down in the event of a short-circuit."
------	---

Protective circuit

IEC test classification	C2
	C3
	D1
VDE requirement class	C2
	C3
	D1
Maximum continuous voltage U_C	70 V DC
	50 V AC
Maximum continuous voltage U_C (line-earth)	70 V DC
	50 V AC
Rated current	10 A
Operating effective current I_C at U_C	$\leq 1 \mu A$
Nominal discharge current I_n (8/20) μs	5 kA
Nominal discharge current I_n (8/20) μs (line-earth)	5 kA
Nominal discharge current I_n (8/20) μs (line-shield)	5 kA
Total discharge current I_{total} (8/20) μs	5 kA
Max. discharge current I_{max} (8/20) μs maximum (line-earth)	10 kA
Max. discharge current I_{max} (8/20) μs maximum (line-shield)	10 kA
Nominal pulse current I_{an} (10/1000) μs (line-shield)	100 A
Impulse discharge current (10/350) μs , peak value I_{imp}	1 kA
Output voltage limitation at 1 kV/ μs (line-earth) spike	$\leq 650 V$
Output voltage limitation at 1 kV/ μs (line-shield) spike	$\leq 650 V$
Output voltage limitation at 1 kV/ μs (line-earth) static	$\leq 650 V$
Output voltage limitation at 1 kV/ μs (line-shield) static	$\leq 650 V$

Surge protection device - CN-UB-70DC-6-SB - 2803153

Technical data

Protective circuit

Voltage protection level U_p (line-earth)	≤ 800 V (C2 - 4 kV / 2 kA)
	≤ 1 kV (C2 - 10 kV / 5 kA)
Voltage protection level U_p (line-shield)	≤ 800 V (C2 - 4 kV / 2 kA)
	≤ 1 kV (C2 - 10 kV / 5 kA)
Response time t_A (line-earth)	≤ 100 ns
Response time t_A (line-shield)	≤ 100 ns
Input attenuation aE, asym.	0.1 dB (≤ 6 GHz)
Cut-off frequency f_g (3 dB), asym. (shield) in 50 Ohm system	> 6 GHz
Frequency range	0 Hz ... 6 GHz
Standing wave ratio SWR in a 50 Ω system	typ. 1.15 (≤ 6 GHz)
Permissible HF power P_{max} at VSWR = xx (50 ohm system)	30 W (VSWR = 1.15)
Capacity (line-earth)	typ. 1.5 pF
Capacity asymmetrical (shield)	typ. 1.5 pF
Surge protection fault message	none
Impulse durability (line-earth)	C2 - 10 kV / 5 kA
	C3 - 100 A
	D1 - 1 kA
Impulse durability (line-shield)	C2 - 10 kV/5 kA
	C3 - 100 A
	D1 - 1 kA
Alternating current carrying capacity (line-shield)	5 A - 1 s

Connection data

Connection method	N connector 50 Ω
Connection method IN	N connector, male
Connection method OUT	N connector, female

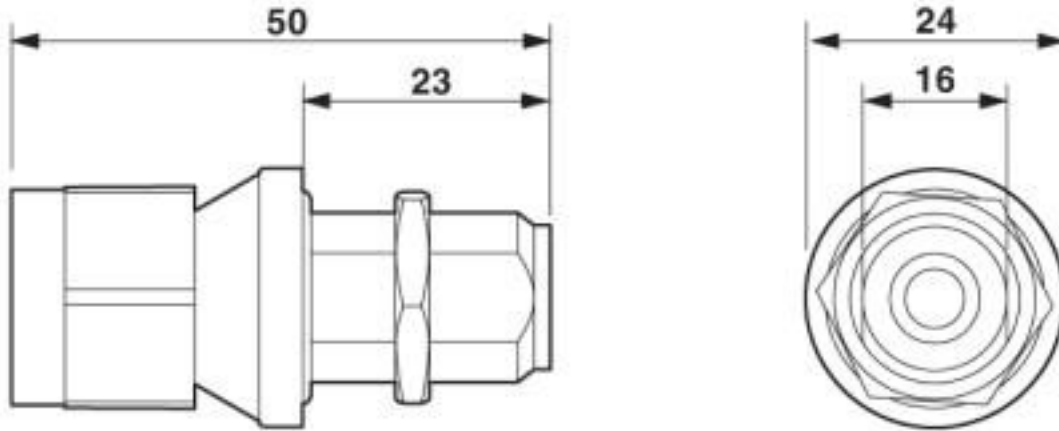
Standards and Regulations

Standards/regulations	IEC 61643-21
Standards/specifications	IEC 61643-21 2000

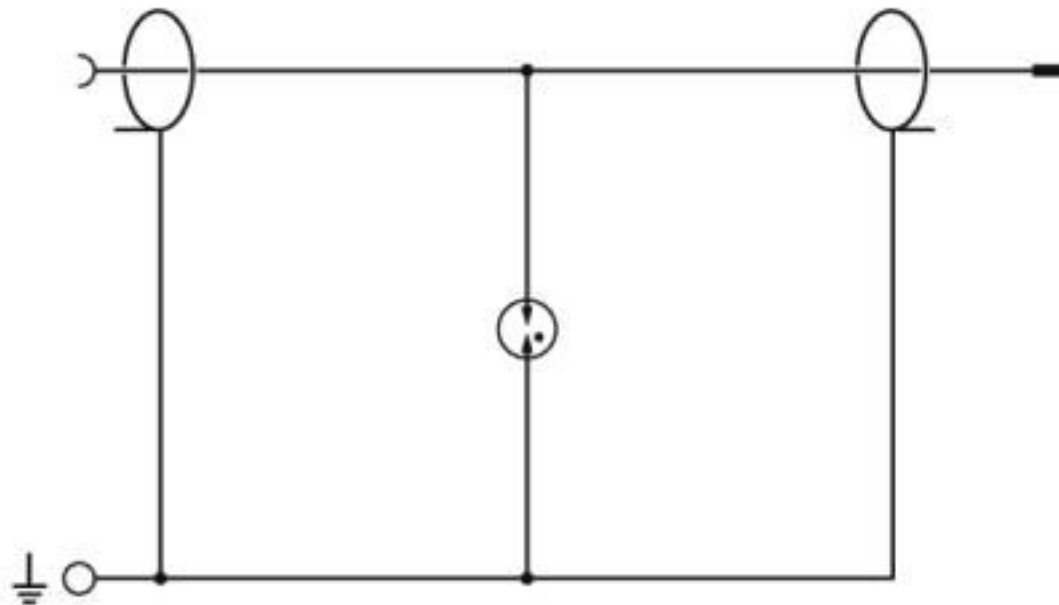
Drawings

Surge protection device - CN-UB-70DC-6-SB - 2803153

Dimensional drawing



Circuit diagram



Classifications

eCl@ss

eCl@ss 10.0.1	27130807
eCl@ss 4.0	27130800
eCl@ss 4.1	27130800
eCl@ss 5.0	27130800
eCl@ss 5.1	27130800

Surge protection device - CN-UB-70DC-6-SB - 2803153

Classifications

eCl@ss

eCl@ss 6.0	27130800
eCl@ss 7.0	27130807
eCl@ss 8.0	27130807
eCl@ss 9.0	27130807

ETIM

ETIM 2.0	EC000943
ETIM 3.0	EC000943
ETIM 4.0	EC000943
ETIM 5.0	EC000943
ETIM 6.0	EC000943
ETIM 7.0	EC000943

UNSPSC

UNSPSC 6.01	30212010
UNSPSC 7.0901	39121610
UNSPSC 11	39121610
UNSPSC 12.01	39121610
UNSPSC 13.2	39121620
UNSPSC 18.0	39121620
UNSPSC 19.0	39121620
UNSPSC 20.0	39121620
UNSPSC 21.0	39121620

Approvals

Approvals

Approvals


EAC / EAC


Ex Approvals

Approval details

Surge protection device - CN-UB-70DC-6-SB - 2803153

Approvals

EAC		EAC-Zulassung
-----	---	---------------

EAC		RU C- DE.A*30.B01561
-----	---	-------------------------

Accessories

Accessories

Assembly adapter

Mounting plate - CN-UB/MP - 2818135



Tongue for attaching the CN-UB..., to housing panels, for example.

Mounting plate - CN-UB/MP-90DEG-50 - 2803137



Angled bracket for individually fixing CN-UB... to housing panels, for example.

Additional products

Mounting plate - CN-UB/MP - 2818135



Tongue for attaching the CN-UB..., to housing panels, for example.