

Combination type 1/2 protective device - FLT 50 N/PE CTRL-4.0 - 2801637


Please be informed that the data shown in this PDF Document is generated from our Online Catalog. Please find the complete data in the user's documentation. Our General Terms of Use for Downloads are valid (<http://phoenixcontact.com/download>)



Lightning current arrester with encapsulated N-PE spark gap and ignition electronics, 1-channel. Voltage protection level: 4 kV Housing width: 17.5 mm (1 pitch)



Key Commercial Data

Packing unit	1 pc
GTIN	 4 046356 909471
GTIN	4046356909471
Weight per Piece (excluding packing)	180.000 g
Custom tariff number	85363030
Country of origin	Germany

Technical data

Dimensions

Height	88.6 mm
Width	17.6 mm
Depth	66.2 mm
Horizontal pitch	1 Div.

Ambient conditions

Degree of protection	IP20 (only when all terminal points are used)
Ambient temperature (operation)	-40 °C ... 85 °C
Ambient temperature (storage/transport)	-40 °C ... 85 °C
Altitude	≤ 2000 m (amsl (above mean sea level))
Permissible humidity (operation)	5 % ... 95 %

Combination type 1/2 protective device - FLT 50 N/PE CTRL-4.0 - 2801637

Technical data

General

IEC test classification	I
	T1
EN type	T1
IEC power supply system	TT
	TN-S
Mode of protection	N-PE
Mounting type	DIN rail: 35 mm
Color	jet black RAL 9005
Housing material	PA 6.6
Degree of pollution	2
Flammability rating according to UL 94	V-0
Type	DIN rail module, one-piece
Number of positions	1
Surge protection fault message	none

Additional descriptions

Note	100 % lightning impulse sparkover voltage (1.2/50) $\mu\text{s} \leq 1.5 \text{ kV}$
------	--

Protective circuit

Nominal voltage U_N	230/400 V AC (TN - only N-PE)
	230/400 V AC (TT - only N-PE)
Nominal frequency f_N	50 Hz (60 Hz)
Maximum continuous voltage U_C	260 V AC
Rated load current I_L	80 A
Residual current I_{PE}	$\leq 0.5 \text{ mA}$
Standby power consumption P_C	$\leq 130 \text{ mVA}$
Nominal discharge current I_n (8/20) μs	50 kA
Impulse discharge current (10/350) μs , charge	25 As
Impulse discharge current (10/350) μs , specific energy	625 kJ/ Ω
Impulse discharge current (10/350) μs , peak value I_{imp}	50 kA
Follow current interrupt rating I_{fi}	100 A (260 V AC)
Voltage protection level U_p	$\leq 4 \text{ kV}$
Front of wave sparkover voltage at 6 kV (1.2/50) μs	$\leq 4 \text{ kV}$
TOV behavior at U_T	1200 V AC (200 ms / withstand mode)
Response time t_A	$\leq 100 \text{ ns}$

Connection data

Connection method	Screw terminal blocks
-------------------	-----------------------

Combination type 1/2 protective device - FLT 50 N/PE CTRL-4.0 - 2801637

Technical data

Connection data

Screw thread	M5
Tightening torque	4.5 Nm
Stripping length	14.5 mm
Conductor cross section flexible	2.5 mm ² ... 25 mm ²
Conductor cross section solid	2.5 mm ² ... 35 mm ²
Conductor cross section AWG	6 ... 2

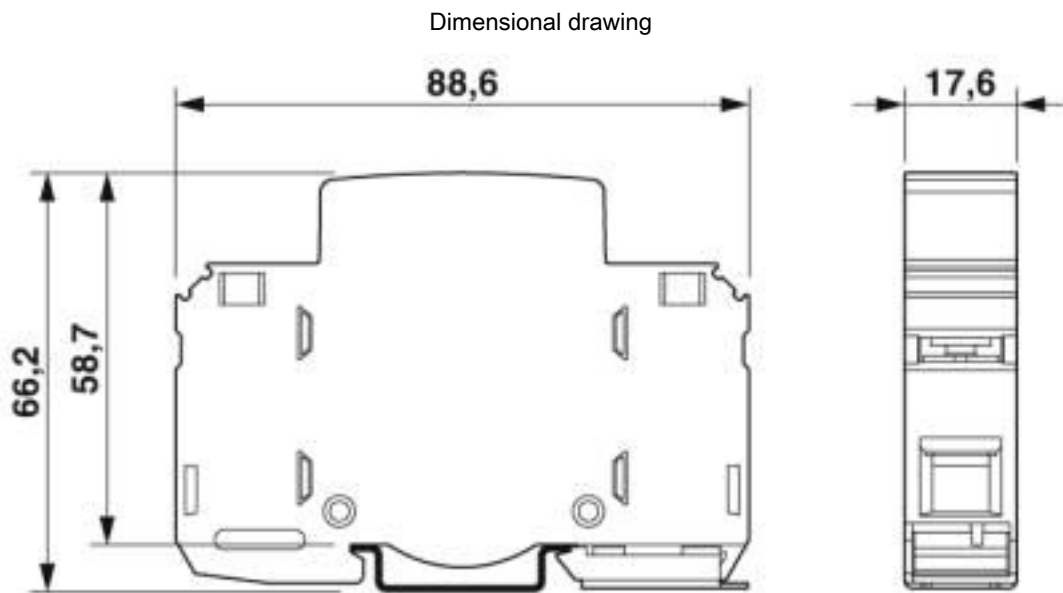
Standards and Regulations

Standards/regulations	IEC 61643-11 2011
	EN 61643-11 2012

Environmental Product Compliance

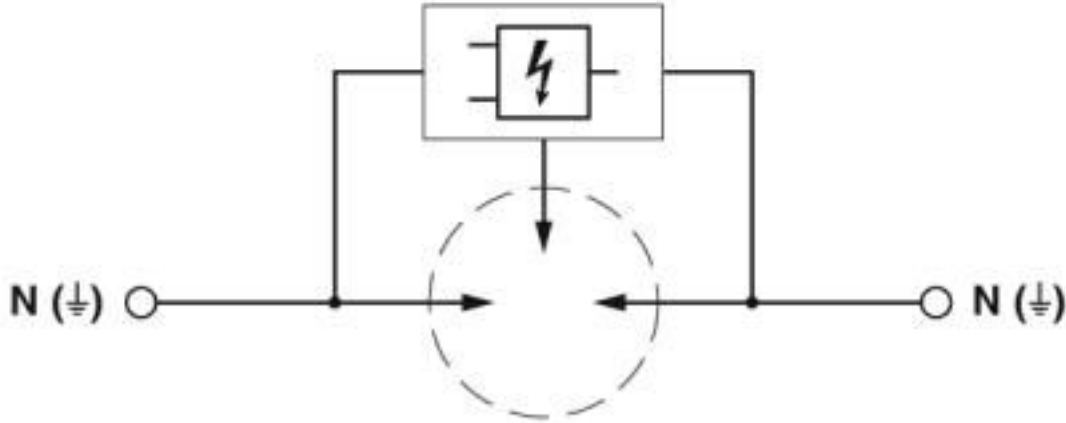
China RoHS	Environmentally friendly use period: unlimited = EFUP-e
	No hazardous substances above threshold values

Drawings



Combination type 1/2 protective device - FLT 50 N/PE CTRL-4.0 - 2801637

Circuit diagram



Classifications

eCl@ss

eCl@ss 10.0.1	27130802
eCl@ss 4.0	27130800
eCl@ss 4.1	27130800
eCl@ss 5.0	27130800
eCl@ss 5.1	27130800
eCl@ss 6.0	27130800
eCl@ss 7.0	27130802
eCl@ss 8.0	27130802
eCl@ss 9.0	27130802

ETIM

ETIM 3.0	EC000381
ETIM 4.0	EC000381
ETIM 5.0	EC000381
ETIM 6.0	EC000381
ETIM 7.0	EC000381

UNSPSC

UNSPSC 6.01	30212010
UNSPSC 7.0901	39121610
UNSPSC 11	39121610
UNSPSC 12.01	39121610
UNSPSC 13.2	39121620
UNSPSC 18.0	39121620

Combination type 1/2 protective device - FLT 50 N/PE CTRL-4.0 - 2801637

Classifications

UNSPSC

UNSPSC 19.0	39121620
UNSPSC 20.0	39121620
UNSPSC 21.0	39121620

Accessories

Accessories

Device marking

Zack marker strip - ZBN 18:UNBEDRUCKT - 2809128



Zack marker strip, Strip, white, unlabeled, can be labeled with: CMS-P1-PLOTTER, PLOTMARK, mounting type: snap into tall marker groove, for terminal block width: 18 mm, lettering field size: 18 x 5 mm, Number of individual labels: 5

End block

End clamp - CLIPFIX 35 - 3022218



Quick mounting end clamp for NS 35/7,5 DIN rail or NS 35/15 DIN rail, with marking option, width: 9.5 mm, color: gray

Labeled device marker

Marker for terminal blocks - ZBN 18,LGS:ERDE - 2749589



Marker for terminal blocks, Strip, white, labeled, horizontal: Grounding symbol, mounting type: snap into tall marker groove, for terminal block width: 18 mm, lettering field size: 18 x 5 mm, Number of individual labels: 5

Combination type 1/2 protective device - FLT 50 N/PE CTRL-4.0 - 2801637

Accessories

Marker for terminal blocks - ZBN 18,LGS:L1-N,ERDE - 2749576



Marker for terminal blocks, Strip, white, labeled, horizontal: L1, L2, L3, N, GND, mounting type: snap into tall marker groove, for terminal block width: 18 mm, lettering field size: 18 x 5 mm, Number of individual labels: 5

Marker pen

Marker pen - B-STIFT - 1051993



Marker pen, for manual labeling of unprinted Zack strips, smear-proof and waterproof, line thickness 0.5 mm