

Inline function terminal - IB IL MP-BUS-PAC - 2702921

Please be informed that the data shown in this PDF Document is generated from our Online Catalog. Please find the complete data in the user's documentation. Our General Terms of Use for Downloads are valid (<http://phoenixcontact.com/download>)



Inline, MP-Bus master terminal for connecting MP-Bus devices, transmission speed in the local bus: 500 kbps, degree of protection: IP20, including Inline connector and marking field

Product Description

Only use this terminal block in conjunction with controllers from Phoenix Contact.

The terminal is designed for use within an Inline station.

It enables the integration of a subordinate MP-Bus in the Inline station.


Within the Inline station, the terminal acts as a master for the subordinate MP-Bus.

The MP-Bus is a multi-point bus. Developed by BELIMO Automation AG (Switzerland), it replaces the traditional 0 V to 10 V interface for actuators in building automation. The MP-Bus reduces wiring costs and offers a feedback channel for sensor and status information. Bus and supply cables share a standard installation cable.

Your advantages

- MP-Bus master for the connection of up to 16 MP-Bus devices

Key Commercial Data

Packing unit	1
GTIN	 4 055626 745749
GTIN	4055626745749
Custom tariff number	85389099

Technical data

Note

Utilization restriction	EMC: class A product, see manufacturer's declaration in the download area
-------------------------	---

Dimensions

Width	12.2 mm
Height	119.8 mm

Inline function terminal - IB IL MP-BUS-PAC - 2702921

Technical data

Dimensions

Depth	71.5 mm
Note on dimensions	Housing dimensions

Connection data

Designation	Inline connector
Connection method	Spring-cage connection
Conductor cross section solid min.	0.08 mm ²
Conductor cross section solid max.	1.5 mm ²
Conductor cross section flexible min.	0.08 mm ²
Conductor cross section flexible max.	1.5 mm ²
Conductor cross section AWG min.	28
Conductor cross section AWG max.	16
Stripping length	8 mm

Ambient conditions

Ambient temperature (operation)	-25 °C ... 55 °C
Ambient temperature (storage/transport)	-25 °C ... 85 °C
Permissible humidity (operation)	10 % ... 95 % (non-condensing)
Permissible humidity (storage/transport)	10 % ... 95 % (non-condensing)
Air pressure (operation)	70 kPa ... 106 kPa (up to 3000 m above sea level)
Air pressure (storage/transport)	70 kPa ... 106 kPa (up to 3000 m above sea level)
Degree of protection	IP20

General

Mounting type	DIN rail
Color	green
Net weight	61 g
Note on weight specifications	with connector

Interfaces

Designation	Inline local bus
No. of channels	2
Connection method	Inline data jumper
Transmission speed	500 kbps
Interface	MP-Bus
Connection method	Inline connector
Note on the connection method	Signal connection: 2-wire, 3-wire with supply voltage

Inline potentials

Designation	Communications power (U _L)
-------------	--

Inline function terminal - IB IL MP-BUS-PAC - 2702921

Technical data

Inline potentials

Supply voltage	7.5 V DC (via voltage jumper)
Current consumption	typ. 70 mA
	max. 90 mA
Power consumption	max. 675 mW
	typ. 525 mW
Designation	Main circuit supply (U_M)
Supply voltage	24 V DC (via voltage jumper)
Supply voltage range	19.2 V DC ... 30 V DC (including all tolerances, including ripple)
Current consumption	typ. 8 mA
	max. 20 mA
Designation	Segment circuit supply (U_S)
Supply voltage	24 V DC (via voltage jumper)
Supply voltage range	19.2 V DC ... 30 V DC (including all tolerances, including ripple)
Current consumption	max. 8 A

Electrical isolation

Test section	MP-Bus/7.5 V supply (bus logic) 500 V AC 50 Hz 1 min.
	MP-Bus/functional ground 500 V AC 50 Hz 1 min.
	7.5 V supply (bus logics) / functional earth ground 500 V AC 50 Hz 1 min.
	24 V supply (U_M , U_S) /functional earth ground 500 V AC 50 Hz 1 min.

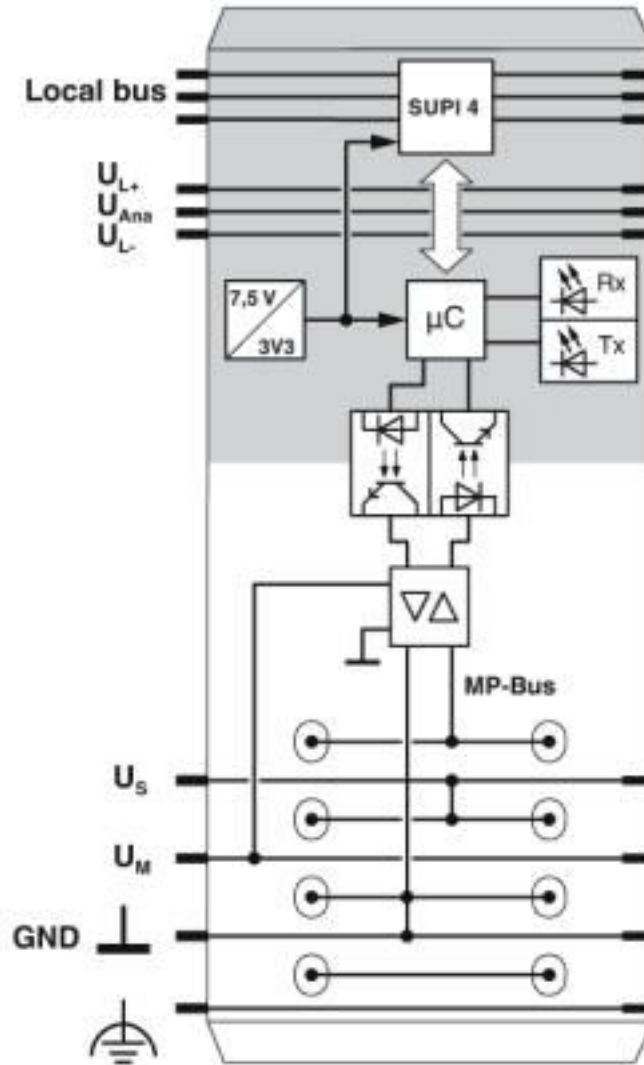
Standards and Regulations

Protection class	III (IEC 61140, EN 61140, VDE 0140-1)
------------------	---------------------------------------

Drawings

Inline function terminal - IB IL MP-BUS-PAC - 2702921

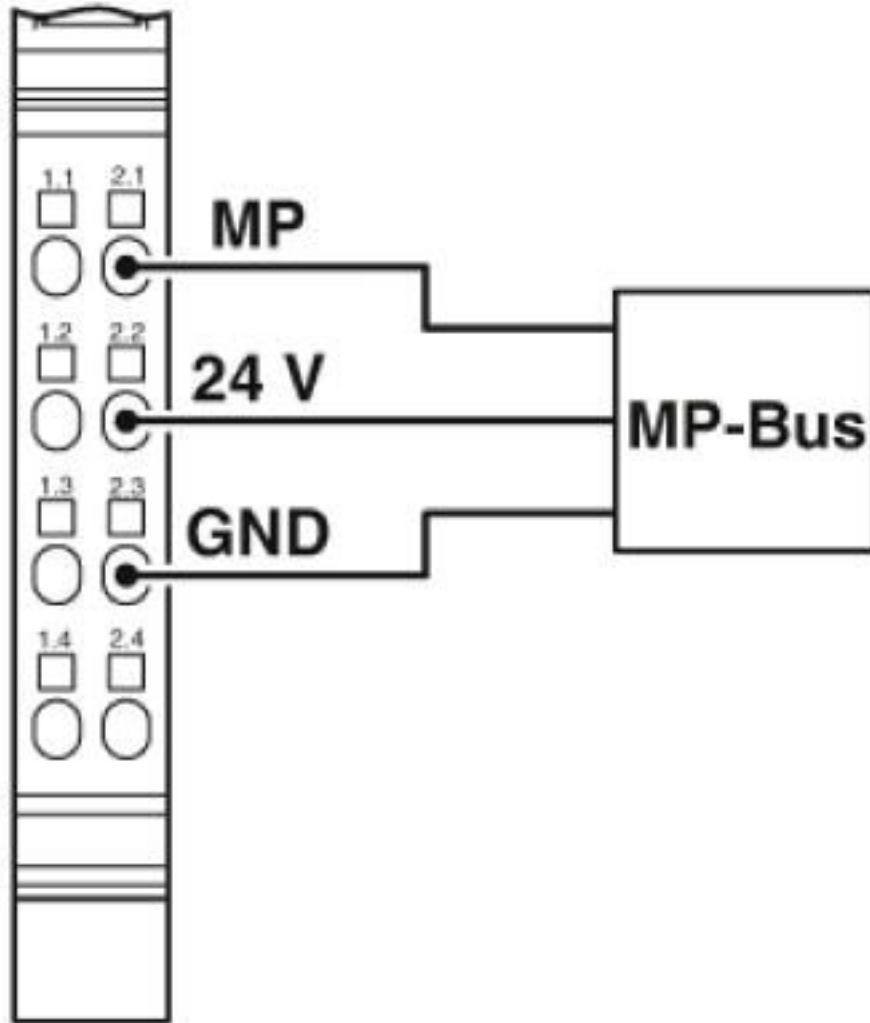
Block diagram



Internal wiring of the terminal points

Inline function terminal - IB IL MP-BUS-PAC - 2702921

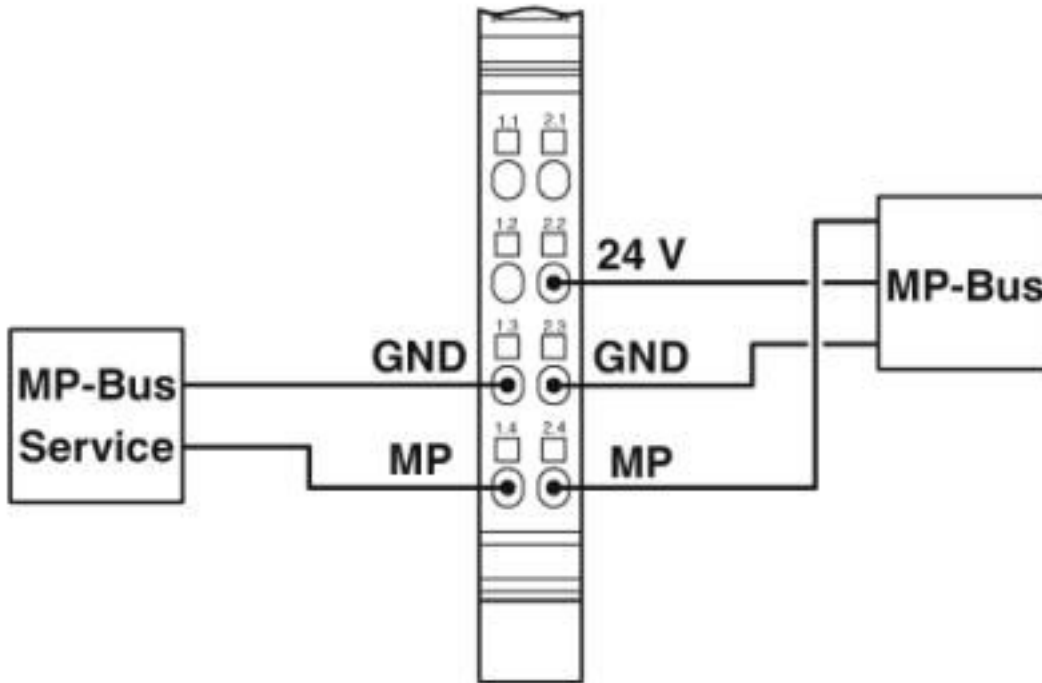
Connection diagram



Connection of the MP-Bus

Inline function terminal - IB IL MP-BUS-PAC - 2702921

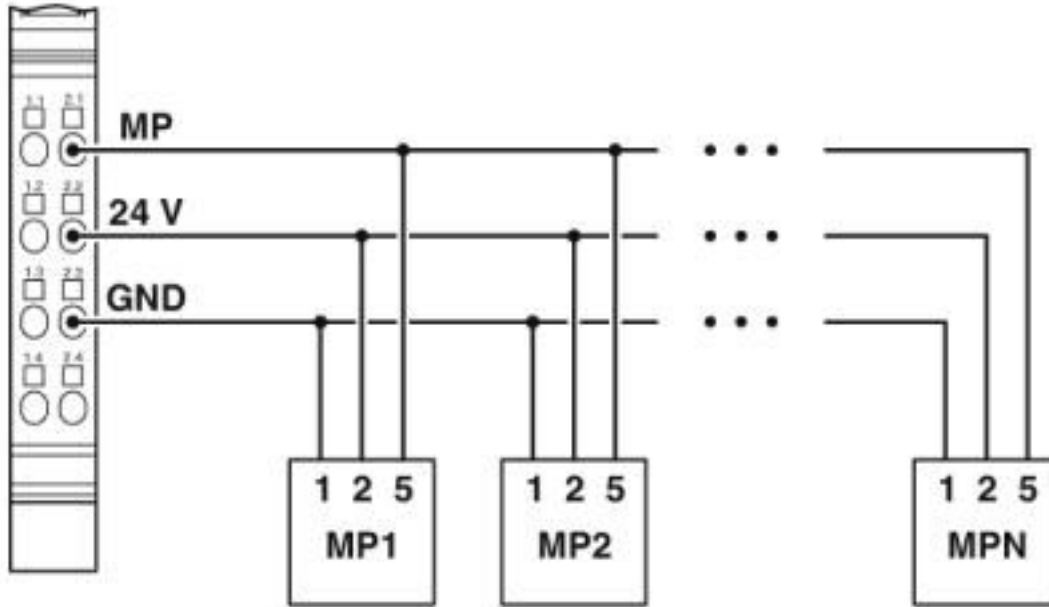
Connection diagram



Service port

Inline function terminal - IB IL MP-BUS-PAC - 2702921

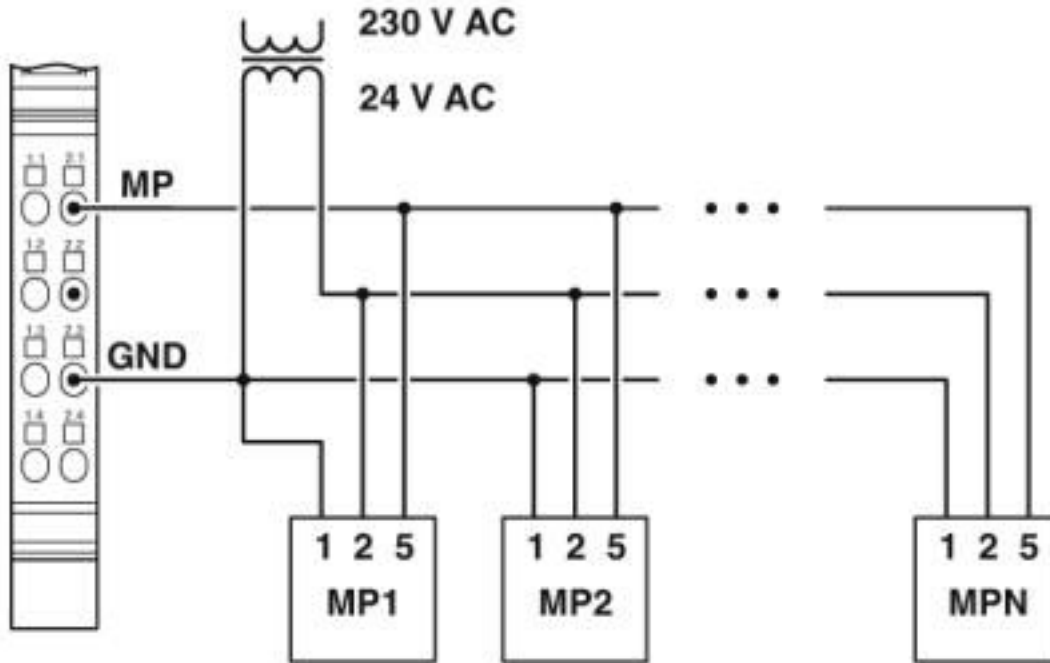
Connection diagram



Central power supply from U_s

Inline function terminal - IB IL MP-BUS-PAC - 2702921

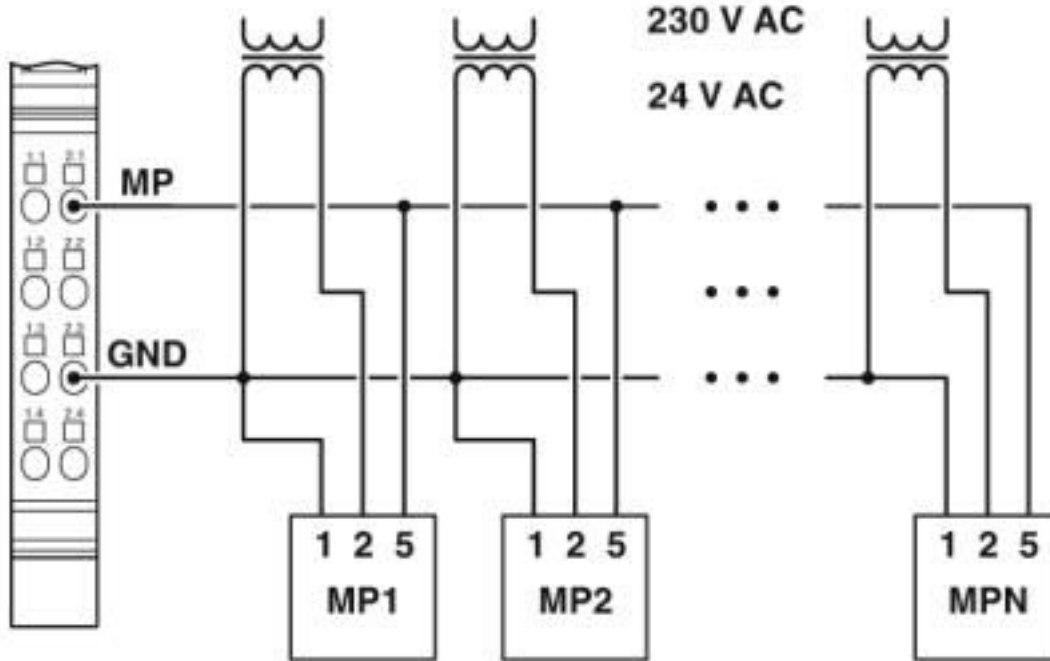
Connection diagram



Central power supply from external 24 V supply

Inline function terminal - IB IL MP-BUS-PAC - 2702921

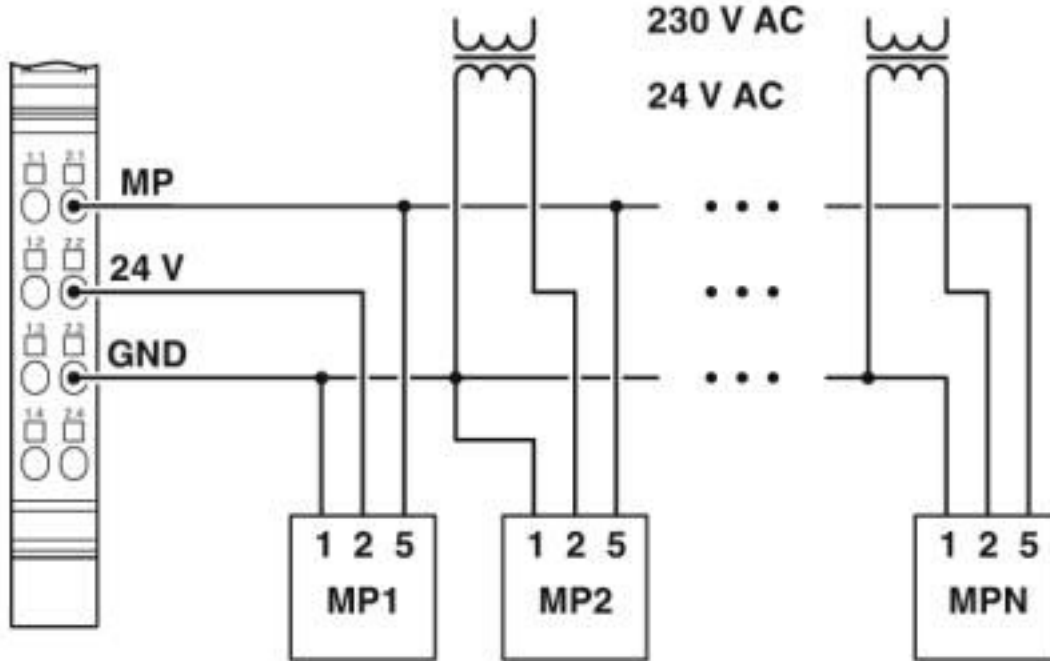
Connection diagram



Decentralized power supply from external 24 V supplies

Inline function terminal - IB IL MP-BUS-PAC - 2702921

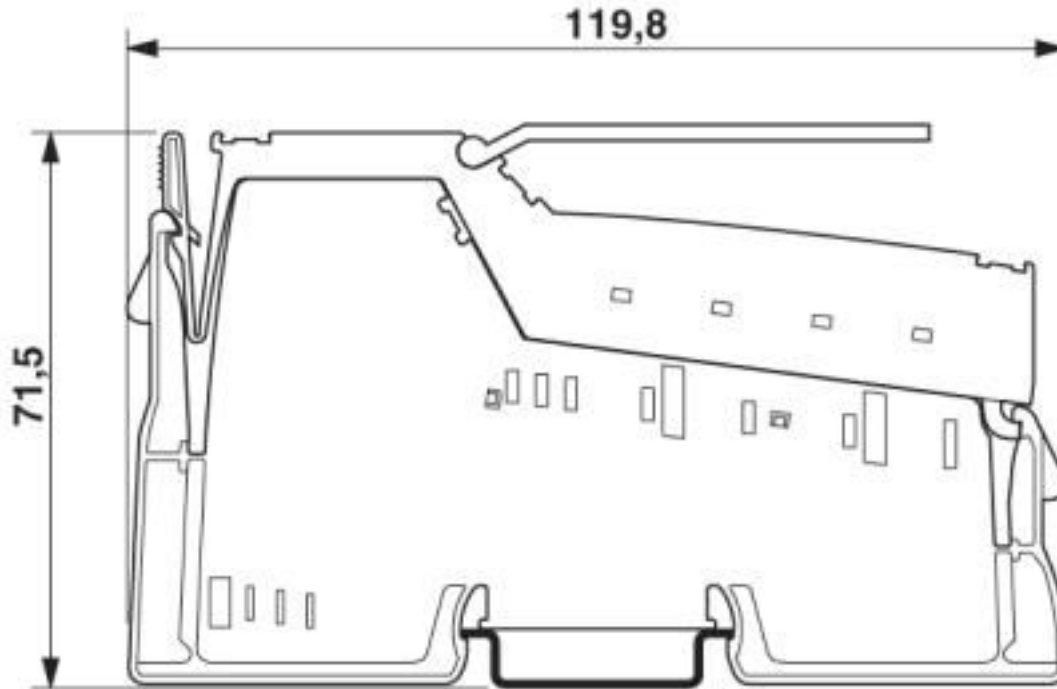
Connection diagram



Mixed power supply

Inline function terminal - IB IL MP-BUS-PAC - 2702921

Dimensional drawing



Classifications

eCl@ss

eCl@ss 10.0.1	27242605
eCl@ss 8.0	27242605
eCl@ss 9.0	27242605

ETIM

ETIM 5.0	EC001601
ETIM 6.0	EC001601
ETIM 7.0	EC001601

Accessories

Accessories

Labeling panel

Inline function terminal - IB IL MP-BUS-PAC - 2702921

Accessories

Labeling field - IB IL FIELD 2 - 2727501

Labeling field, width: 12.2 mm



Plug

Inline connector - IB IL SCN-8 - 2726337

Connector, for digital 1, 2 or 8-channel Inline terminals



Terminal marking

Insert strip - ESL 62X10 - 0809492

Insert strip, Sheet, white, unlabeled, can be labeled with: Office printing systems: Laser printer, mounting type: insert, lettering field size: 62 x 10 mm, Number of individual labels: 72

