

## Branch terminal - IBS IL 24 RB-T-XC-PAC - 2701151

Please be informed that the data shown in this PDF Document is generated from our Online Catalog. Please find the complete data in the user's documentation. Our General Terms of Use for Downloads are valid (<http://phoenixcontact.com/download>)




INTERBUS branch terminal, version for extreme conditions, complete with accessories (connector plug and labeling field), with remote bus branch, 24 V DC

### Your advantages

- Diagnostic and status indicators
- Can be used under extreme ambient conditions
- Extended temperature range of -40 °C ... +70 °C (see "Tested successfully: use under extreme ambient conditions" in the data sheet)
- Coated PCBs



### Key Commercial Data

Packing unit	1 pc
GTIN	 4 046356 713788
GTIN	4046356713788
Weight per Piece (excluding packing)	100.000 g
Custom tariff number	85389091
Country of origin	Germany

### Technical data

#### Note

Utilization restriction	EMC: class A product, see manufacturer's declaration in the download area
-------------------------	---

#### Dimensions

Width	12.2 mm
Height	135 mm
Depth	71.5 mm

## Branch terminal - IBS IL 24 RB-T-XC-PAC - 2701151

### Technical data

#### Ambient conditions

Ambient temperature (operation)	-25 °C ... 55 °C
	-40 °C ... 70 °C (Extended, see section "Tested successfully: use under extreme ambient conditions" in the data sheet.)
Ambient temperature (storage/transport)	-40 °C ... 85 °C
Permissible humidity (operation)	10 % ... 95 % (according to DIN EN 61131-2)
Permissible humidity (storage/transport)	10 % ... 95 % (according to DIN EN 61131-2)
Air pressure (operation)	70 kPa ... 106 kPa (up to 3000 m above sea level)
Air pressure (storage/transport)	70 kPa ... 106 kPa (up to 3000 m above sea level)
Degree of protection	IP20

#### General

Mounting type	DIN rail
Color	green
Net weight	67 g
Note on weight specifications	with connector

#### Interfaces

Designation	INTERBUS
Connection method	Inline shield connector
Transmission speed	500 kbps
Transmission physics	RS-485
Designation	INTERBUS
Connection method	Inline data jumper
Transmission speed	500 kbps
Designation	Inline local bus
Connection method	Inline data jumper
Transmission physics	Copper

#### Inline potentials

Designation	Supply of analog modules ( $U_{ANA}$ )
Supply voltage	24 V DC (via voltage jumper)
Supply voltage range	19.2 V DC ... 30 V DC (including all tolerances, including ripple)
Current consumption	typ. 29 mA

#### Electrical isolation

Test section	5 V supply, incoming remote bus, 5 V supply outgoing remote bus, 5 V supply logic 500 V AC 50 Hz 1 min.
	Remote bus branch 500 V AC 50 Hz 1 min.
	Functional earth ground 500 V AC 50 Hz 1 min.

#### Standards and Regulations

## Branch terminal - IBS IL 24 RB-T-XC-PAC - 2701151

### Technical data

#### Standards and Regulations

Connection in acc. with standard	CUL
Protection class	III (IEC 61140, EN 61140, VDE 0140-1)

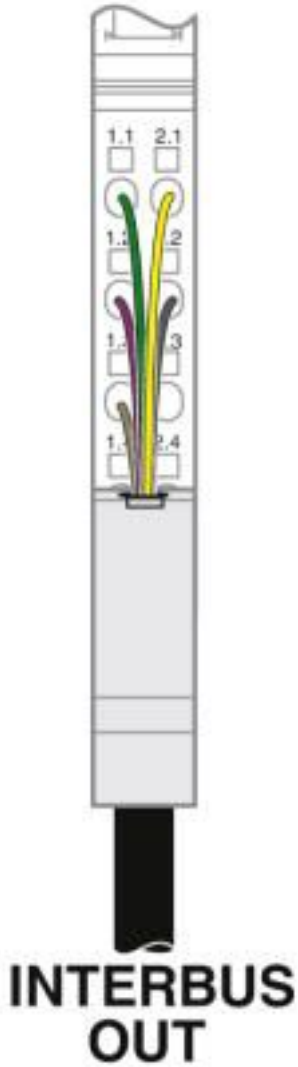
#### Environmental Product Compliance

REACH SVHC	Lead 7439-92-1
China RoHS	Environmentally friendly use period: unlimited = EFUP-e
	No hazardous substances above threshold values

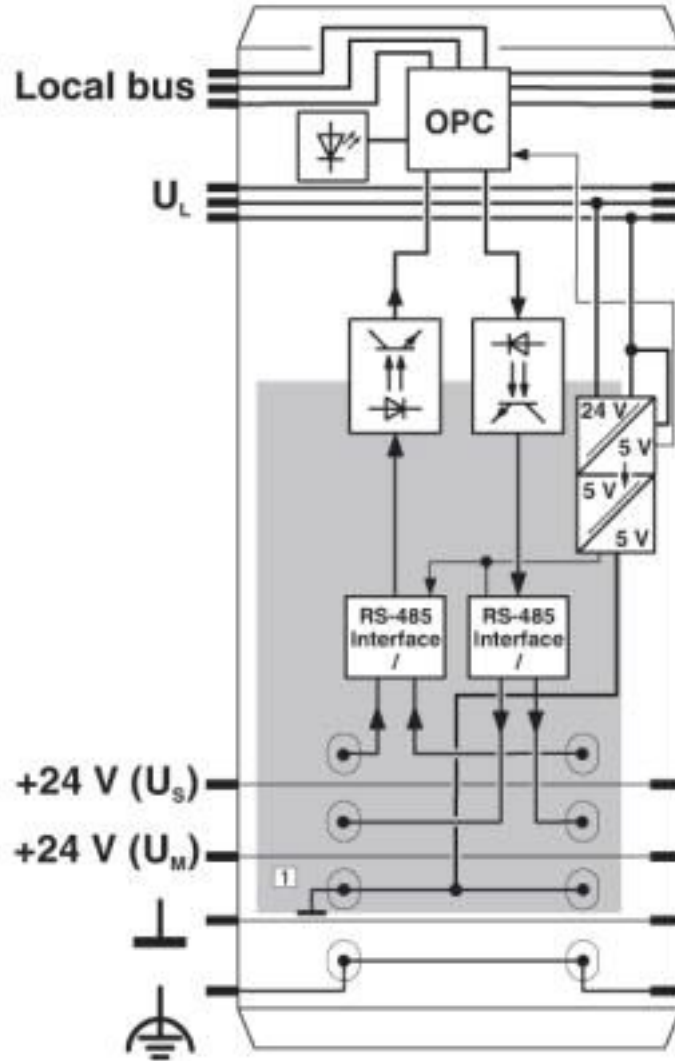
### Drawings

# Branch terminal - IBS IL 24 RB-T-XC-PAC - 2701151

Connection diagram



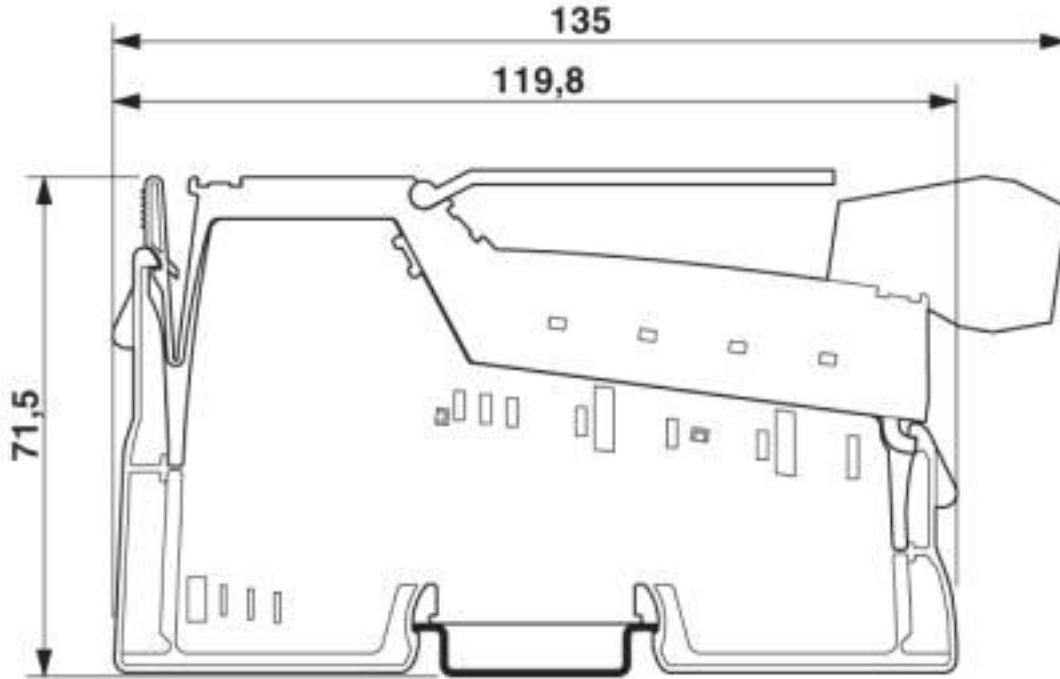
Block diagram



Internal wiring of the terminal points

## Branch terminal - IBS IL 24 RB-T-XC-PAC - 2701151

Dimensional drawing



### Classifications

eCl@ss

eCl@ss 10.0.1	27242608
eCl@ss 4.0	27250200
eCl@ss 4.1	27250200
eCl@ss 5.0	27250200
eCl@ss 5.1	27242600
eCl@ss 6.0	27242600
eCl@ss 7.0	27242608
eCl@ss 8.0	27242608
eCl@ss 9.0	27242608

ETIM

ETIM 3.0	EC001604
ETIM 4.0	EC001599
ETIM 5.0	EC001604
ETIM 6.0	EC001604
ETIM 7.0	EC001604

# Branch terminal - IBS IL 24 RB-T-XC-PAC - 2701151

## Classifications

### UNSPSC

UNSPSC 6.01	43172015
UNSPSC 7.0901	43201404
UNSPSC 11	43172015
UNSPSC 12.01	43201404
UNSPSC 13.2	32151602
UNSPSC 18.0	32151602
UNSPSC 19.0	32151602
UNSPSC 20.0	32151602
UNSPSC 21.0	32151602

## Approvals

### Approvals

Approvals

UL Recognized / cUL Recognized / cULus Recognized

Ex Approvals

### Approval details

UL Recognized		<a href="http://database.ul.com/cgi-bin/XYV/template/LISEXT/1FRAME/index.htm">http://database.ul.com/cgi-bin/XYV/template/LISEXT/1FRAME/index.htm</a>	FILE E 140324
---------------	--	---	---------------

cUL Recognized		<a href="http://database.ul.com/cgi-bin/XYV/template/LISEXT/1FRAME/index.htm">http://database.ul.com/cgi-bin/XYV/template/LISEXT/1FRAME/index.htm</a>	FILE E 140324
----------------	--	---	---------------

cULus Recognized			
------------------	--	--	--

## Accessories

Accessories

Labeling panel

## Branch terminal - IBS IL 24 RB-T-XC-PAC - 2701151

### Accessories

Labeling field - IB IL FIELD 2 - 2727501

Labeling field, width: 12.2 mm



### Plug

Inline shield connector - IB IL SCN-6 SHIELD - 2726353



Inline shield connector

### Terminal marking

Insert strip - ESL 62X10 - 0809492



Insert strip, Sheet, white, unlabeled, can be labeled with: Office printing systems: Laser printer, mounting type: insert, lettering field size: 62 x 10 mm, Number of individual labels: 72