

## Profile cover - UM-ALU 4 AU75 L990 - 2200970

Please be informed that the data shown in this PDF Document is generated from our Online Catalog. Please find the complete data in the user's documentation. Our General Terms of Use for Downloads are valid (<http://phoenixcontact.com/download>)



Press-drawn section housings, Profile cover, width: 75.6 mm, profile width (internal): 71.5 mm, length: 990 mm, color: aluminum color

### Your advantages

- Item is from the UM-ALU product range
- Aluminum press-drawn section
- Available in lengths from 42.5 mm ... 990 mm, can be cut to any length
- Available in overall widths of 75 mm and 105 mm
- Variety of connection technologies
- Can be mounted on the DIN rail
- EMC protection

### Key Commercial Data

Packing unit	1 pc
GTIN	 4 046356 721127
GTIN	4046356721127
Custom tariff number	76161000
Country of origin	Germany

### Technical data

#### Product properties

Brief article description	Profile cover
Type	UM-ALU 4 AU75 L990
Order No.	2200970
Housing type	Press-drawn section housings

# Profile cover - UM-ALU 4 AU75 L990 - 2200970

## Technical data

### Product properties

Type	Profile cover
Max. IP code to attain	IP40
Mounting type	Screw mounting

### Dimensions

Width [ w ]	75.6 mm
Length [ l ]	990 mm
Depth [ d ]	43.1 mm

### Material specifications

Material	Aluminum
Color	aluminum color
Surface characteristics	anodized

### Ambient conditions

Ambient temperature (storage/transport)	-40 °C ... 55 °C
Ambient temperature (assembly)	-5 °C ... 100 °C
Ambient temperature (operation)	-40 °C ... 100 °C (depending on power dissipation)

### PCB specifications

PCB holders	5
PCB thickness	1.44 mm ... 2 mm
PCB surface	62843 mm <sup>2</sup> ... 67395 mm <sup>2</sup> (TOP in conjunction with side elements COVERLID...AL or 4LID...PA)
	62843 mm <sup>2</sup> ... 67395 mm <sup>2</sup> (BOTTOM in conjunction with side elements COVERLID...AL or 4LID...PA)
Mounting position	parallel to the DIN rail
Type of PCB mount	Slot

### Packaging specifications

Type of packaging	packed in cardboard
Pieces per package	1
Denomination packing units	Pcs.
Outer packaging type	Carton

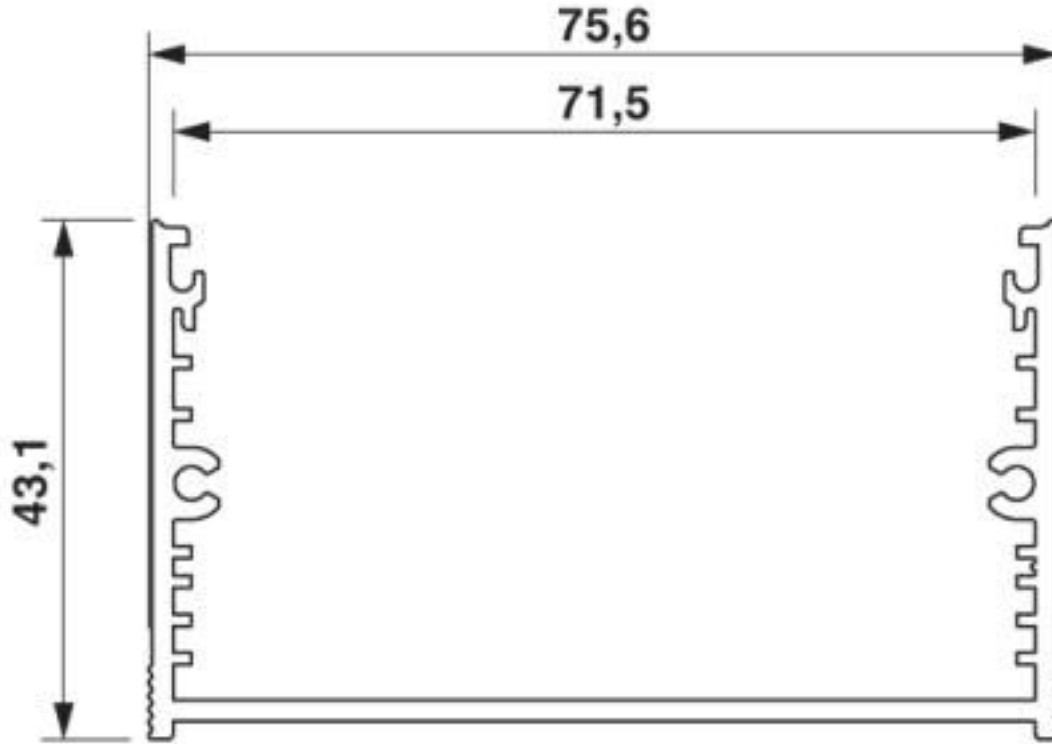
### Environmental Product Compliance

China RoHS	Environmentally friendly use period: unlimited = EFUP-e
	No hazardous substances above threshold values

## Drawings

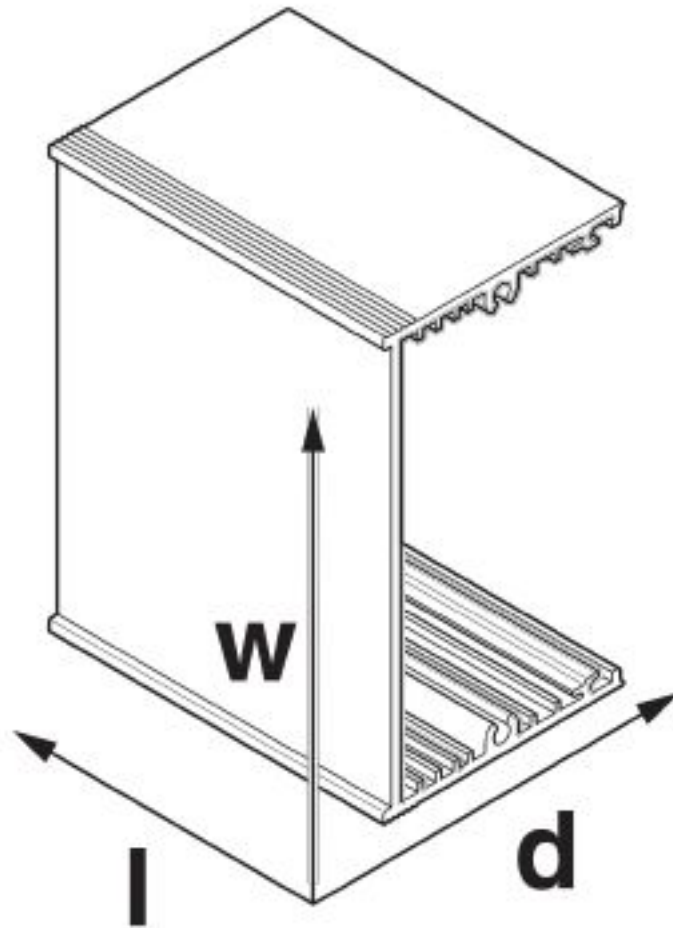
# Profile cover - UM-ALU 4 AU75 L990 - 2200970

Dimensional drawing



## Profile cover - UM-ALU 4 AU75 L990 - 2200970

Schematic diagram



### Classifications

eCl@ss

eCl@ss 10.0.1	27182701
eCl@ss 4.0	27180400
eCl@ss 4.1	27180400
eCl@ss 5.0	27180500
eCl@ss 5.1	27180500
eCl@ss 6.0	27182000
eCl@ss 7.0	27182701
eCl@ss 8.0	27182701

## Profile cover - UM-ALU 4 AU75 L990 - 2200970

### Classifications

eCl@ss

eCl@ss 9.0	27182701
------------	----------

### ETIM

ETIM 3.0	EC001031
ETIM 4.0	EC000721
ETIM 5.0	EC002779
ETIM 6.0	EC002779
ETIM 7.0	EC002779

### UNSPSC

UNSPSC 6.01	31261501
UNSPSC 7.0901	31261501
UNSPSC 11	31261501
UNSPSC 12.01	31261501
UNSPSC 13.2	31261501
UNSPSC 18.0	31261501
UNSPSC 19.0	31261501
UNSPSC 20.0	31261501
UNSPSC 21.0	31261501

### Accessories

#### Necessary add-on products

Side element - UM-ALU 4-72 COVERLID 75 AL - 2202085

Press-drawn section housings, Side elements (left and right) incl. snap-on foot and screws for profile cover UM-ALU 4 AU..L..., width: 75.4 mm, height: 2 mm, color: aluminum color



Side element - UM-ALU 4-100,5 COVERLID 75 AL - 2201760

Press-drawn section housings, Side elements (left and right) incl. snap-on foot and screws for profile cover UM-ALU 4 AU..L..., width: 105.4 mm, height: 2 mm, color: aluminum color



## Profile cover - UM-ALU 4 AU75 L990 - 2200970

### Accessories

Side element - UM-ALU 4 LID75 PA BK - 2200972



Press-drawn section housings, Side elements (left and right) for profile cover, incl. screws, width: 75.4 mm, length: 9 mm, color: black (9005)