

## Front plate - UM-ALU 4-72 FRONT 235 - 2200931

Please be informed that the data shown in this PDF Document is generated from our Online Catalog. Please find the complete data in the user's documentation. Our General Terms of Use for Downloads are valid (<http://phoenixcontact.com/download>)


Press-drawn section housings, Basic profile front plate, width: 71.8 mm, length: 236.3 mm, color: aluminum color, recommended for UM-ALU 4-..COVER AL lateral elements



### Your advantages

- Item is from the UM-ALU product range
- Aluminum press-drawn section
- Available in lengths from 42.5 mm ... 990 mm, can be cut to any length
- Available in overall widths of 75 mm and 105 mm
- Variety of connection technologies
- Can be mounted on the DIN rail
- EMC protection

### Key Commercial Data

Packing unit	1
GTIN	 4 046356 724043
GTIN	4046356724043
Custom tariff number	76061191

### Technical data

#### Product properties

Brief article description	Front plate
Type	UM-ALU 4-72 FRONT 235
Order No.	2200931
Housing type	Press-drawn section housings
Type	Basic profile front plate

## Front plate - UM-ALU 4-72 FRONT 235 - 2200931

### Technical data

#### Product properties

Max. IP code to attain	IP40
------------------------	------

#### Dimensions

Width [ w ]	71.8 mm
Length [ l ]	236.3 mm
Depth [ d ]	2 mm

#### Material specifications

Material	Aluminum
Color	aluminum color
Surface characteristics	anodized

#### Ambient conditions

Ambient temperature (storage/transport)	-40 °C ... 55 °C
Ambient temperature (assembly)	-5 °C ... 100 °C
Ambient temperature (operation)	-40 °C ... 100 °C (depending on power dissipation)

#### Packaging specifications

Pieces per package	1
Denomination packing units	Pcs.

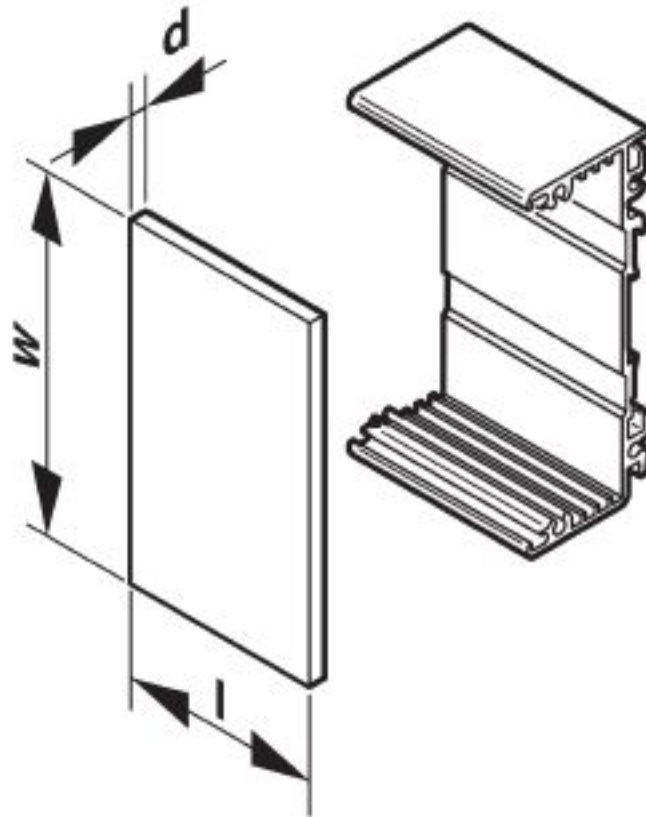
#### Environmental Product Compliance

China RoHS	Environmentally friendly use period: unlimited = EFUP-e
	No hazardous substances above threshold values

### Drawings

# Front plate - UM-ALU 4-72 FRONT 235 - 2200931

Schematic diagram



## Classifications

eCl@ss

eCl@ss 10.0.1	27182701
eCl@ss 4.0	27180400
eCl@ss 4.1	27180400
eCl@ss 5.0	27180500
eCl@ss 5.1	27180500
eCl@ss 6.0	27182000
eCl@ss 7.0	27182701

## Front plate - UM-ALU 4-72 FRONT 235 - 2200931

### Classifications

#### eCl@ss

eCl@ss 8.0	27182701
eCl@ss 9.0	27182701

#### ETIM

ETIM 3.0	EC001031
ETIM 4.0	EC000721
ETIM 5.0	EC002779
ETIM 6.0	EC002779
ETIM 7.0	EC002779

#### UNSPSC

UNSPSC 6.01	31261501
UNSPSC 7.0901	31261501
UNSPSC 11	31261501
UNSPSC 12.01	31261501
UNSPSC 13.2	31261501
UNSPSC 18.0	31261501
UNSPSC 19.0	31261501
UNSPSC 20.0	31261501
UNSPSC 21.0	31261501

### Accessories

#### Necessary add-on products

Side element - UM-ALU 4-72 COVER PA BK - 2200934



Press-drawn section housings, Side elements (left and right) incl. snap-on foot and screws for basic profile, width: 75.4 mm, color: black (9005)