

Front plate - UM-ALU 4-72 FRONT 130 - 2200928

Please be informed that the data shown in this PDF Document is generated from our Online Catalog. Please find the complete data in the user's documentation. Our General Terms of Use for Downloads are valid (<http://phoenixcontact.com/download>)

Press-drawn section housings, Basic profile front plate, width: 71.8 mm, length: 131.3 mm, color: aluminum color, recommended for UM-ALU 4-..COVER AL lateral elements



Your advantages

- Item is from the UM-ALU product range
- Aluminum press-drawn section
- Available in lengths from 42.5 mm ... 990 mm, can be cut to any length
- Available in overall widths of 75 mm and 105 mm
- Variety of connection technologies
- Can be mounted on the DIN rail
- EMC protection

Key Commercial Data

Packing unit	1 pc
GTIN	 4 046356 720441
GTIN	4046356720441
Weight per Piece (excluding packing)	60.000 g
Custom tariff number	76061191
Country of origin	Germany

Technical data

Product properties

Brief article description	Front plate
Type	UM-ALU 4-72 FRONT 130
Order No.	2200928

Front plate - UM-ALU 4-72 FRONT 130 - 2200928

Technical data

Product properties

Housing type	Press-drawn section housings
Type	Basic profile front plate
Max. IP code to attain	IP40

Dimensions

Width [w]	71.8 mm
Length [l]	131.3 mm
Depth [d]	2 mm

Material specifications

Material	Aluminum
Color	aluminum color
Surface characteristics	anodized

Ambient conditions

Ambient temperature (storage/transport)	-40 °C ... 55 °C
Ambient temperature (assembly)	-5 °C ... 100 °C
Ambient temperature (operation)	-40 °C ... 100 °C (depending on power dissipation)

Packaging specifications

Pieces per package	1
Denomination packing units	Pcs.

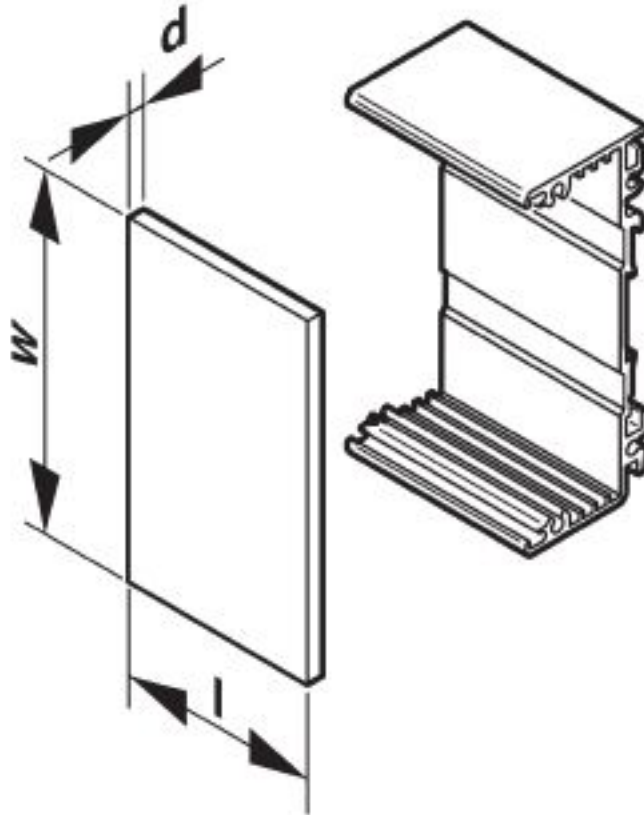
Environmental Product Compliance

China RoHS	Environmentally friendly use period: unlimited = EFUP-e
	No hazardous substances above threshold values

Drawings

Front plate - UM-ALU 4-72 FRONT 130 - 2200928

Schematic diagram



Classifications

eCl@ss

eCl@ss 10.0.1	27182701
eCl@ss 4.0	27180400
eCl@ss 4.1	27180400
eCl@ss 5.0	27180500
eCl@ss 5.1	27180500
eCl@ss 6.0	27182000
eCl@ss 7.0	27182701

Front plate - UM-ALU 4-72 FRONT 130 - 2200928

Classifications

eCl@ss

eCl@ss 8.0	27182701
eCl@ss 9.0	27182701

ETIM

ETIM 3.0	EC001031
ETIM 4.0	EC000721
ETIM 5.0	EC002779
ETIM 6.0	EC002779
ETIM 7.0	EC002779

UNSPSC

UNSPSC 6.01	31261501
UNSPSC 7.0901	31261501
UNSPSC 11	31261501
UNSPSC 12.01	31261501
UNSPSC 13.2	31261501
UNSPSC 18.0	31261501
UNSPSC 19.0	31261501
UNSPSC 20.0	31261501
UNSPSC 21.0	31261501

Approvals

Approvals

Approvals

EAC

Ex Approvals

Approval details

EAC		B.01742
-----	---	---------

Front plate - UM-ALU 4-72 FRONT 130 - 2200928

Accessories

Necessary add-on products

Side element - UM-ALU 4-72 COVER PA BK - 2200934



Press-drawn section housings, Side elements (left and right) incl. snap-on foot and screws for basic profile, width: 75.4 mm, color: black (9005)