

Profile - UM-ALU 4-72 PROFILE 60 - 2200918

Please be informed that the data shown in this PDF Document is generated from our Online Catalog. Please find the complete data in the user's documentation. Our General Terms of Use for Downloads are valid (<http://phoenixcontact.com/download>)



Press-drawn section housings, Basic profile, profile width (internal): 72 mm, length: 60 mm, color: aluminum color

Your advantages

- Item is from the UM-ALU product range
- Aluminum press-drawn section
- Available in lengths from 42.5 mm ... 990 mm, can be cut to any length
- Available in overall widths of 75 mm and 105 mm
- Variety of connection technologies
- Can be mounted on the DIN rail
- EMC protection

Key Commercial Data

Packing unit	1 pc
GTIN	
GTIN	4046356716390
Weight per Piece (excluding packing)	40.000 g
Custom tariff number	76042990
Country of origin	Germany

Technical data

Product properties

Brief article description	Profile
Type	UM-ALU 4-72 PROFILE 60
Order No.	2200918

Profile - UM-ALU 4-72 PROFILE 60 - 2200918

Technical data

Product properties

Housing type	Press-drawn section housings
Type	Basic profile
Max. IP code to attain	IP40
Mounting type	Screw mounting

Dimensions

Length [l]	60 mm
Profile width (external)	75 mm
Profile width (internal)	72 mm
Depth [d]	29.4 mm
Depth from top edge of DIN rail	25.5 mm

Material specifications

Material	Aluminum
Color	aluminum color
Surface characteristics	anodized

Ambient conditions

Ambient temperature (storage/transport)	-40 °C ... 55 °C
Ambient temperature (assembly)	-5 °C ... 100 °C
Ambient temperature (operation)	-40 °C ... 105 °C (depending on power dissipation)

PCB specifications

PCB holders	3
PCB thickness	1.44 mm ... 2 mm
PCB surface	3874 mm ² ... 4080 mm ² (TOP in conjunction with side elements COVER...AL)
	3925 mm ² ... 4059 mm ² (BOTTOM in conjunction with side elements COVER...AL)
	3874 mm ² ... 4416 mm ² (TOP in conjunction with side elements COVER...PA)
	4036 mm ² ... 4416 mm ² (BOTTOM in conjunction with side elements COVER...PA)
Mounting position	parallel to the DIN rail
Type of PCB mount	Slot

Packaging specifications

Type of packaging	packed in cardboard
Pieces per package	1
Denomination packing units	Pcs.
Outer packaging type	Carton

Profile - UM-ALU 4-72 PROFILE 60 - 2200918

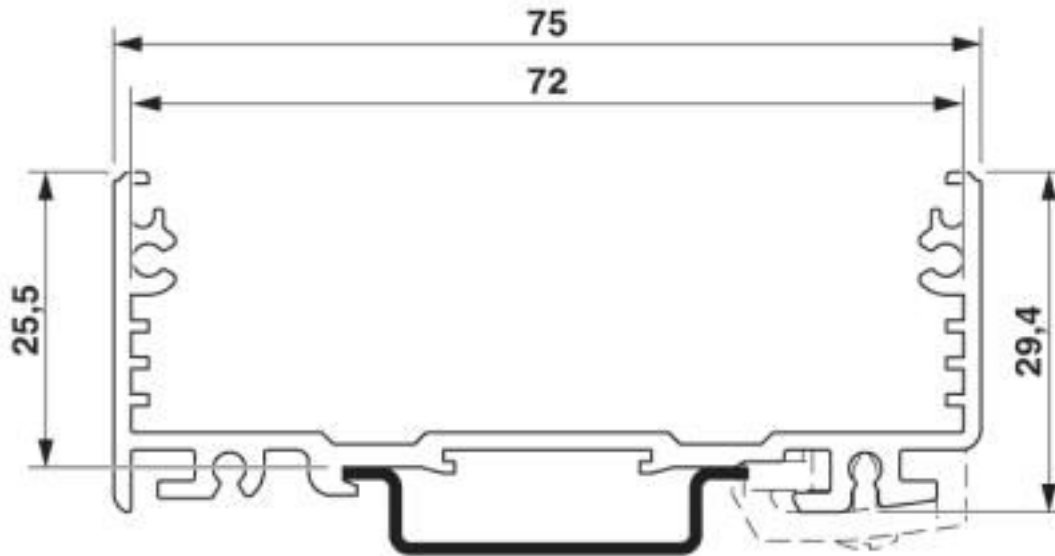
Technical data

Environmental Product Compliance

China RoHS	Environmentally friendly use period: unlimited = EFUP-e
	No hazardous substances above threshold values

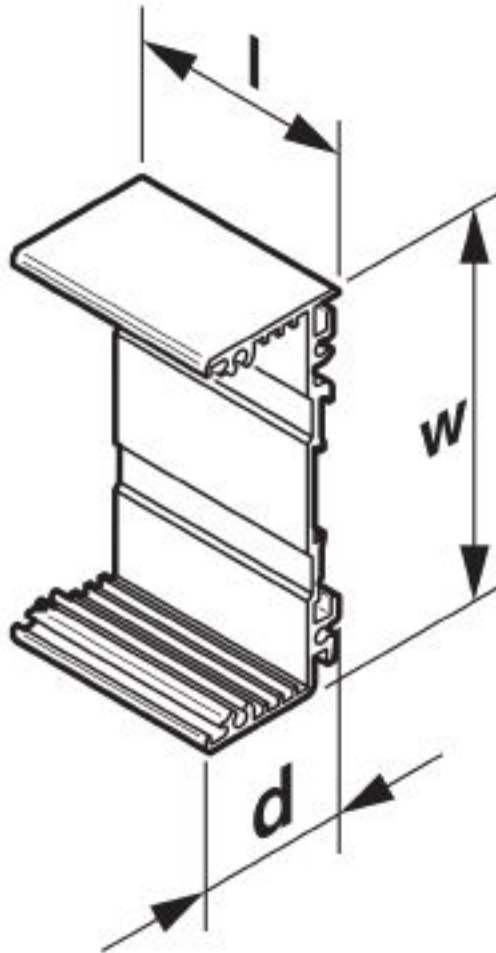
Drawings

Dimensional drawing



Profile - UM-ALU 4-72 PROFILE 60 - 2200918

Dimensional drawing



Classifications

eCl@ss

eCl@ss 10.0.1	27182701
eCl@ss 4.0	27180400
eCl@ss 4.1	27180400
eCl@ss 5.0	27180500
eCl@ss 5.1	27180500
eCl@ss 6.0	27182000
eCl@ss 7.0	27182701
eCl@ss 8.0	27182701

Profile - UM-ALU 4-72 PROFILE 60 - 2200918

Classifications

eCl@ss

eCl@ss 9.0	27182701
------------	----------

ETIM

ETIM 3.0	EC001031
ETIM 4.0	EC000721
ETIM 5.0	EC002779
ETIM 6.0	EC002779
ETIM 7.0	EC002779

UNSPSC

UNSPSC 6.01	31261501
UNSPSC 7.0901	31261501
UNSPSC 11	31261501
UNSPSC 12.01	31261501
UNSPSC 13.2	31261501
UNSPSC 18.0	31261501
UNSPSC 19.0	31261501
UNSPSC 20.0	31261501
UNSPSC 21.0	31261501

Approvals

Approvals

Approvals

EAC

Ex Approvals

Approval details

EAC		B.01742
-----	--	---------

Accessories

Accessories

Profile - UM-ALU 4-72 PROFILE 60 - 2200918

Accessories

Ground contact

Grounding clip - UM-ALU 4 PE CONTACT - 2200973

Press-drawn section housings, Grounding clamp for integrating the basic profile into the potential equalization system via slip-on sleeves in accordance with DIN 46244, width: 17 mm



Necessary add-on products

Side element - UM-ALU 4-72 COVER AL - 2200933

Press-drawn section housings, Side elements (left and right) incl. snap-on foot and screws for basic profile, width: 75.4 mm, height: 2 mm, color: aluminum color



Side element - UM-ALU 4-72 COVERLID 45 AL - 2201758

Press-drawn section housings, Side elements (left and right) incl. snap-on foot and screws for profile cover UM-ALU 4 AU..L., width: 75.4 mm, height: 2 mm, color: aluminum color



Side element - UM-ALU 4-72 COVERLID 75 AL - 2202085

Press-drawn section housings, Side elements (left and right) incl. snap-on foot and screws for profile cover UM-ALU 4 AU..L., width: 75.4 mm, height: 2 mm, color: aluminum color



Base latch - UM-ALU 4 FOOT - 2200974



Press-drawn section housings, Snap-on foot for DIN rail, incl. screw

Profile - UM-ALU 4-72 PROFILE 60 - 2200918

Accessories

Side element - UM-ALU 4-72 COVER PA BK - 2200934



Press-drawn section housings, Side elements (left and right) incl. snap-on foot and screws for basic profile, width: 75.4 mm, color: black (9005)

Additional products

Profile cover - UM-ALU 4 AU45 L60 - 2200955



Press-drawn section housings, Profile cover, width: 45.6 mm, profile width (internal): 42 mm, length: 60 mm, color: aluminum color

Profile cover - UM-ALU 4 AU75 L60 - 2200964



Press-drawn section housings, Profile cover, width: 75.6 mm, profile width (internal): 71.5 mm, length: 60 mm, color: aluminum color

Front plate - UM-ALU 4-72 FRONT 60 AP - 2202087



Press-drawn section housings, Basic profile front plate, width: 71.8 mm, length: 60 mm, color: aluminum color, recommended for UM-ALU 4-..COVER PA.. lateral elements