


## D-SUB protective cover - VS-15-SD - 1887099

Please be informed that the data shown in this PDF Document is generated from our Online Catalog. Please find the complete data in the user's documentation. Our General Terms of Use for Downloads are valid (<http://phoenixcontact.com/download>)

D-SUB protective cover, shell size 2, IP54 degree of protection, for panel mounting frame and sleeve housing VS-15-...



### Key Commercial Data

Packing unit	1 pc
Minimum order quantity	5 pc
GTIN	 4 017918 817473
GTIN	4017918817473
Weight per Piece (excluding packing)	7.960 g
Custom tariff number	85389099
Country of origin	Germany

### Technical data

#### Mechanical characteristics

Locking type	without
Weight	7.87 g
Flammability rating according to UL 94	V0

#### Ambient conditions

Ambient temperature (operation)	-40 °C ... 80 °C
---------------------------------	------------------

#### Material data

Housing material	PA
------------------	----

#### Standards and Regulations

Flammability rating according to UL 94	V0
--	----

# D-SUB protective cover - VS-15-SD - 1887099

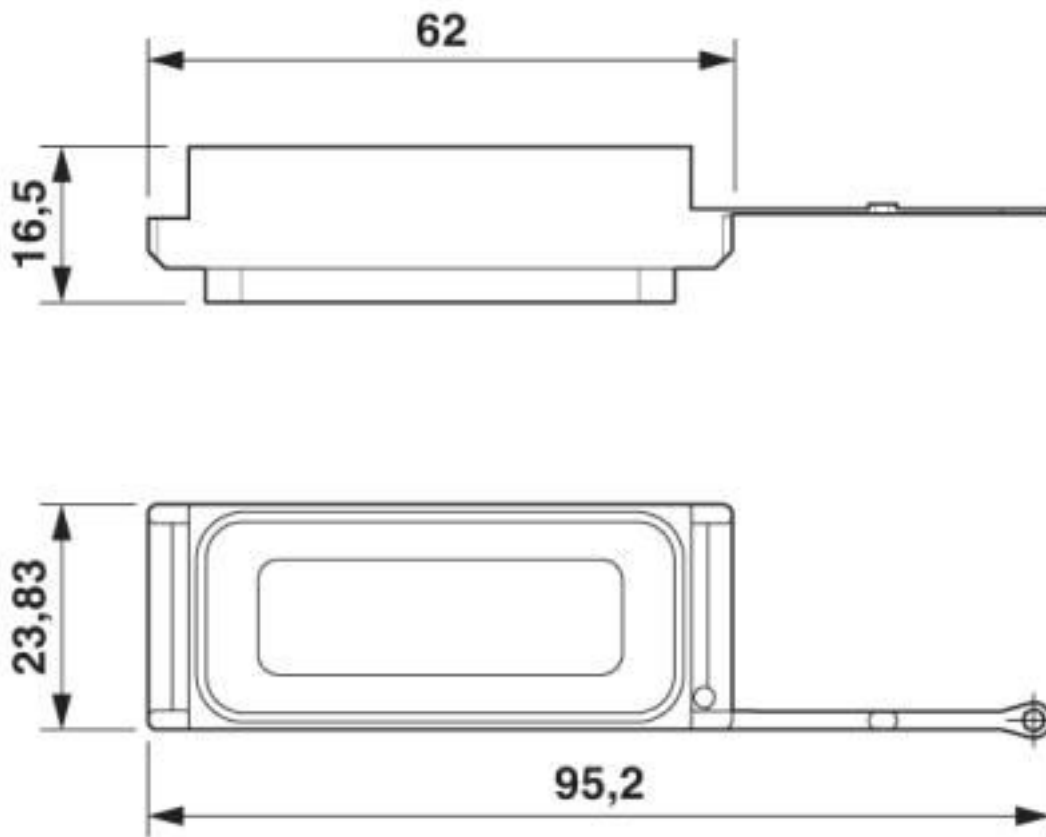
## Technical data

### Environmental Product Compliance

China RoHS	Environmentally friendly use period: unlimited = EFUP-e
	No hazardous substances above threshold values

## Drawings

Dimensional drawing



Protective cover for D-SUB

## Classifications

eCl@ss

eCl@ss 10.0.1	27440208
eCl@ss 4.0	27141200
eCl@ss 4.1	27141200
eCl@ss 5.0	27149100

## D-SUB protective cover - VS-15-SD - 1887099

### Classifications

#### eCl@ss

eCl@ss 5.1	27149100
eCl@ss 6.0	27261200
eCl@ss 7.0	27440208
eCl@ss 8.0	27440208
eCl@ss 9.0	27440208

#### ETIM

ETIM 2.0	EC000241
ETIM 3.0	EC002040
ETIM 4.0	EC001133
ETIM 5.0	EC002314
ETIM 6.0	EC002314
ETIM 7.0	EC002314

#### UNSPSC

UNSPSC 6.01	31261501
UNSPSC 7.0901	31261501
UNSPSC 11	31261501
UNSPSC 12.01	31261501
UNSPSC 13.2	39121421
UNSPSC 18.0	39121421
UNSPSC 19.0	39121421
UNSPSC 20.0	39121421
UNSPSC 21.0	39121421