

Housing - VC-MP-T1-Z - 1884898

Please be informed that the data shown in this PDF Document is generated from our Online Catalog. Please find the complete data in the user's documentation. Our General Terms of Use for Downloads are valid (<http://phoenixcontact.com/download>)



Metal sleeve housing, powder-coating, locking screws with cylindrical head, type 1, cable screw connection Pg16

The figure shows version VC-MP-T3-Z

Key Commercial Data

Packing unit	1 pc
Minimum order quantity	5 pc
GTIN	 4 017918 187026
GTIN	4017918187026
Weight per Piece (excluding packing)	235.580 g
Custom tariff number	85369010
Country of origin	Poland

Technical data

Dimensions

Height	65 mm
--------	-------

Ambient conditions

Degree of protection	IP65/IP66/IP67
Ambient temperature (operation)	-40 °C ... 125 °C

General

Note	When using fiber optics, the bending radii of the cable manufacturers must be observed.
Type	VC1

Housing - VC-MP-T1-Z - 1884898

Technical data

General

Degree of protection	IP65/IP66/IP67
Flammability rating according to UL 94	V0
Locking type	Screw locking, cylinder head
Tightening torque, mounting screw	1.5 Nm ±0.3 Nm
Type of the screw connection	1x Pg16
Cable outlet	Angled
Number of module slots	2
Housing material	Zinc die-cast
Seal material	EPDM
Ambient temperature (operation)	-40 °C ... 125 °C

Standards and Regulations

Flammability rating according to UL 94	V0
Safety note	<p>WARNING: The connectors may not be plugged in or disconnected under load. Ignoring the warning or improper use may damage persons and/or property.</p> <ul style="list-style-type: none"> • WARNING: Commission properly functioning products only. The products must be regularly inspected for damage. Decommission defective products immediately. Replace damaged products. Repairs are not possible. • WARNING: Only electrically qualified personnel may install and operate the product. They must observe the following safety notes. The qualified personnel must be familiar with the basics of electrical engineering. They must be able to recognize and prevent danger. The relevant symbol on the packaging indicates that only personnel familiar with electrical engineering are allowed to install and operate the product. • The products are suitable for applications in plant, controller, and electrical device engineering. • When operating the connectors in outdoor applications, they must be separately protected against environmental influences. • Assembled products may not be manipulated or improperly opened. • Only use mating connectors that are specified in the technical data of the standards listed (e.g. the ones listed in the product accessories online at phoenixcontact.com/products). • When using the product in direct connection with third-party manufacturers, the user is responsible. • For operating voltages > 50 V AC, conductive connector housings must be grounded • Ensure that the protective or functional ground has been properly connected. • VDE 0100/1.97 § 411.1.3.2 and DIN EN 60 204/11.98 § 14.1.3 are applicable when combining several circuits in a cable and/or connector • Observe the corresponding technical data. You will find information: <ul style="list-style-type: none"> o On the product o On the packing label o In the supplied documentation

Housing - VC-MP-T1-Z - 1884898

Technical data

Standards and Regulations

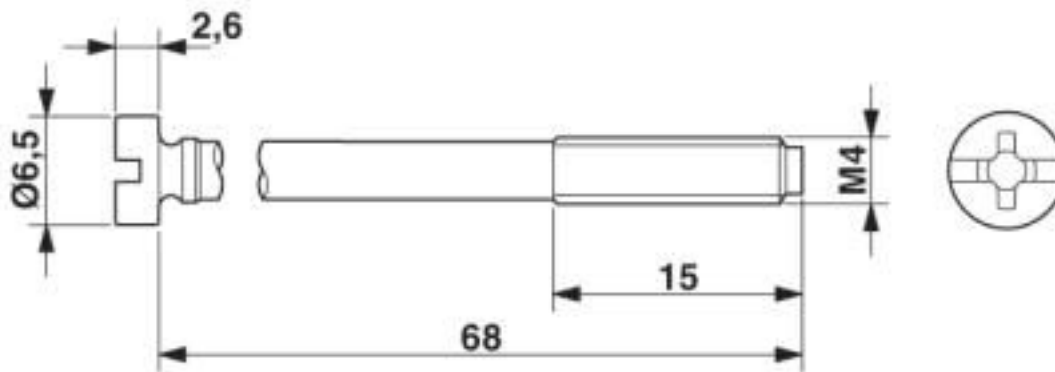
	o Online at phoenixcontact.com/products under the product
	• Only use tools recommended by Phoenix Contact
	• The installation notes/Design In documents online on the download page at phoenixcontact.com/products must be observed for this product.
	• Use a protective cap to protect connectors that are not in use. The suitable accessories are available online in the accessory section of the product at phoenixcontact.com/products
	• Operate the connector only when it is fully plugged in.
	• Ensure that when laying the cable, the tensile load on the connectors does not exceed the upper limit specified in the standards.
	• Observe the minimum bending radius of the cable. Lay the cable without twisting it.

Environmental Product Compliance

China RoHS	Environmentally friendly use period: unlimited = EFUP-e
	No hazardous substances above threshold values

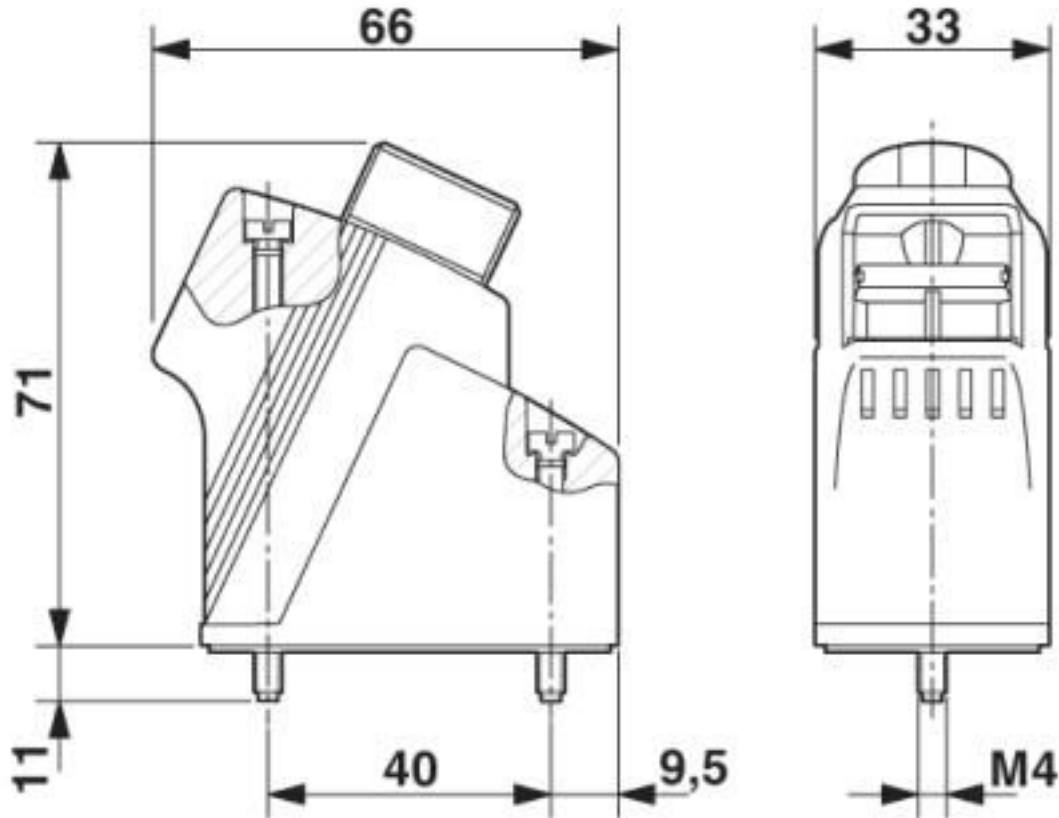
Drawings

Dimensional drawing

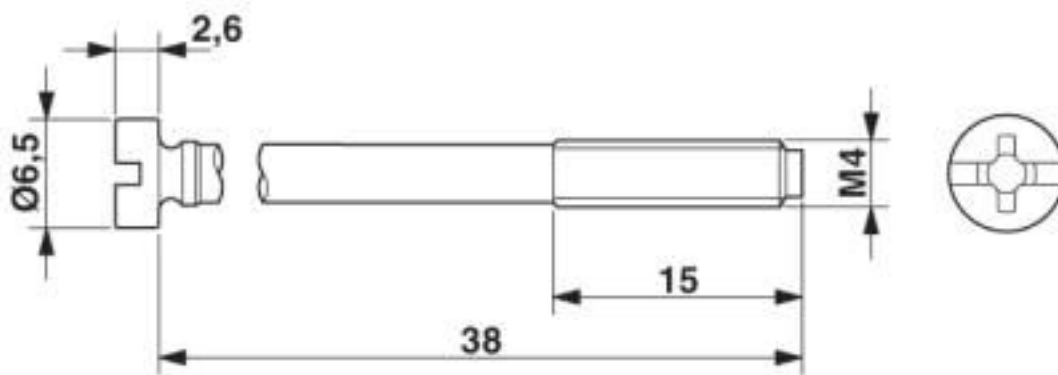


Housing - VC-MP-T1-Z - 1884898

Dimensional drawing



Dimensional drawing



Classifications

eCl@ss

eCl@ss 10.0.1	27440202
---------------	----------

Housing - VC-MP-T1-Z - 1884898

Classifications

eCl@ss

eCl@ss 4.0	27140800
eCl@ss 4.1	27140800
eCl@ss 5.0	27371200
eCl@ss 5.1	27261200
eCl@ss 6.0	27261200
eCl@ss 7.0	27440202
eCl@ss 8.0	27440202
eCl@ss 9.0	27440202

ETIM

ETIM 2.0	EC000437
ETIM 3.0	EC000437
ETIM 4.0	EC000437
ETIM 5.0	EC000437
ETIM 6.0	EC000437
ETIM 7.0	EC000437

UNSPSC

UNSPSC 6.01	31261502
UNSPSC 7.0901	31261502
UNSPSC 11	31261502
UNSPSC 12.01	31261502
UNSPSC 13.2	31261501
UNSPSC 18.0	31261501
UNSPSC 19.0	31261501
UNSPSC 20.0	31261501
UNSPSC 21.0	31261501

Approvals

Approvals

Approvals

EAC

Ex Approvals

Housing - VC-MP-T1-Z - 1884898

Approvals

Approval details

EAC		B.01742
-----	---	---------

Accessories

Accessories

Half screw connection

Half screw connection - VC-M-KV-PG16(4- 6,5) - 1853942



Half screw connection Pg16, made of metal, consisting of rubber seal with one hole and one pressure screw, for type 1 housings, cable [mm] 4 - 6.5

Half screw connection - VC-M-KV-PG16(6,5- 9,5) - 1853968



Half screw connection Pg16, made of metal, consisting of rubber seal with one hole and one pressure screw, for type 1 housings, cable [mm] 6.5 - 9.5

Half screw connection - VC-M-KV-PG16(9-13) - 1853984



Half screw connection Pg16, made of metal, consisting of rubber seal with one hole and one pressure screw, for type 1 housings, cable [mm] 9 - 13

Half screw connection - VC-M-KV-PG16(11,5-15,5) - 1854857



Half screw connection Pg16, made of metal, consisting of rubber seal with one hole and one pressure screw, for type 1 housings, cable [mm] 11.5 - 15.5

Housing - VC-MP-T1-Z - 1884898

Accessories

Half screw connection - VC-M-KV-PG16(5- 8) - 1853955



Half screw connection PG16, made of metal, consisting of rubber seal with one hole and one pressure screw, for type 1 housings, cable [mm] 5 - 8

Half screw connection - VC-M-KV-PG16(7-10,5) - 1853971



Half screw connection PG16, made of metal, consisting of rubber seal with one hole and one pressure screw, for type 1 housings, cable [mm] 7 - 10.5

Multiple screw connection

Cable gland - VC-M-KV-PG16 1X6/1X8 - 1885473



Multiple screw connection PG16, made of metal, consisting of rubber seal with several holes (1 x 6 mm/1 x 8 mm) and a pressure screw, for cable screw connection support VC-M-KV-PG16.....

Cable gland - VC-M-KV-PG16 1X5/2X6 - 1885509



Multiple screw connection PG16, made of metal, consisting of rubber seal with several holes (1 x 5 mm/2 x 6 mm) and a pressure screw, for cable screw connection support VC-M-KV-PG16.....

Cable gland - VC-M-KV-PG16 3X7 - 1885525



Multiple screw connection PG16, made of metal, consisting of rubber seal with several holes (3 x 7 mm) and a pressure screw, for cable screw connection support VC-M-KV-PG16.....

Housing - VC-MP-T1-Z - 1884898

Accessories

Cable gland - VC-M-KV-PG16 1X3/1X8 - 1885457



Multiple screw connection Pg16, made of metal, consisting of rubber seal with several holes (1 x 3 mm/1 x 8 mm) and a pressure screw, for cable screw connection support VC-M-KV-PG16.....

Cable gland - VC-M-KV-PG16 1X3/1X9 - 1885460



Multiple screw connection Pg16, made of metal, consisting of rubber seal with several holes (1 x 3 mm/1 x 9 mm) and a pressure screw, for cable screw connection thread VC-M-KV-PG16.....

Cable gland - VC-M-KV-PG16 1X5/1X9 - 1885486



Pg16 multiple screw connection, metal, comprising rubber seal with multiple holes (1 x 5 mm/1 x 9 mm) and a pressure screw, for VC-M-KV-PG16... cable glands

Cable gland - VC-M-KV-PG16 1X3/2X8 - 1885499



Multiple screw connection Pg16, made of metal, consisting of rubber seal with several holes (1 x 3 mm/2 x 8 mm) and a pressure screw, for cable screw connection support VC-M-KV-PG16.....

Cable gland - VC-M-KV-PG16 2X6/1X7 - 1885512



Multiple screw connection Pg16, made of metal, consisting of rubber seal with several holes (2 x 6 mm/1 x 7 mm) and a pressure screw, for cable screw connection support VC-M-KV-PG16.....

Protective cover

Housing - VC-MP-T1-Z - 1884898

Accessories

Protective covers - VC-SD1 - 1853670



Protective cover, Protective covers, type: VC1, housing material: PA 6, color: gray

Protective covers - VC-SD-T1 - 1886728



Protective cover, Protective covers, type: VC1, housing material: PA 6, color: gray

Marking label - VC-BZS WH - 1852875



Marker labels, unprinted, 5-section, for individual labeling with M-PEN or CMS system, white

Connector component - VC-SCHR.ZYL-B-M4X38X15-Z2L-V4A - 1628354



M4x38x15 mm cylinder screw as replacement for VC sleeve housing

Connector component - VC-SCHR.ZYL-B-M4X68X15-Z2L-V4A - 1628355



M4x68x15 mm cylinder screw as replacement for VC sleeve housing

Housing - VC-MP-T1-Z - 1884898

Accessories

Connector component - VC-O-RING 3X1,5 NBR-NT70:100 - 1628356



O-ring as replacement for VC sleeve housing

Marking label - VC-BZS WH - 1852875



Marker labels, unprinted, 5-section, for individual labeling with M-PEN or CMS system, white