

Housing - VC-MEMV-T4-Z - 1853353

Please be informed that the data shown in this PDF Document is generated from our Online Catalog. Please find the complete data in the user's documentation. Our General Terms of Use for Downloads are valid (<http://phoenixcontact.com/download>)



Metal sleeve housing, EMC-coating, locking screws with cylindrical head, with conductive seal, type 4, cable screw connection Pg21

The figure shows version VC-MEMV-T3-Z

Key Commercial Data

Packing unit	1 pc
Minimum order quantity	5 pc
GTIN	
GTIN	4017918133429
Weight per Piece (excluding packing)	371.980 g
Custom tariff number	85389099
Country of origin	Poland

Technical data

Dimensions

Height	75 mm
Width	33 mm
Length	104 mm

Ambient conditions

Ambient temperature (operation)	-40 °C ... 125 °C
---------------------------------	-------------------

General

Size	VC4
Locking type	Screw locking, cylinder head

Housing - VC-MEMV-T4-Z - 1853353

Technical data

General

Tightening torque, mounting screw	1 Nm ±0.5 Nm
No. of cable outlets	1
Cable outlet	Angled
Type of the screw connection	Pg21
Housing material	Zinc die-cast, surface bronzed and nickel-plated
Seal material	EPDM, conductive
Material of locking screw	V2A
Flammability rating according to UL 94	V0

Standards and Regulations

Connection in acc. with standard	CUL
Flammability rating according to UL 94	V0
Safety note	<p>WARNING: The connectors may not be plugged in or disconnected under load. Ignoring the warning or improper use may damage persons and/or property.</p>
	<ul style="list-style-type: none"> • WARNING: Commission properly functioning products only. The products must be regularly inspected for damage. Decommission defective products immediately. Replace damaged products. Repairs are not possible.
	<ul style="list-style-type: none"> • WARNING: Only electrically qualified personnel may install and operate the product. They must observe the following safety notes. The qualified personnel must be familiar with the basics of electrical engineering. They must be able to recognize and prevent danger. The relevant symbol on the packaging indicates that only personnel familiar with electrical engineering are allowed to install and operate the product.
	<ul style="list-style-type: none"> • The products are suitable for applications in plant, controller, and electrical device engineering.
	<ul style="list-style-type: none"> • When operating the connectors in outdoor applications, they must be separately protected against environmental influences.
	<ul style="list-style-type: none"> • Assembled products may not be manipulated or improperly opened.
	<ul style="list-style-type: none"> • Only use mating connectors that are specified in the technical data of the standards listed (e.g. the ones listed in the product accessories online at phoenixcontact.com/products).
	<ul style="list-style-type: none"> • When using the product in direct connection with third-party manufacturers, the user is responsible.
	<ul style="list-style-type: none"> • For operating voltages > 50 V AC, conductive connector housings must be grounded
	<ul style="list-style-type: none"> • Ensure that the protective or functional ground has been properly connected.
	<ul style="list-style-type: none"> • VDE 0100/1.97 § 411.1.3.2 and DIN EN 60 204/11.98 § 14.1.3 are applicable when combining several circuits in a cable and/or connector
	<ul style="list-style-type: none"> • Observe the corresponding technical data. You will find information: <ul style="list-style-type: none"> o On the product o On the packing label o In the supplied documentation o Online at phoenixcontact.com/products under the product

Housing - VC-MEMV-T4-Z - 1853353

Technical data

Standards and Regulations

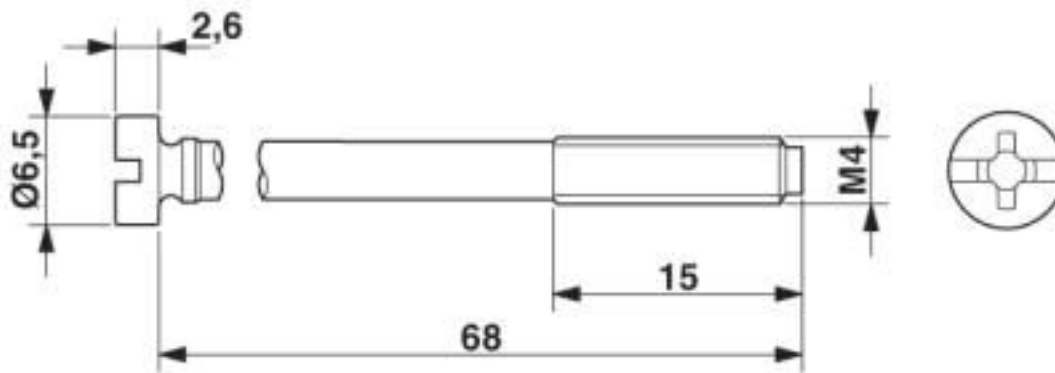
	<ul style="list-style-type: none"> • Only use tools recommended by Phoenix Contact
	<ul style="list-style-type: none"> • The installation notes/Design In documents online on the download page at phoenixcontact.com/products must be observed for this product.
	<ul style="list-style-type: none"> • Use a protective cap to protect connectors that are not in use. The suitable accessories are available online in the accessory section of the product at phoenixcontact.com/products
	<ul style="list-style-type: none"> • Operate the connector only when it is fully plugged in.
	<ul style="list-style-type: none"> • Ensure that when laying the cable, the tensile load on the connectors does not exceed the upper limit specified in the standards.
	<ul style="list-style-type: none"> • Observe the minimum bending radius of the cable. Lay the cable without twisting it.

Environmental Product Compliance

China RoHS	Environmentally friendly use period: unlimited = EFUP-e
	No hazardous substances above threshold values

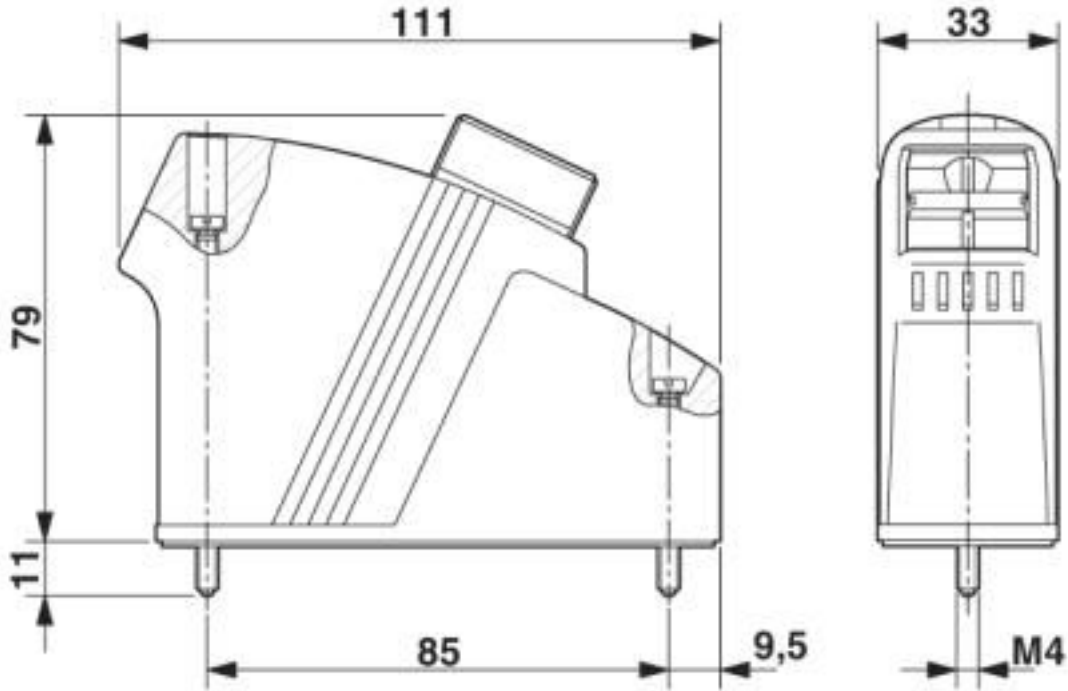
Drawings

Dimensional drawing



Housing - VC-MEMV-T4-Z - 1853353

Dimensional drawing



Dimensional drawing



Classifications

eCl@ss

eCl@ss 10.0.1	27440202
eCl@ss 4.0	27140800
eCl@ss 4.1	27140800
eCl@ss 5.0	27371200

Housing - VC-MEMV-T4-Z - 1853353

Classifications

eCl@ss

eCl@ss 5.1	27261200
eCl@ss 6.0	27261200
eCl@ss 7.0	27440202
eCl@ss 8.0	27440202
eCl@ss 9.0	27440202

ETIM

ETIM 2.0	EC000437
ETIM 3.0	EC000437
ETIM 4.0	EC000437
ETIM 5.0	EC000437
ETIM 6.0	EC000437
ETIM 7.0	EC000437

UNSPSC

UNSPSC 6.01	31261502
UNSPSC 7.0901	31261502
UNSPSC 11	31261502
UNSPSC 12.01	31261502
UNSPSC 13.2	31261501
UNSPSC 18.0	31261501
UNSPSC 19.0	31261501
UNSPSC 20.0	31261501
UNSPSC 21.0	31261501

Approvals

Approvals

Approvals

UL Recognized / cUL Recognized / EAC / cULus Recognized

Ex Approvals

Approval details

Housing - VC-MEMV-T4-Z - 1853353

Approvals

UL Recognized		http://database.ul.com/cgi-bin/XYV/template/LISEXT/1FRAME/index.htm	FILE E 118976
---------------	--	---	---------------

cUL Recognized		http://database.ul.com/cgi-bin/XYV/template/LISEXT/1FRAME/index.htm	FILE E 118976
----------------	--	---	---------------

EAC			B.01742
-----	--	--	---------

cULus Recognized			
------------------	--	--	--

Accessories

Accessories

Half screw connection

Cable gland - VC-EMV-KV-PG21(9-13/ 9,5) - 1854200



EMC half screw connection Pg21, for metal housings of sizes 2-4, consisting of rubber seal, iris spring, cone disks and pressure screw, for size 1 housings, cable shielding range [mm] 5.5-9.5, cable [mm] 9-13

Cable gland - VC-EMV-KV-PG21(9-13/12) - 1854213



EMC half screw connection Pg21, for metal housings of sizes 2-4, consisting of rubber seal, iris spring, cone disks and pressure screw, for size 1 housings, cable shielding range [mm] 7.5-12, cable [mm] 9-13

Housing - VC-MEMV-T4-Z - 1853353

Accessories

Cable gland - VC-EMV-KV-PG21(11,5-15,5/13,5) - 1854242



PG21 EMC half screw connection, for size 2 - 4 metal housing, comprising rubber seal, iris spring, cone discs, and pressure screw, for size 1 housing, cable shielding clamping area: 9.5 - 13.5 [mm], cable: 11.5 - 15.5 [mm]

Cable gland - VC-EMV-KV-PG21(14-18/14,5) - 1854255



EMC half screw connection Pg21, for metal housings of sizes 2-4, consisting of rubber seal, iris spring, cone disks and pressure screw, for size 1 housings, cable shielding range [mm] 10.5 - 14.5, cable [mm] 14-18

Protective cover

Protective covers - VC-SD4 - 1853706



Protective cover, Protective covers, type: VC4, housing material: PA 6, color: gray

Protective covers - VC-SD-T4 - 1886757



Protective cover, Protective covers, type: VC4, housing material: PA 6, color: gray

Connector component - VC-SCHR.ZYL-B-M4X38X15-Z2L-V4A - 1628354



M4x38x15 mm cylinder screw as replacement for VC sleeve housing

Housing - VC-MEMV-T4-Z - 1853353

Accessories

Connector component - VC-SCHR.ZYL-B-M4X68X15-Z2L-V4A - 1628355



M4x68x15 mm cylinder screw as replacement for VC sleeve housing

Connector component - VC-O-RING 3X1,5 NBR-NT70:100 - 1628356



O-ring as replacement for VC sleeve housing

Marking label - VC-BZS WH - 1852875



Marker labels, unprinted, 5-section, for individual labeling with M-PEN or CMS system, white
