

## Housing - HC-B 48-AMLD - 1772188


Please be informed that the data shown in this PDF Document is generated from our Online Catalog. Please find the complete data in the user's documentation. Our General Terms of Use for Downloads are valid (<http://phoenixcontact.com/download>)



HEAVYCON panel mounting base B48, with single locking latch, height 41 mm, with plastic cover, with flat gasket



### Key Commercial Data

Packing unit	1 pc
GTIN	 4 017918 036850
GTIN	4017918036850
Weight per Piece (excluding packing)	720.000 g
Custom tariff number	85389099
Country of origin	Germany

### Technical data

#### Dimensions

Height	41 mm
Width	112 mm
Length	165 mm
Length of the assembly cutout	82 mm
Width of the assembly cutout	120 mm

#### Ambient conditions

Degree of protection (IP)	IP65 (When plugged in)
	IP54 (with closed protective cover)
Ambient temperature (operation)	-40 °C ... 125 °C

#### General

# Housing - HC-B 48-AMLD - 1772188

## Technical data

### General

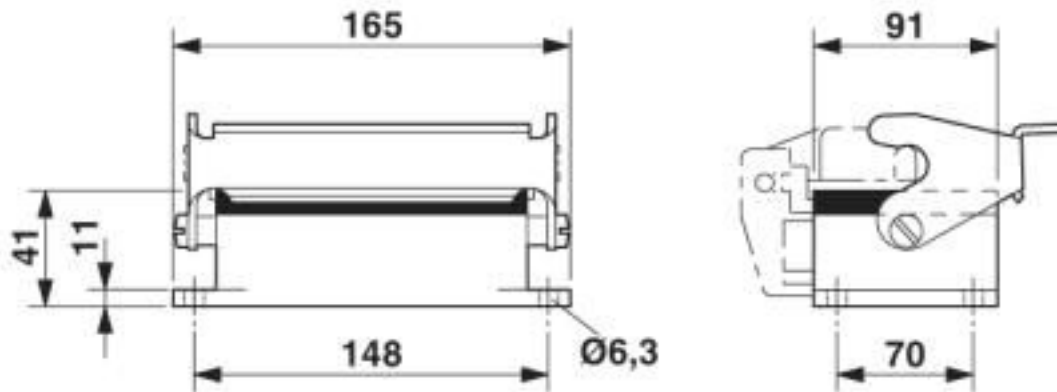
Note	For contact inserts HC-B48, DD216, M
Size	B48
Housing type	Panel mounting base
Color	gray
Locking type	with single locking latch
Screw connection	none
Protective cover	yes
Housing material	Aluminum die-cast
Housing surface material	Powder-coated, gray
Seal material	NBR
Material lock	Steel, galvanized
Material, protective cover	PA

### Environmental Product Compliance

China RoHS	Environmentally friendly use period: unlimited = EFUP-e
	No hazardous substances above threshold values

## Drawings

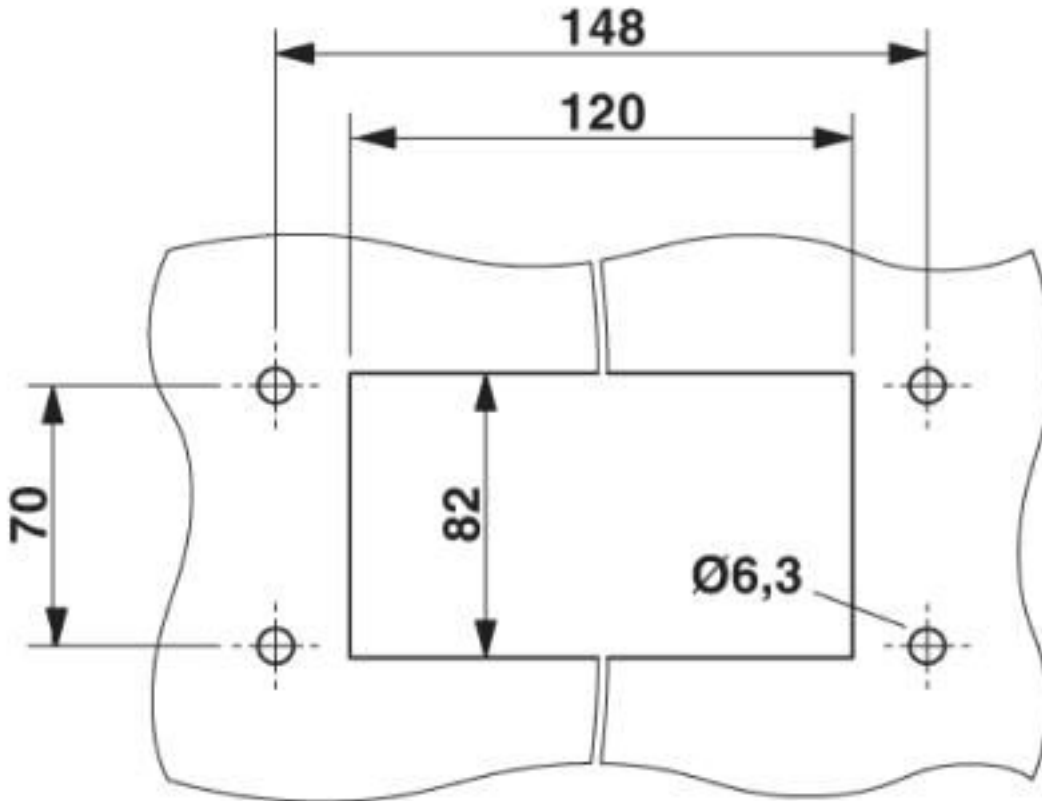
Dimensional drawing



Dimensional drawing

# Housing - HC-B 48-AMLD - 1772188

Dimensional drawing



Mounting cutout

## Classifications

eCl@ss

eCl@ss 10.0.1	27440202
eCl@ss 4.0	27140800
eCl@ss 4.1	27140800
eCl@ss 5.0	27143400
eCl@ss 5.1	27261200
eCl@ss 6.0	27261200
eCl@ss 7.0	27440202
eCl@ss 8.0	27440202
eCl@ss 9.0	27440202

ETIM

ETIM 2.0	EC000437
----------	----------

# Housing - HC-B 48-AMLD - 1772188

## Classifications

### ETIM

ETIM 3.0	EC000437
ETIM 4.0	EC000437
ETIM 5.0	EC000437
ETIM 6.0	EC000437
ETIM 7.0	EC000437

### UNSPSC

UNSPSC 6.01	31261502
UNSPSC 7.0901	31261502
UNSPSC 11	31261502
UNSPSC 12.01	31261502
UNSPSC 13.2	31261501
UNSPSC 18.0	31261501
UNSPSC 19.0	31261501
UNSPSC 20.0	31261501
UNSPSC 21.0	31261501

## Approvals

### Approvals

---

Approvals

EAC

---

Ex Approvals

---

### Approval details

EAC		RU C- DE.AI30.B.01102
-----	---	--------------------------

---