

## Housing - HC-B 10-AFQD - 1771341


Please be informed that the data shown in this PDF Document is generated from our Online Catalog. Please find the complete data in the user's documentation. Our General Terms of Use for Downloads are valid (<http://phoenixcontact.com/download>)



HEAVYCON B10 panel mounting base, for double locking latch, height: 29 mm, with plastic cover, with flat gasket



### Key Commercial Data

Packing unit	1 pc
Minimum order quantity	10 pc
GTIN	 4 017918 036072
GTIN	4017918036072
Weight per Piece (excluding packing)	119.540 g
Custom tariff number	85389099
Country of origin	Germany

### Technical data

#### Dimensions

Height	29 mm
Width	43 mm
Length	93 mm
Length of the assembly cutout	65 mm
Width of the assembly cutout	35 mm

#### Ambient conditions

Degree of protection of housing (IP)	IP65 (When plugged in)
Ambient temperature (operation)	-40 °C ... 125 °C

#### General

# Housing - HC-B 10-AFQD - 1771341

## Technical data

### General

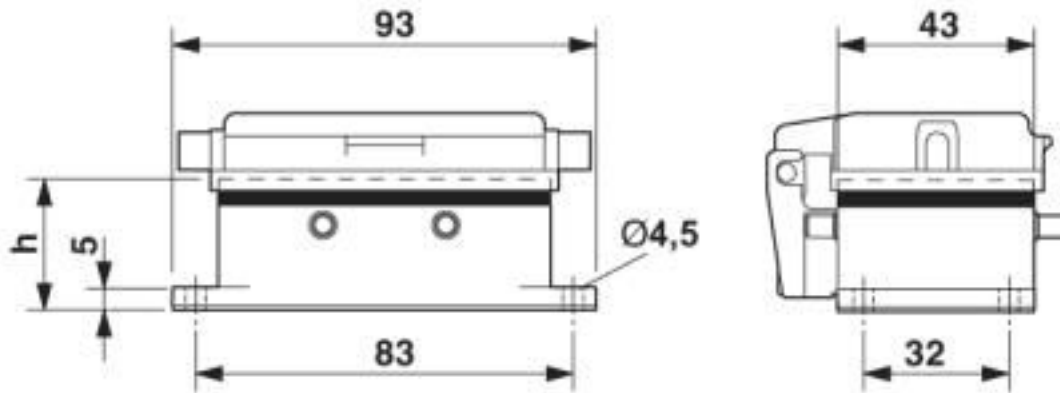
Note	For contact inserts HC-B10, BB18, DD42, M, K8/24
Size	B10
Housing type	Panel mounting base
Locking type	for double locking latch
Torque	1.5 Nm ... 2 Nm (Mounting screw)
Screw connection	none
Protective cover	yes
Housing material	Aluminum die-cast
Housing surface material	Powder-coated, gray
Material, protective cover	PA

### Environmental Product Compliance

China RoHS	Environmentally friendly use period: unlimited = EFUP-e
	No hazardous substances above threshold values

## Drawings

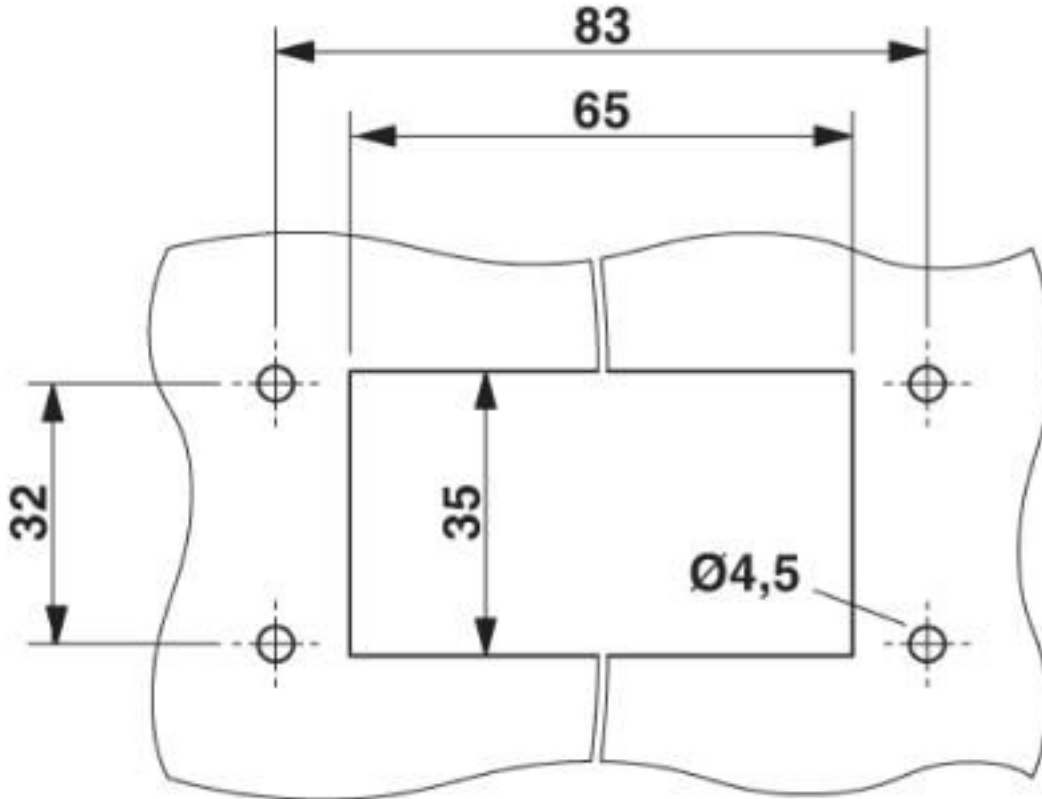
Dimensional drawing



Dimensional drawing

# Housing - HC-B 10-AFQD - 1771341

Dimensional drawing



Mounting cutout

## Classifications

eCl@ss

eCl@ss 10.0.1	27440202
eCl@ss 4.0	27140800
eCl@ss 4.1	27140800
eCl@ss 5.0	27143400
eCl@ss 5.1	27261200
eCl@ss 6.0	27261200
eCl@ss 7.0	27440202
eCl@ss 8.0	27440202
eCl@ss 9.0	27440202

ETIM

ETIM 2.0	EC000437
----------	----------

# Housing - HC-B 10-AFQD - 1771341

## Classifications

### ETIM

ETIM 3.0	EC000437
ETIM 4.0	EC000437
ETIM 5.0	EC000437
ETIM 6.0	EC000437
ETIM 7.0	EC000437

### UNSPSC

UNSPSC 6.01	31261502
UNSPSC 7.0901	31261502
UNSPSC 11	31261502
UNSPSC 12.01	31261502
UNSPSC 13.2	31261501
UNSPSC 18.0	31261501
UNSPSC 19.0	31261501
UNSPSC 20.0	31261501
UNSPSC 21.0	31261501

## Approvals

### Approvals

Approvals

EAC / EAC

Ex Approvals

### Approval details

EAC		RU C- DE.AI30.B.01102
-----	--	--------------------------

EAC		RU C- DE.AI30.B.01102
-----	--	--------------------------

## Housing - HC-B 10-AFQD - 1771341

### Accessories

#### Accessories

#### Housing latches

Double locking latch - HC-B 10-24-QB - 1637265



Replacement latch for HC-B10 / HC-B16/ HC-B24 housings with double locking latch (plastic design)

---

### Mounting material

Bearing block - HC-B/D-ERSLABO-SD-KU - 1408070



Spare bearing block for series B/D housing with plastic protective cover; consisting of bearing block, plate and two screws

---

### Seal

Profile gasket - HC-B 10-PR-DI - 1663035



Profile gasket for type B10 supporting base element

Flat gasket - HC-B 10-FL-DI - 1662146



Replacement flange seal, for HEAVYCON panel mounting base of type: B 10, self-adhesive, not for HC-...EMC housings, color: Black

## Housing - HC-B 10-AFQD - 1771341

### Accessories

Seal - HC-B 10-FL-DI-N - 1411449



Replacement flange seal, for HEAVYCON type B10 panel mounting base, latching, for panel mounting base with snapped-on flat gaskets, not for HC-....EMV housing, color: black