

Fuse holder - SI-H-FKS 15 - 1728996

Please be informed that the data shown in this PDF Document is generated from our Online Catalog. Please find the complete data in the user's documentation. Our General Terms of Use for Downloads are valid (<http://phoenixcontact.com/download>)




Printed circuit fuse carrier, for 5 mm wide automotive flat-type fuses up to max. 15 A

Your advantages

- Fuse holder for flat-type fuses with a maximum nominal voltage of 32 V

Key Commercial Data

Packing unit	1 pc
GTIN	 4 017918 025878
GTIN	4017918025878
Weight per Piece (excluding packing)	2.952 g
Custom tariff number	85369095
Country of origin	Mexico

Technical data

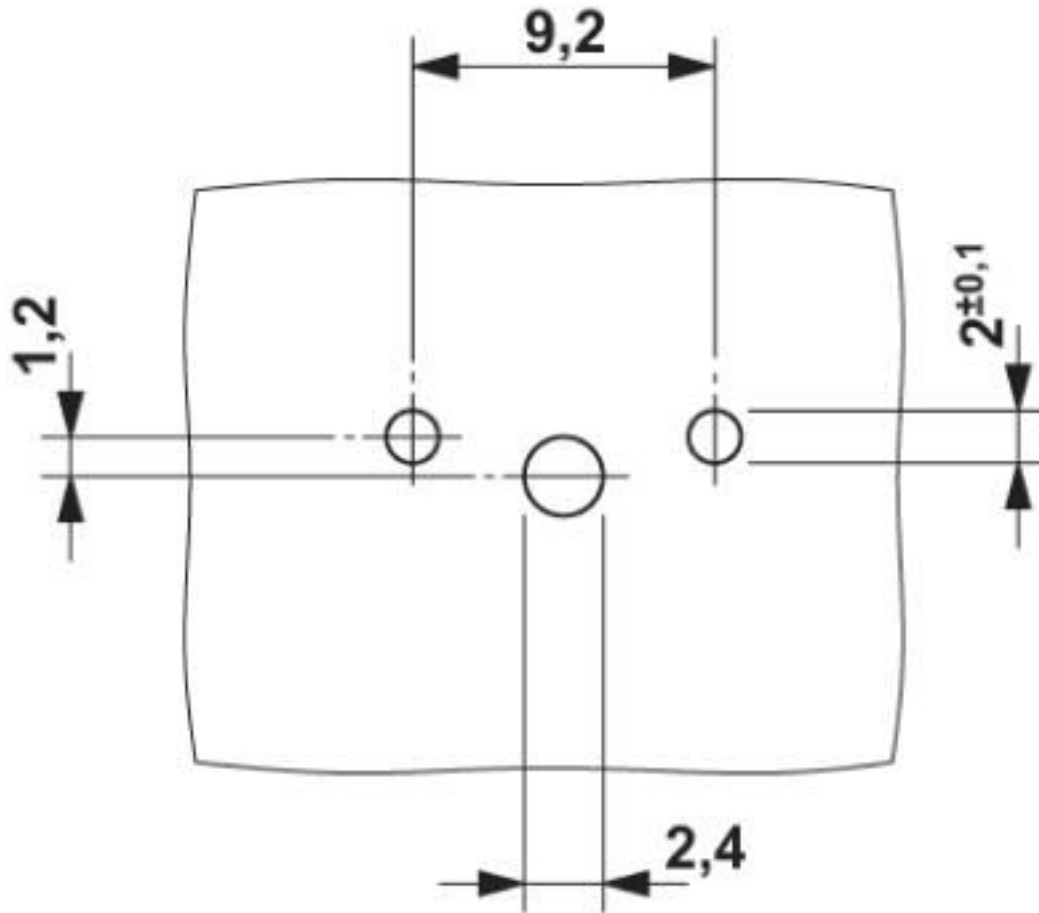
Environmental Product Compliance

China RoHS	Environmentally friendly use period: unlimited = EFUP-e
	No hazardous substances above threshold values

Drawings

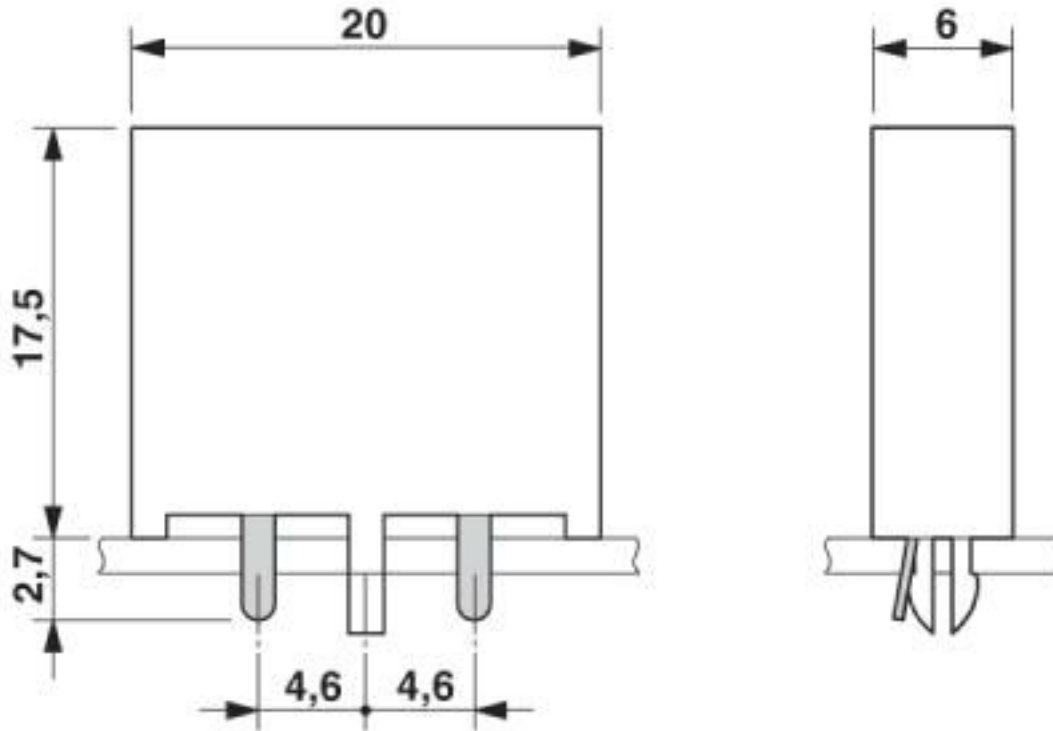
Fuse holder - SI-H-FKS 15 - 1728996

Drilling diagram



Fuse holder - SI-H-FKS 15 - 1728996

Dimensional drawing



Classifications

eCl@ss

eCl@ss 10.0.1	27142107
eCl@ss 4.0	27142100
eCl@ss 4.1	27142100
eCl@ss 5.0	27142100
eCl@ss 5.1	27142100
eCl@ss 6.0	27142100
eCl@ss 7.0	27142107
eCl@ss 8.0	27142107
eCl@ss 9.0	27142107

ETIM

ETIM 3.0	EC002298
ETIM 4.0	EC002498
ETIM 5.0	EC000036
ETIM 6.0	EC000036
ETIM 7.0	EC000036

Fuse holder - SI-H-FKS 15 - 1728996

Classifications

UNSPSC

UNSPSC 6.01	30211810
UNSPSC 7.0901	39121409
UNSPSC 11	39121409
UNSPSC 12.01	39121409
UNSPSC 13.2	39121409

Approvals


Approvals


Approvals

UL Recognized / EAC

Ex Approvals

Approval details

UL Recognized		http://database.ul.com/cgi-bin/XYV/template/LISEXT/1FRAME/index.htm	FILE E 60425
	B	C	
Nominal voltage UN	32 V	300 V	
Nominal current IN	15 A	15 A	

EAC		B.01687
-----	---	---------

Accessories

Accessories

Fuse

Fuse holder - SI-H-FKS 15 - 1728996

Accessories

Fuse - SI FORM C 2 A - 0913689



Flat-type plug-in fuse, type C, color code: gray, nominal current: 2 A

Fuse - SI FORM C 4 A DIN 72581 - 0913731



Flat-type plug-in fuse, type C, color code: pink, nominal current: 4 A

Fuse - SI FORM C 5 A DIN 72581 - 0913692



Flat-type plug-in fuse, type C, color code: light brown, nominal current: 5 A

Fuse - SI FORM C 7,5 A DIN 72581 - 0913702



Flat-type plug-in fuse, type C, color code: brown, nominal current: 7.5 A

Fuse - SI FORM C 10 A DIN 72581 - 0913715



Flat-type plug-in fuse, type C, color code: red, nominal current: 10 A

Fuse holder - SI-H-FKS 15 - 1728996

Accessories

Fuse - SI FORM C 15 A DIN 72581 - 0913676



Flat-type plug-in fuse, type C, color code: light blue, nominal current: 15 A
