

Sensor/actuator box - SACB-8/16-M23 180 - 1692789

Please be informed that the data shown in this PDF Document is generated from our Online Catalog. Please find the complete data in the user's documentation. Our General Terms of Use for Downloads are valid (<http://phoenixcontact.com/download>)



Sensor/actuator box, application: Standard, connection method: M12 socket Plastic, number of slots: 8, number of positions: 5, coding: A - standard, slot assignment: Double, status display: No, Universal; master cable connection: M23 plug connection 180°, shielding: no

Your advantages

- ✓ Safety in the field, thanks to molded housing and high degree of protection
- ✓ Flexible, distributed bundling of signals in one master cable
- ✓ Save space: distributor box with double occupancy for two sensors in one slot

RoHS

Key Commercial Data

Packing unit	1 pc
GTIN	 4 017918 177850
GTIN	4017918177850
Weight per Piece (excluding packing)	147.200 g
Custom tariff number	85366990
Country of origin	Poland

Technical data

General

Rated voltage	120 V AC
	120 V DC
Max. operating voltage U_{max}	135 V
Current carrying capacity per I/O signal	2 A
Current carrying capacity per slot	4 A
Total rated current	12 A
Number of positions	5

Sensor/actuator box - SACB-8/16-M23 180 - 1692789

Technical data

General

Number of slots	8
Flammability rating according to UL 94	V0
Sensor/actuator connection system	M12 socket
Note	NOTE: Observe the permissible bending radii when laying conductors, since the degree of protection may be put in jeopardy if the bending forces are too high. Alleviate mechanical loads upstream of the connector, e.g. by using cable ties.
	Unused slots are to be sealed off prior to commissioning. Suitable sealing elements are to be found under "Accessories".

Ambient conditions

Degree of protection	IP65
	IP67
Ambient temperature (operation)	-20 °C ... 75 °C

Master cable data/connection data

Connection method	M23 plug connection
Tightening torque slot sensor/actuator cable	0.4 Nm

Insulation material

Housing material	PA
Contact material	CuSn
Contact surface material	Ni/Au
Contact carrier material	PA
Material of contact, master cable side	CU alloy
Material of contact surface, master cable side	Gold-plated
Material of the contact carrier on the master cable side	PA
Material of threaded sleeve	PA
O-ring material	NBR

Pin assignment

Slot/position = Wire color or connection	1 / 4 (A) = 15
	1 / 2 (B) = 7
	2 / 4 (A) = 5
	2 / 2 (B) = 4
	3 / 4 (A) = 16
	3 / 2 (B) = 8
	4 / 4 (A) = 3
	4 / 2 (B) = 14
	5 / 4 (A) = 17
	5 / 2 (B) = 9

Sensor/actuator box - SACB-8/16-M23 180 - 1692789

Technical data

Pin assignment

	6 / 4 (A) = 2
	6 / 2 (B) = 13
	7 / 4 (A) = 11
	7 / 2 (B) = 10
	8 / 4 (A) = 1
	8 / 2 (B) = 18
	1-8 / 1 (+ 120 V) = 19
	1-8 / 3 (0 V) = 6
	1-8 / 5 (PE) = 12

Standards and Regulations

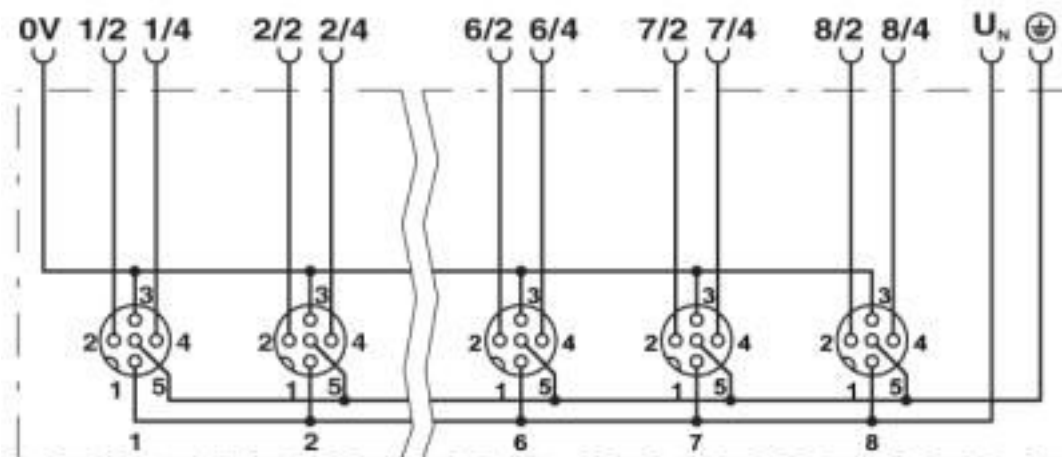
Connection in acc. with standard	CUL
Flammability rating according to UL 94	V0

Environmental Product Compliance

REACH SVHC	Lead 7439-92-1
China RoHS	Environmentally Friendly Use Period = 50 years
	For details about hazardous substances go to tab "Downloads", Category "Manufacturer's declaration"

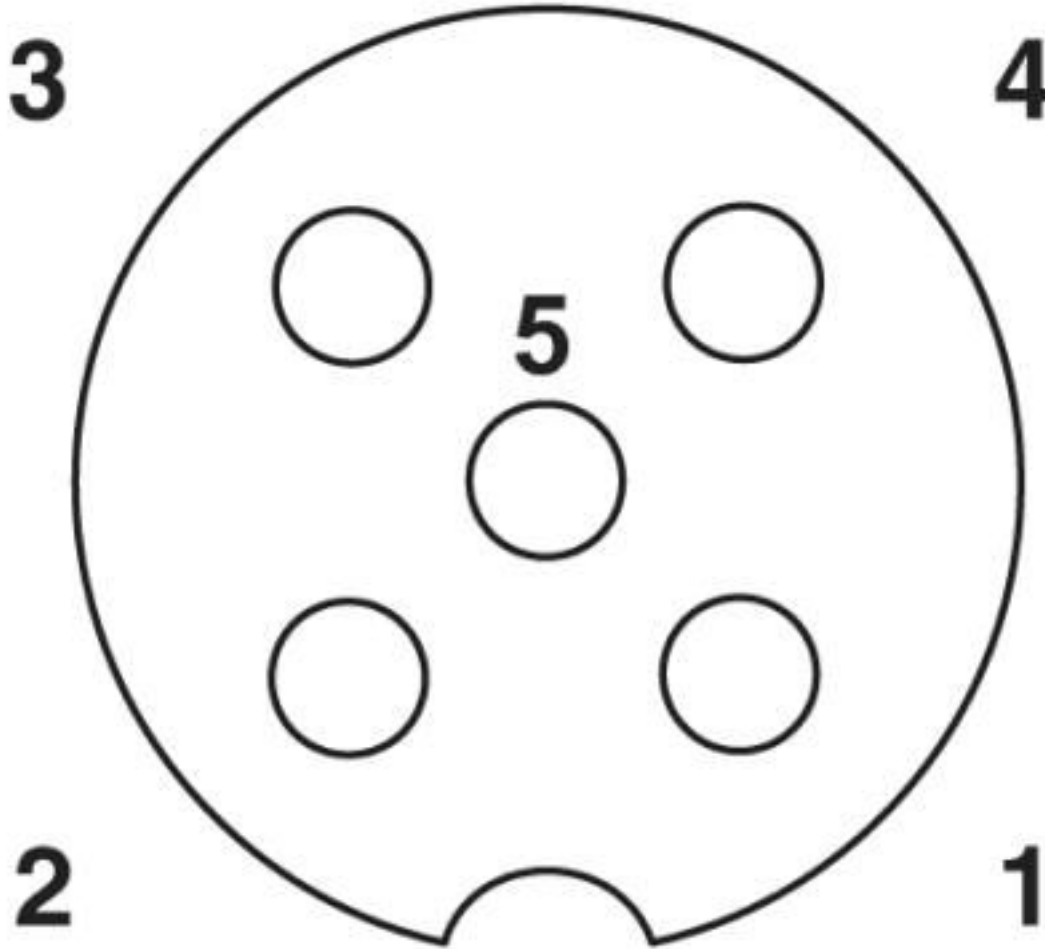
Drawings

Circuit diagram



Sensor/actuator box - SACB-8/16-M23 180 - 1692789

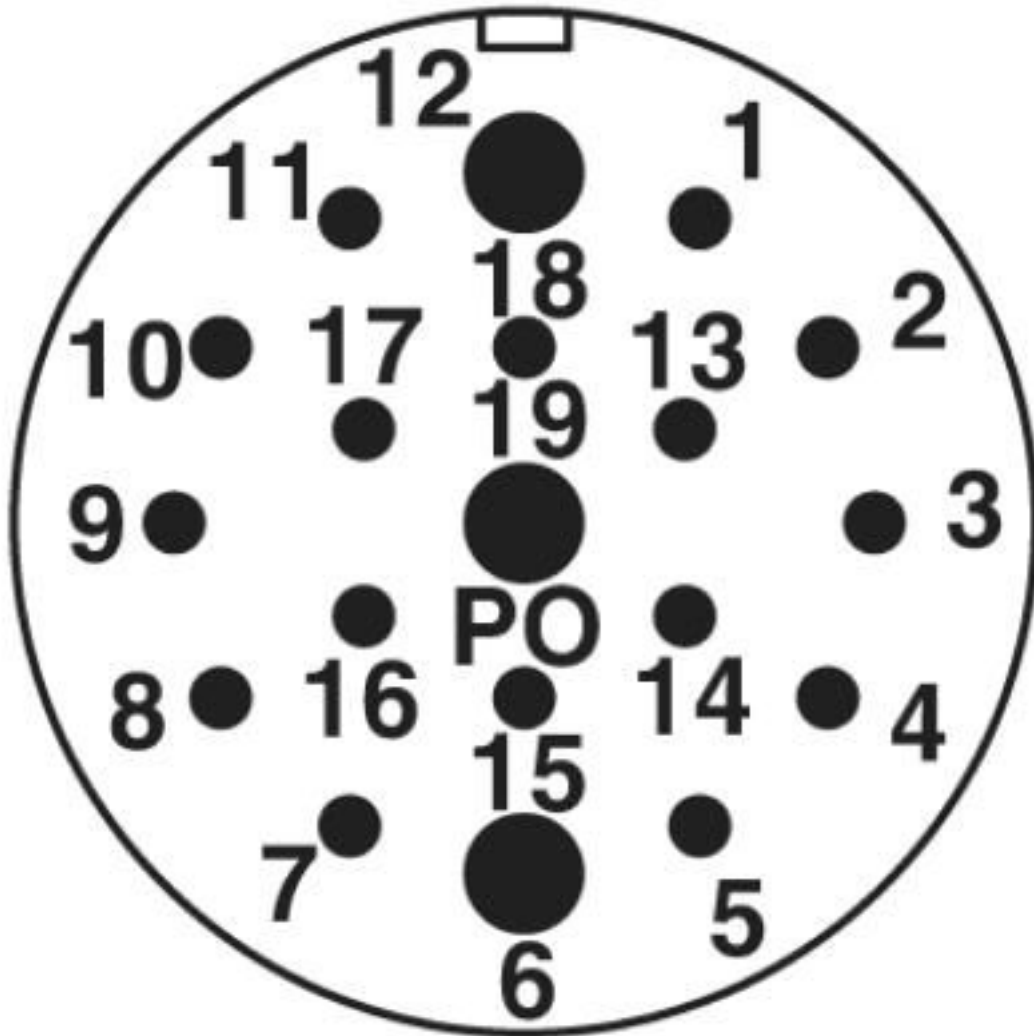
Schematic diagram



M12 slot, socket, 5-pos.

Sensor/actuator box - SACB-8/16-M23 180 - 1692789

Schematic diagram



M23 plug connection pin, 19-pos.

Classifications

eCl@ss

eCl@ss 10.0.1	27440108
eCl@ss 4.0	27140800
eCl@ss 4.1	27140800
eCl@ss 5.0	27143400
eCl@ss 5.1	27250300

Sensor/actuator box - SACB-8/16-M23 180 - 1692789

Classifications

eCl@ss

eCl@ss 6.0	27279200
eCl@ss 7.0	27279219
eCl@ss 8.0	27279219
eCl@ss 9.0	27440108

ETIM

ETIM 2.0	EC000200
ETIM 3.0	EC001856
ETIM 4.0	EC002585
ETIM 5.0	EC002585
ETIM 6.0	EC002585
ETIM 7.0	EC002585

UNSPSC

UNSPSC 6.01	31261501
UNSPSC 7.0901	31261501
UNSPSC 11	31261501
UNSPSC 12.01	31261501
UNSPSC 13.2	31251501
UNSPSC 19.0	31251501
UNSPSC 20.0	31251501
UNSPSC 21.0	31251501

Approvals

Approvals

Approvals

UL Recognized / cUL Recognized / EAC / EAC / cULus Recognized

Ex Approvals

Approval details

Sensor/actuator box - SACB-8/16-M23 180 - 1692789

Approvals

UL Recognized		http://database.ul.com/cgi-bin/XYV/template/LISEXT/1FRAME/index.htm	FILE E 118976
Nominal voltage UN		120 V	
mm ² /AWG/kcmil		22-16	

cUL Recognized		http://database.ul.com/cgi-bin/XYV/template/LISEXT/1FRAME/index.htm	FILE E 118976
Nominal voltage UN		120 V	
mm ² /AWG/kcmil		22-16	

EAC		EAC-Zulassung
-----	--	---------------

EAC		RU C- DE.BL08.B.00511
-----	--	--------------------------

cULus Recognized	
------------------	--

Accessories

Accessories

Device marking

Zack marker strip - ZBN 18:UNBEDRUCKT - 2809128



Zack marker strip, Strip, white, unlabeled, can be labeled with: CMS-P1-PLOTTER, PLOTMARK, mounting type: snap into tall marker groove, for terminal block width: 18 mm, lettering field size: 18 x 5 mm, Number of individual labels: 5

Master cable, assembled

Sensor/actuator box - SACB-8/16-M23 180 - 1692789

Accessories

Master cable - RCK-TGUM/BL16+3/ 5,0PUR-U - 1684056



Master cable, application: Sensor/actuator box Plastic, number of positions: 19, slot assignment: Double, status display: No; master cable connection: M23 plug connection, PUR/PVC, cable length: 5 m, shielding: no

Master cable - RCK-TGUM/BL16+3/10,0PUR-U - 1684069



Master cable, application: Sensor/actuator box Plastic, number of positions: 19, slot assignment: Double, status display: No; master cable connection: M23 plug connection, PUR/PVC, cable length: 10 m, shielding: no

Master cable - RCK-TWUM/BL16+3/ 5,0PUR-U - 1684072



Master cable, application: Sensor/actuator box, connection method: M12 socket Plastic, number of positions: 19, slot assignment: Double, status display: No; master cable connection: M23 plug connection, PUR/PVC, cable length: 5 m, shielding: no

Master cable - RCK-TWUM/BL16+3/10,0PUR-U - 1684085



Master cable, application: Sensor/actuator box, connection method: M12 socket Plastic, number of positions: 19, slot assignment: Double, status display: No; master cable connection: M23 plug connection, PUR/PVC, cable length: 10 m, shielding: no

Female connector - V-RC/TGUM 13/KVD 13/LBL 16+3 - 1000042



M23 socket, 19-pos., straight, freely configurable, with solder connection, for external cable diameter of 10 mm ... 14 mm

Sensor/actuator box - SACB-8/16-M23 180 - 1692789

Accessories

Female connector - V-RC/TWUM 13/KVD 13/LBL 16+3 - 1000044

M23 socket, 19-pos., angled, freely configurable, with solder connection, for external cable diameter of 10 mm ... 14 mm



Plug for cable screw gland

Screw plug - PROT-M12 - 1680539



An M12 screw plug for the unoccupied M12 sockets of the sensor/actuator cable, boxes and flush-type connectors

Protective cap

Protective cap - MSK 1 - 1665897



M23 metal sealing cap, for unoccupied M23 connectors, without steel wire

Protective cap - MSK 2 - 1665907



M23 metal sealing cap, for unoccupied M23 connectors, with steel wire

Protective cap - KSK 1 - 1685013



Plastic sealing cap, for unoccupied M23 connectors

Sensor/actuator box - SACB-8/16-M23 180 - 1692789

Accessories

Screwdriver tools

Tool - SAC BIT M12-D15 - 1208432



Nut for assembling sensor/actuator cables with M12 connector and M12 connectors for assembly, with a knurl diameter of 15 mm, for 4 mm hexagonal drive

Tool - SACC BIT M12-D20 - 1208445



Nut for assembling M12 connectors for assembly with a knurl diameter of 20 mm, for 4 mm hexagonal drive

Torque tool

Torque screwdriver - TSD 04 SAC - 1208429



Torque screwdriver, with preset torque of 0.4 Nm and 4 mm hexagonal drive for M12 connectors

Pipe spanner - PLUSCON-RCS - 1665062



Special pipe spanner, tool for mounting the M23 connector housing (with assembly), for coupling and sleeve housing
