

Panel mounting frames - VS-08-A-RJ45/MOD-1-R-IP67 - 1689844

Please be informed that the data shown in this PDF Document is generated from our Online Catalog. Please find the complete data in the user's documentation. Our General Terms of Use for Downloads are valid (<http://phoenixcontact.com/download>)



RJ45 panel mounting frame, IP67, for modular socket inserts (Keystone), for round panel cutout, with grommet, with thread and union nut, color: gray



Key Commercial Data

Packing unit	1 pc
GTIN	 4 017918 970802
GTIN	4017918970802
Weight per Piece (excluding packing)	11.600 g
Custom tariff number	85389099
Country of origin	Germany

Technical data

Mechanical characteristics

Number of slots	1
Degree of pollution	2
Weight	10.9 g
Flammability rating according to UL 94	V0

Ambient conditions

Ambient temperature (operation)	-40 °C ... 80 °C
Ambient temperature (assembly)	-5 °C ... 55 °C
Ambient temperature (storage/transport)	-40 °C ... 70 °C

Material data

Housing material	PA
------------------	----

Panel mounting frames - VS-08-A-RJ45/MOD-1-R-IP67 - 1689844

Technical data

Material data

Width	36 mm
Height	36 mm
Depth	16.5 mm

Electrical characteristics

Degree of pollution	2
---------------------	---

Standards and Regulations

Flammability rating according to UL 94	V0
--	----

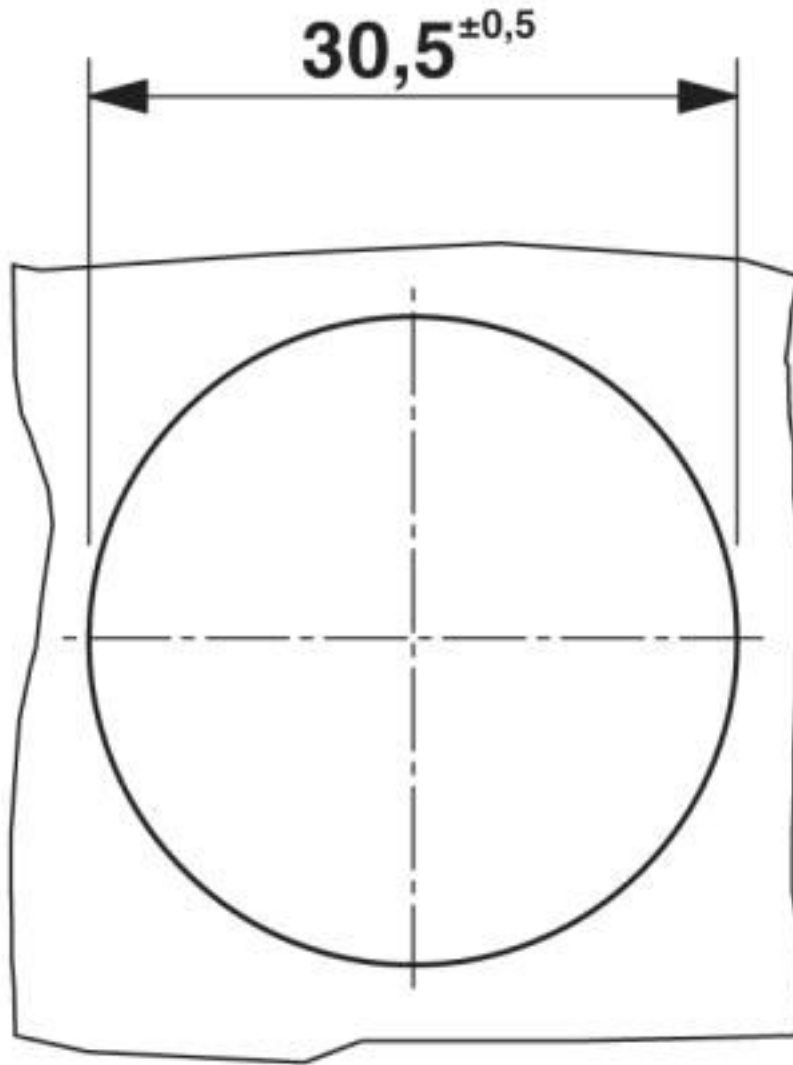
Environmental Product Compliance

China RoHS	Environmentally friendly use period: unlimited = EFUP-e
	No hazardous substances above threshold values

Drawings

Panel mounting frames - VS-08-A-RJ45/MOD-1-R-IP67 - 1689844

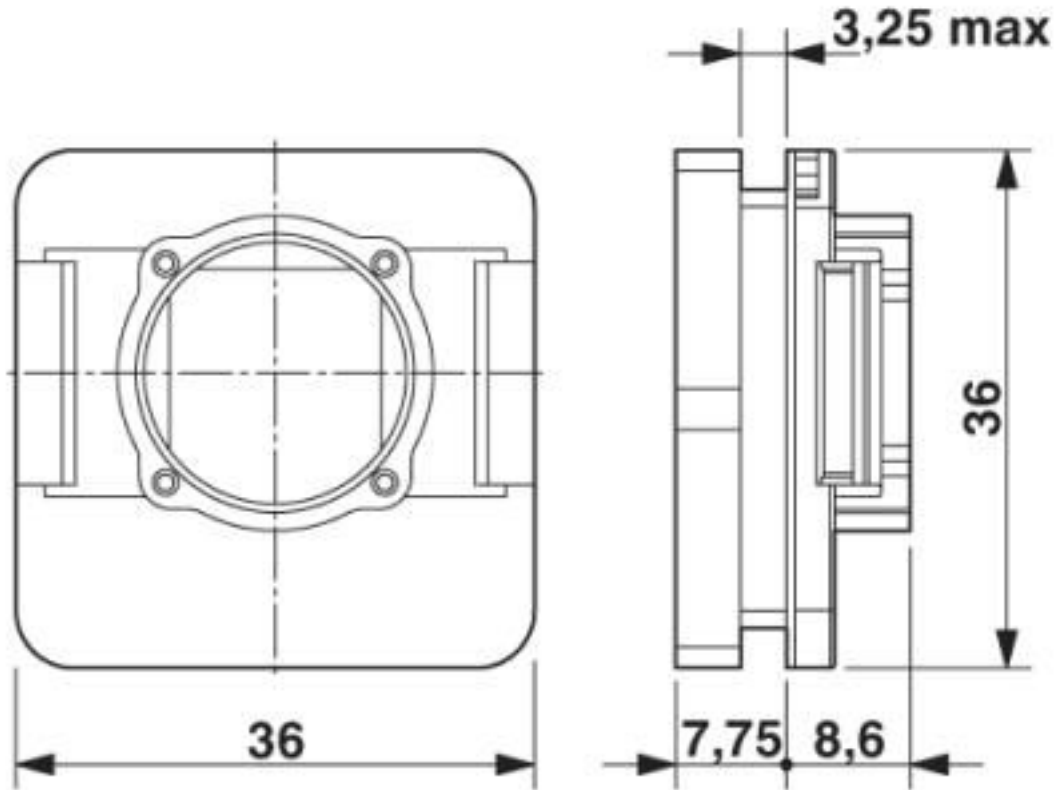
Dimensional drawing



Mounting cutout

Panel mounting frames - VS-08-A-RJ45/MOD-1-R-IP67 - 1689844

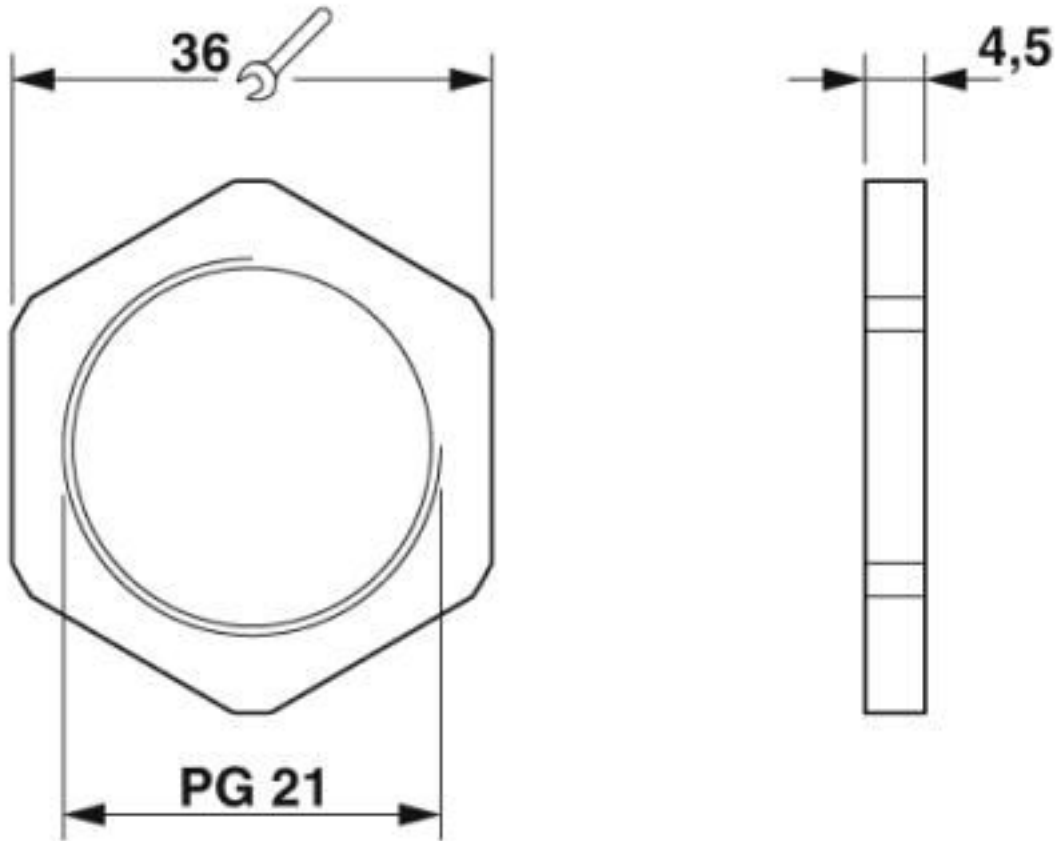
Dimensional drawing



RJ45 panel mounting frame, IP67

Panel mounting frames - VS-08-A-RJ45/MOD-1-R-IP67 - 1689844

Dimensional drawing



Union nut

Classifications

eCl@ss

eCl@ss 10.0.1	27440210
eCl@ss 4.0	27260700
eCl@ss 4.1	27260700
eCl@ss 5.0	27260700
eCl@ss 5.1	27260700
eCl@ss 6.0	27261200
eCl@ss 7.0	27440210
eCl@ss 8.0	27440210
eCl@ss 9.0	27440210

Panel mounting frames - VS-08-A-RJ45/MOD-1-R-IP67 - 1689844

Classifications

ETIM

ETIM 2.0	EC000764
ETIM 3.0	EC001121
ETIM 4.0	EC002310
ETIM 5.0	EC002310
ETIM 6.0	EC002310
ETIM 7.0	EC002310

UNSPSC

UNSPSC 6.01	31261501
UNSPSC 7.0901	31261501
UNSPSC 11	31261501
UNSPSC 12.01	31261501
UNSPSC 13.2	39121421
UNSPSC 18.0	39121421
UNSPSC 19.0	39121421
UNSPSC 20.0	39121421
UNSPSC 21.0	39121421

Approvals


Approvals

Approvals

EAC

Ex Approvals

Approval details

EAC		B.01687
-----	---	---------

Accessories

Accessories

Data plug

Panel mounting frames - VS-08-A-RJ45/MOD-1-R-IP67 - 1689844

Accessories

RJ45 socket insert - VS-08-BU-RJ45/KA/LSA - 1689459



RJ45 socket insert, modular (Keystone), CAT5e, 8-pos., shielded, with cable connection (LSA), for solid wires AWG 26 ... 22

Female insert

RJ45 coupling - CUC-K-D1ZNI-S/R4GCHP8 - 1086108



RJ45 coupling, degree of protection: IP20, number of positions: 8, 10 Gbps, CAT6_A, material: Zinc die-cast, connection method: 2x RJ45, Keystone design for use with IP20 and IP67 panel mounting frame or integrated directly into the housing panel

RJ45 coupling - VS-08-BU-RJ45/BU - 1689064



RJ45 coupling, degree of protection: IP20, number of positions: 8, 1 Gbps, CAT5 (IEC 11801:2002), material: Fiberglass, PBT, connection method: Female, Keystone

RJ45 socket insert - VS-08-BU-RJ45-6/KA/LSA - 1653168



RJ45 socket insert, modular (Keystone), CAT6, 8-pos., shielded, with cable connection (LSA), for litz and solid wires AWG 26 ... 22

RJ45 socket insert - VS-08-BU-RJ45-6-MOD/BU - 1653155



RJ45 socket insert, degree of protection: IP20, number of positions: 8, 1 Gbps, CAT6, material: Zinc die-cast, connection method: 2x RJ45, Keystone

Panel mounting frames - VS-08-A-RJ45/MOD-1-R-IP67 - 1689844

Accessories

RJ11 socket insert - VS-RJ11-BU-MOD/BU - 1656356



Socket insert RJ11, modular system (Keystone), 6-pos., unshielded

Protective cover

Protective covers - VS-08-SD - 1689200



Protective cover, IP67, tall design

Protective covers - VS-08-SD-F - 1652606



Protective cover, IP67, flat design, to cover the contact insert in the panel mounting frame, color: gray
