

## D-SUB EMC inner sleeve - VS-25-TI-2 EMV - 1689802


Please be informed that the data shown in this PDF Document is generated from our Online Catalog. Please find the complete data in the user's documentation. Our General Terms of Use for Downloads are valid (<http://phoenixcontact.com/download>)



D-SUB EMC inner sleeve, shell size 3, for sleeve housing VS-25-...



### Key Commercial Data

Packing unit	1 pc
Minimum order quantity	5 pc
GTIN	 4 017918 915483
GTIN	4017918915483
Weight per Piece (excluding packing)	43.300 g
Custom tariff number	85389099
Country of origin	Germany

### Technical data

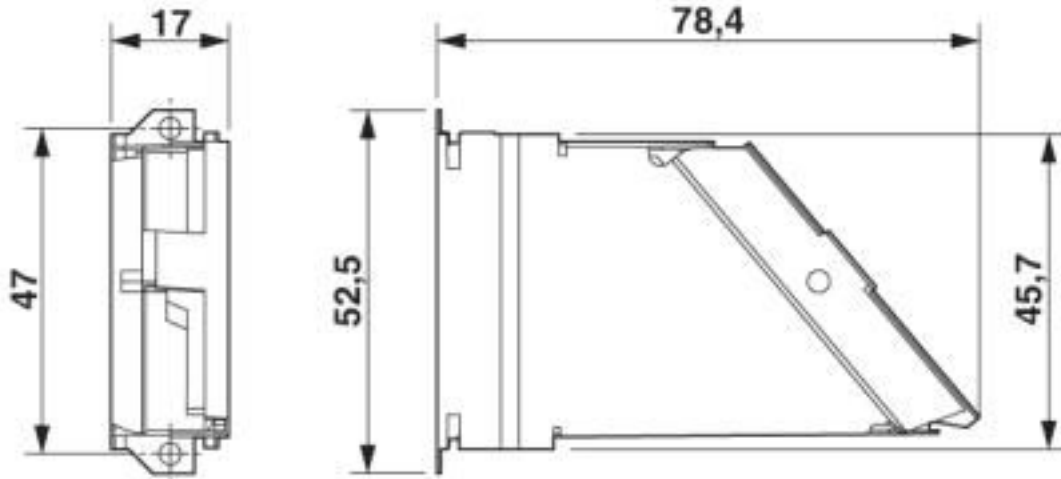
#### Environmental Product Compliance

REACH SVHC	Lead 7439-92-1
China RoHS	Environmentally Friendly Use Period = 50 years
	For details about hazardous substances go to tab "Downloads", Category "Manufacturer's declaration"

### Drawings

## D-SUB EMC inner sleeve - VS-25-TI-2 EMV - 1689802

Dimensional drawing



D-SUB EMC inner sleeve

### Classifications

eCl@ss

eCl@ss 10.0.1	27440213
eCl@ss 4.0	27260700
eCl@ss 4.1	27260700
eCl@ss 5.0	27260700
eCl@ss 5.1	27261200
eCl@ss 6.0	27261200
eCl@ss 7.0	27440202
eCl@ss 8.0	27440213
eCl@ss 9.0	27440213

ETIM

ETIM 2.0	EC000437
ETIM 3.0	EC000437
ETIM 4.0	EC002641
ETIM 5.0	EC001133
ETIM 6.0	EC001133
ETIM 7.0	EC001133

UNSPSC

UNSPSC 6.01	31261501
UNSPSC 7.0901	31261501

## D-SUB EMC inner sleeve - VS-25-TI-2 EMV - 1689802

### Classifications

#### UNSPSC

UNSPSC 11	31261501
UNSPSC 12.01	31261501
UNSPSC 13.2	31261501
UNSPSC 18.0	39121421
UNSPSC 19.0	39121421
UNSPSC 20.0	39121421
UNSPSC 21.0	39121421