

Panel mounting frame set - VS-08-A-RJ45/MOD-1-IP67-SET-BU - 1689488


Please be informed that the data shown in this PDF Document is generated from our Online Catalog. Please find the complete data in the user's documentation. Our General Terms of Use for Downloads are valid (<http://phoenixcontact.com/download>)



RJ45 panel mounting frame, IP67, for square panel cutout, with grommet, without mounting screws, with RJ45 socket insert, CAT5e, socket on socket



Key Commercial Data

Packing unit	1 pc
Minimum order quantity	5 pc
GTIN	 4 017918 887292
GTIN	4017918887292
Weight per Piece (excluding packing)	16.120 g
Custom tariff number	85369010
Country of origin	Germany

Technical data

Mechanical characteristics

Weight	7.23 g
Flammability rating according to UL 94	V0

Ambient conditions

Degree of protection	IP67 (plugged in)
	IP20 (Not plugged in)

Electrical characteristics

Rated voltage (III/3)	72 V (DC)
-----------------------	-----------

Standards and Regulations

Flammability rating according to UL 94	V0
--	----

Panel mounting frame set - VS-08-A-RJ45/MOD-1-IP67-SET-BU - 1689488

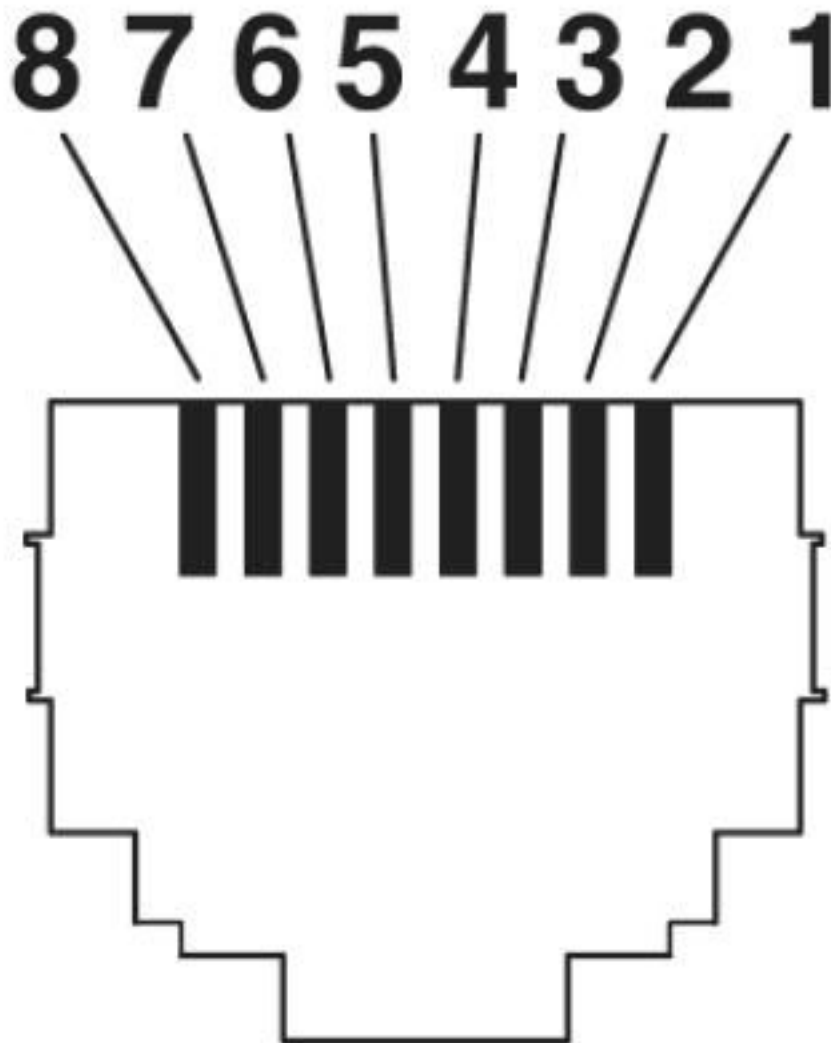
Technical data

Environmental Product Compliance

China RoHS	Environmentally Friendly Use Period = 50 years
	For details about hazardous substances go to tab "Downloads", Category "Manufacturer's declaration"

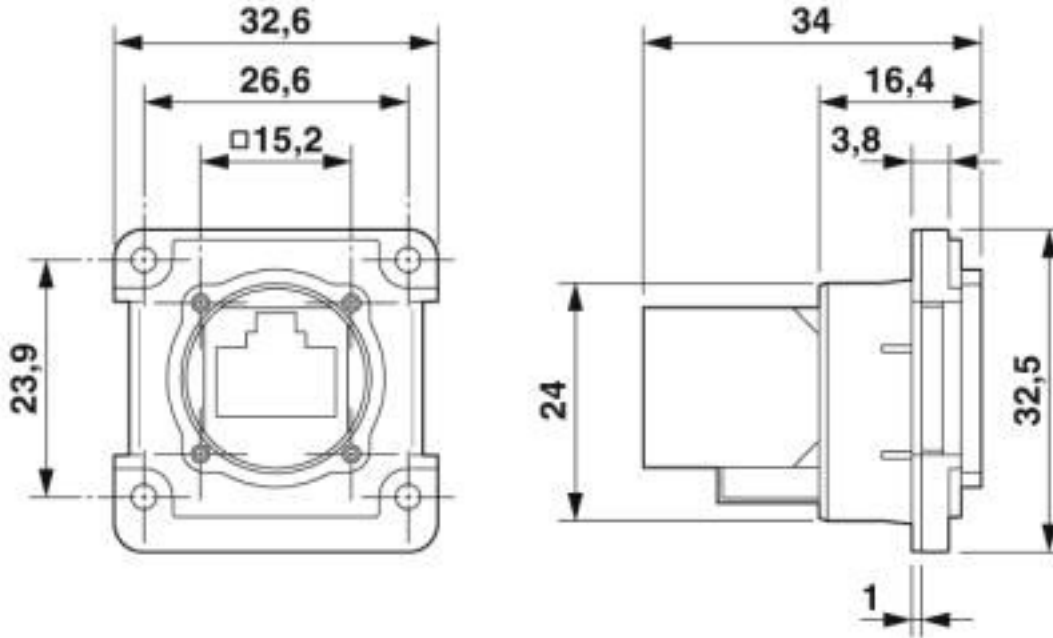
Drawings

Schematic diagram



Panel mounting frame set - VS-08-A-RJ45/MOD-1-IP67-SET-BU - 1689488

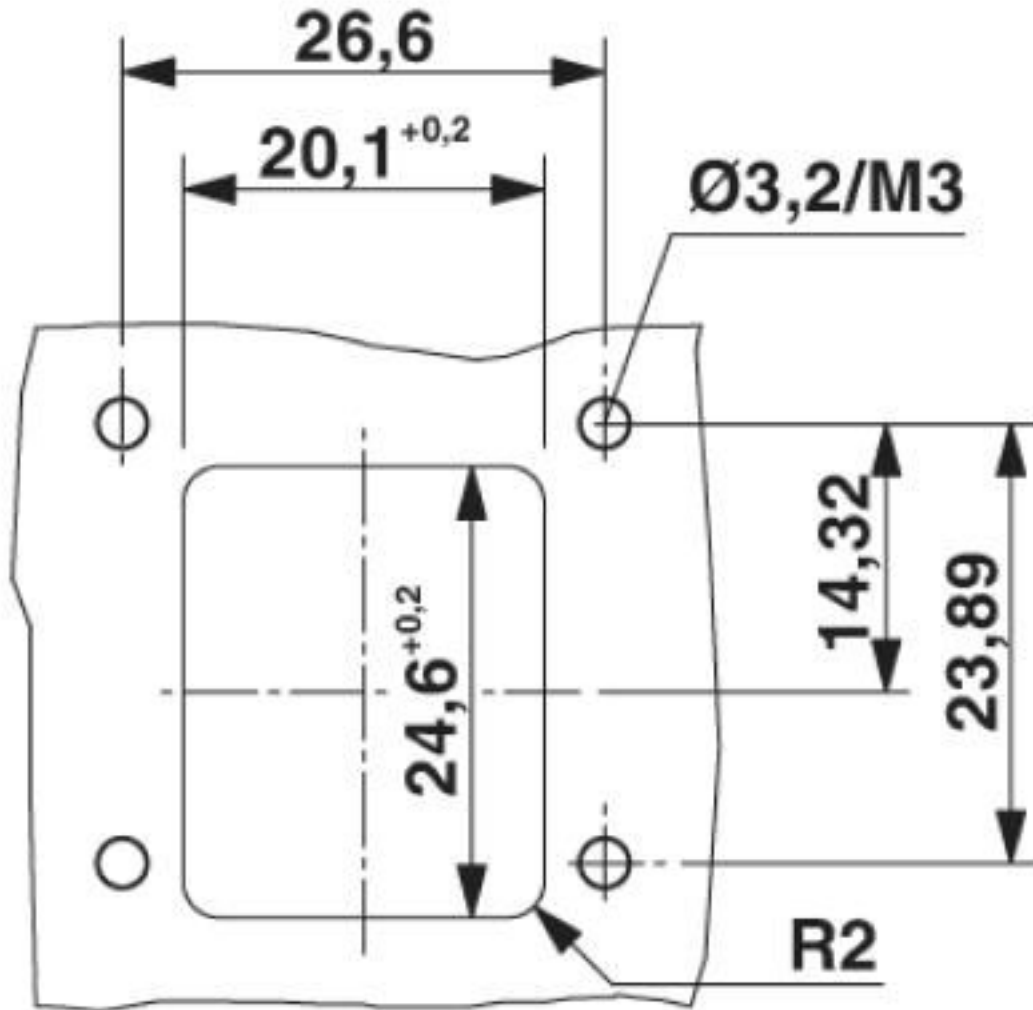
Dimensional drawing



RJ45 panel mounting frame, IP67

Panel mounting frame set - VS-08-A-RJ45/MOD-1-IP67-SET-BU - 1689488

Dimensional drawing



Mounting cutout

Classifications

eCl@ss

eCl@ss 10.0.1	27440210
eCl@ss 4.0	27260700
eCl@ss 4.1	27260700
eCl@ss 5.0	27260700
eCl@ss 5.1	27260700
eCl@ss 6.0	27261200

Panel mounting frame set - VS-08-A-RJ45/MOD-1-IP67-SET-BU - 1689488

Classifications

eCl@ss

eCl@ss 7.0	27440210
eCl@ss 8.0	27440210
eCl@ss 9.0	27440210

ETIM

ETIM 2.0	EC000764
ETIM 3.0	EC001121
ETIM 4.0	EC002310
ETIM 5.0	EC002310
ETIM 6.0	EC002310
ETIM 7.0	EC002310

UNSPSC

UNSPSC 6.01	31261501
UNSPSC 7.0901	31261501
UNSPSC 11	31261501
UNSPSC 12.01	31261501
UNSPSC 13.2	39121421
UNSPSC 18.0	39121421
UNSPSC 19.0	39121421
UNSPSC 20.0	39121421
UNSPSC 21.0	39121421

Approvals


Approvals

Approvals

EAC

Ex Approvals

Approval details

EAC		B.01742
-----	---	---------

Panel mounting frame set - VS-08-A-RJ45/MOD-1-IP67-SET-BU - 1689488

Accessories

Accessories

Protective cover

Protective covers - VS-08-SD - 1689200

Protective cover, IP67, tall design



Protective covers - VS-08-SD-F - 1652606

Protective cover, IP67, flat design, to cover the contact insert in the panel mounting frame, color: gray

