

## Sleeve housing - VS-08-T-RJ45/IP67-SET - 1689475


Please be informed that the data shown in this PDF Document is generated from our Online Catalog. Please find the complete data in the user's documentation. Our General Terms of Use for Downloads are valid (<http://phoenixcontact.com/download>)



RJ45 sleeve housing, IP67, with push-pull interlocking for panel mounting frames, for cable cross section 5.0 mm ... 6.5 mm, with pin insert VS-08-ST-RJ45, CAT5e, for litz wires AWG 26 and solid wires AWG 26 ... 24



### Key Commercial Data

Packing unit	1 pc
Minimum order quantity	5 pc
GTIN	 4 017918 887308
GTIN	4017918887308
Weight per Piece (excluding packing)	18.150 g
Custom tariff number	85369010
Country of origin	Germany

### Technical data

#### Mechanical characteristics

Overvoltage category	II
Degree of pollution	2
Cable outlet	straight
No. of cable outlets	1
Weight	18.15 g

#### Ambient conditions

Ambient temperature (operation)	0 °C ... 70 °C
---------------------------------	----------------

#### Material data

Housing material	PA
------------------	----

# Sleeve housing - VS-08-T-RJ45/IP67-SET - 1689475

## Technical data

### Electrical characteristics

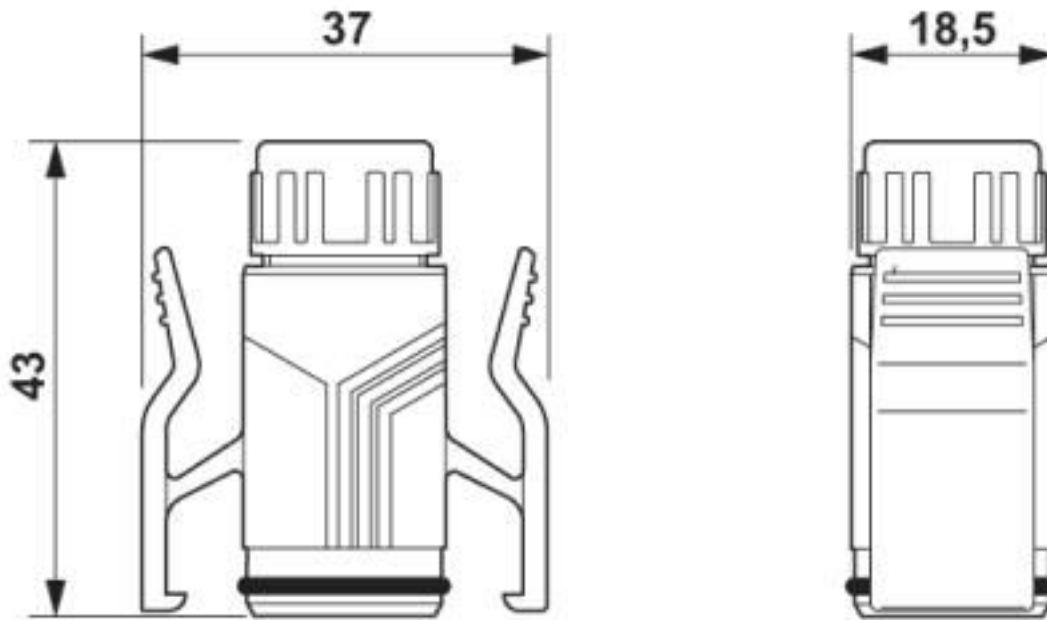
Number of positions	8
Overvoltage category	II
Degree of pollution	2
Rated voltage (III/3)	72 V (DC)

### Environmental Product Compliance

China RoHS	Environmentally friendly use period: unlimited = EFUP-e
	No hazardous substances above threshold values

## Drawings

Dimensional drawing



RJ45 sleeve housing IP67

## Classifications

eCl@ss

eCl@ss 10.0.1	27440202
eCl@ss 4.0	27260700
eCl@ss 4.1	27260700
eCl@ss 5.0	27260700

# Sleeve housing - VS-08-T-RJ45/IP67-SET - 1689475

## Classifications

### eCl@ss

eCl@ss 5.1	27261200
eCl@ss 6.0	27261200
eCl@ss 7.0	27440202
eCl@ss 8.0	27440202
eCl@ss 9.0	27440202

### ETIM

ETIM 2.0	EC000764
ETIM 3.0	EC001121
ETIM 4.0	EC001121
ETIM 5.0	EC000437
ETIM 6.0	EC000437
ETIM 7.0	EC000437

### UNSPSC

UNSPSC 6.01	31261501
UNSPSC 7.0901	31261501
UNSPSC 11	31261501
UNSPSC 12.01	31261501
UNSPSC 13.2	31261501
UNSPSC 18.0	31261501
UNSPSC 19.0	31261501
UNSPSC 20.0	31261501
UNSPSC 21.0	31261501

## Approvals

### Approvals

---

Approvals

EAC

---

Ex Approvals

---

### Approval details

## Sleeve housing - VS-08-T-RJ45/IP67-SET - 1689475

### Approvals

EAC



B.01742