

RJ45 coupling - VS-08-KU-IP67 - 1689268

Please be informed that the data shown in this PDF Document is generated from our Online Catalog. Please find the complete data in the user's documentation. Our General Terms of Use for Downloads are valid (<http://phoenixcontact.com/download>)



RJ45 coupling, IP67, CAT5e, with protective cover, color: gray


Your advantages

- Permanent mounting is also an option
- Including covers to protect against environmental influences

RoHS

Ethernet

Key Commercial Data

Packing unit	1 pc
GTIN	 4 017918 938185
GTIN	4017918938185
Weight per Piece (excluding packing)	53.200 g
Custom tariff number	85366990
Country of origin	Germany

Technical data

Mechanical characteristics

Connection method	Coupling
Number of slots	1
Overvoltage category	I
Degree of pollution	1
Cable outlet	straight
Weight	44.94 g
Flammability rating according to UL 94	V0

RJ45 coupling - VS-08-KU-IP67 - 1689268

Technical data

Ambient conditions

Ambient temperature (operation)	-10 °C ... 60 °C
Ambient temperature (assembly)	-5 °C ... 55 °C
Ambient temperature (storage/transport)	-40 °C ... 70 °C
Degree of protection	IP67

Material data

Contact surface material	Gold over nickel
Contact material	Copper alloy
Contact carrier material	Thermoplastic
Housing material	PBT

Electrical characteristics

Number of positions	8
Nominal voltage U_N	48 V
Transmission characteristics (category)	CAT5 (IEC 11801:2002)
GRP transmission properties	CAT5 (IEC 11801:2002) CAT5 (IEC 11801:2002)
Rated current	1 A
Overvoltage category	I
Degree of pollution	1
Rated voltage (III/3)	72 V (DC)
Insulation resistance	$\geq 500 \text{ M}\Omega$

Standards and Regulations

Connection in acc. with standard	CUL
Flammability rating according to UL 94	V0

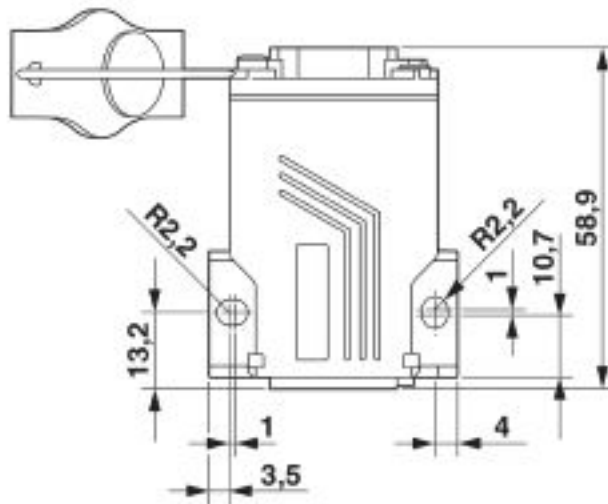
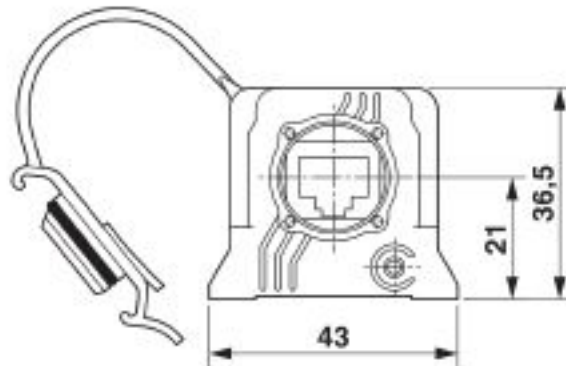
Environmental Product Compliance

China RoHS	Environmentally friendly use period: unlimited = EFUP-e
	No hazardous substances above threshold values

Drawings

RJ45 coupling - VS-08-KU-IP67 - 1689268

Dimensional drawing



RJ45 coupling

Classifications

eCl@ss

eCl@ss 10.0.1	27440202
eCl@ss 4.0	27260700
eCl@ss 4.1	27260700
eCl@ss 5.0	27260700
eCl@ss 5.1	27261200

RJ45 coupling - VS-08-KU-IP67 - 1689268

Classifications

eCl@ss

eCl@ss 6.0	27261200
eCl@ss 7.0	27440202
eCl@ss 8.0	27440202
eCl@ss 9.0	27440202

ETIM

ETIM 2.0	EC000437
ETIM 3.0	EC000437
ETIM 4.0	EC000437
ETIM 5.0	EC000437
ETIM 6.0	EC000437
ETIM 7.0	EC000437

UNSPSC

UNSPSC 6.01	31261501
UNSPSC 7.0901	31261501
UNSPSC 11	31261501
UNSPSC 12.01	31261501
UNSPSC 13.2	31261501
UNSPSC 18.0	31261501
UNSPSC 19.0	31261501
UNSPSC 20.0	31261501
UNSPSC 21.0	31261501

Approvals

Approvals

Approvals

UL Recognized / cUL Recognized / EAC / cULus Recognized

Ex Approvals

Approval details

RJ45 coupling - VS-08-KU-IP67 - 1689268

Approvals

UL Recognized		http://database.ul.com/cgi-bin/XYV/template/LISEXT/1FRAME/index.htm	FILE E 118976
Nominal voltage UN		50 V	
Nominal current IN		1.75 A	

cUL Recognized		http://database.ul.com/cgi-bin/XYV/template/LISEXT/1FRAME/index.htm	FILE E 118976
Nominal voltage UN		50 V	
Nominal current IN		1.75 A	

EAC		B.01687
-----	--	---------

cULus Recognized	
------------------	--

Accessories

Accessories

Data plug

RJ45 connector - VS-08-RJ45-5-Q/IP67 - 1656990



RJ45 connector, degree of protection: IP67, number of positions: 8, CAT5 (IEC 11801:2002), material: PA, connection method: IDC fast connection, connection cross section: AWG 26- 23, cable outlet: straight, color: traffic grey A RAL 7042

Protective cover

RJ45 coupling - VS-08-KU-IP67 - 1689268

Accessories

Protective covers - VS-08-SD-F - 1652606

Protective cover, IP67, flat design, to cover the contact insert in the panel mounting frame, color: gray



Phoenix Contact 2020 © - all rights reserved
<http://www.phoenixcontact.com>