

## D-SUB connector set - VS-15-SET-EMV - 1689132

Please be informed that the data shown in this PDF Document is generated from our Online Catalog. Please find the complete data in the user's documentation. Our General Terms of Use for Downloads are valid (<http://phoenixcontact.com/download>)



D-SUB connector set, shell size 2, IP67 protection, with shrouds


The figure shows the version VS-09-SET-EMV

### Your advantages

- EMC protection
- IP67 protection class
- Two cable outlets ideal for hybrid applications



### Key Commercial Data

Packing unit	1 pc
GTIN	 4 017918 877996
GTIN	4017918877996
Weight per Piece (excluding packing)	83.850 g
Custom tariff number	85366990
Country of origin	Germany

### Technical data

#### Mechanical characteristics

Minimum external conductor diameter	3 mm
Maximum external conductor diameter	9 mm
Degree of pollution	2
Cable outlet	Angled
No. of cable outlets	2

## D-SUB connector set - VS-15-SET-EMV - 1689132

### Technical data

#### Mechanical characteristics

Weight	79.4 g
Flammability rating according to UL 94	V0

#### Ambient conditions

Ambient temperature (operation)	-40 °C ... 80 °C
---------------------------------	------------------

#### Material data

Housing material	PA
------------------	----

#### Electrical characteristics

Number of positions	15
Degree of pollution	2

#### Standards and Regulations

Flammability rating according to UL 94	V0
Safety note	WARNING: The connectors may not be plugged in or disconnected under load. Ignoring the warning or improper use may damage persons and/or property.
	<ul style="list-style-type: none"> <li>• WARNING: Commission properly functioning products only. The products must be regularly inspected for damage. Decommission defective products immediately. Replace damaged products. Repairs are not possible.</li> </ul>
	<ul style="list-style-type: none"> <li>• WARNING: Only electrically qualified personnel may install and operate the product. They must observe the following safety notes. The qualified personnel must be familiar with the basics of electrical engineering. They must be able to recognize and prevent danger. The relevant symbol on the packaging indicates that only personnel familiar with electrical engineering are allowed to install and operate the product.</li> </ul>
	<ul style="list-style-type: none"> <li>• The products are suitable for applications in plant, controller, and electrical device engineering.</li> </ul>
	<ul style="list-style-type: none"> <li>• When operating the connectors in outdoor applications, they must be separately protected against environmental influences.</li> </ul>
	<ul style="list-style-type: none"> <li>• Assembled products may not be manipulated or improperly opened.</li> </ul>
	<ul style="list-style-type: none"> <li>• Only use mating connectors that are specified in the technical data of the standards listed (e.g. the ones listed in the product accessories online at <a href="https://www.phoenixcontact.com/products">phoenixcontact.com/products</a>).</li> </ul>
	<ul style="list-style-type: none"> <li>• When using the product in direct connection with third-party manufacturers, the user is responsible.</li> </ul>
	<ul style="list-style-type: none"> <li>• For operating voltages &gt; 50 V AC, conductive connector housings must be grounded</li> </ul>
	<ul style="list-style-type: none"> <li>• Only use tools recommended by Phoenix Contact</li> </ul>
	<ul style="list-style-type: none"> <li>• The installation notes/Design In documents online on the download page at <a href="https://www.phoenixcontact.com/products">phoenixcontact.com/products</a> must be observed for this product.</li> </ul>
	<ul style="list-style-type: none"> <li>• Use a protective cap to protect connectors that are not in use. The suitable accessories are available online in the accessory section of the product at <a href="https://www.phoenixcontact.com/products">phoenixcontact.com/products</a></li> </ul>
	<ul style="list-style-type: none"> <li>• Operate the connector only when it is fully plugged in and interlocked.</li> </ul>

## D-SUB connector set - VS-15-SET-EMV - 1689132

### Technical data

#### Standards and Regulations

	<ul style="list-style-type: none"><li>• Operate the connector only when it is fully plugged in.</li></ul>
	<ul style="list-style-type: none"><li>• Ensure that when laying the cable, the tensile load on the connectors does not exceed the upper limit specified in the standards.</li></ul>
	<ul style="list-style-type: none"><li>• Observe the minimum bending radius of the cable. Lay the cable without twisting it.</li></ul>
	<ul style="list-style-type: none"><li>• VDE 0100/1.97 § 411.1.3.2 and DIN EN 60 204/11.98 § 14.1.3 are applicable when combining several circuits in a cable and/or connector</li></ul>

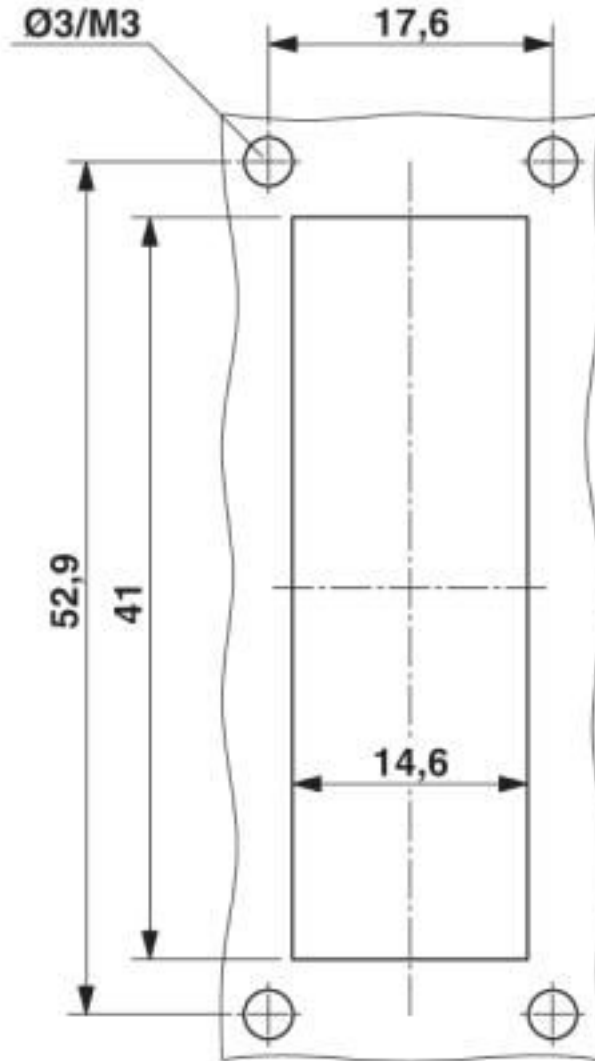
#### Environmental Product Compliance

China RoHS	Environmentally friendly use period: unlimited = EFUP-e
	No hazardous substances above threshold values

### Drawings

## D-SUB connector set - VS-15-SET-EMV - 1689132

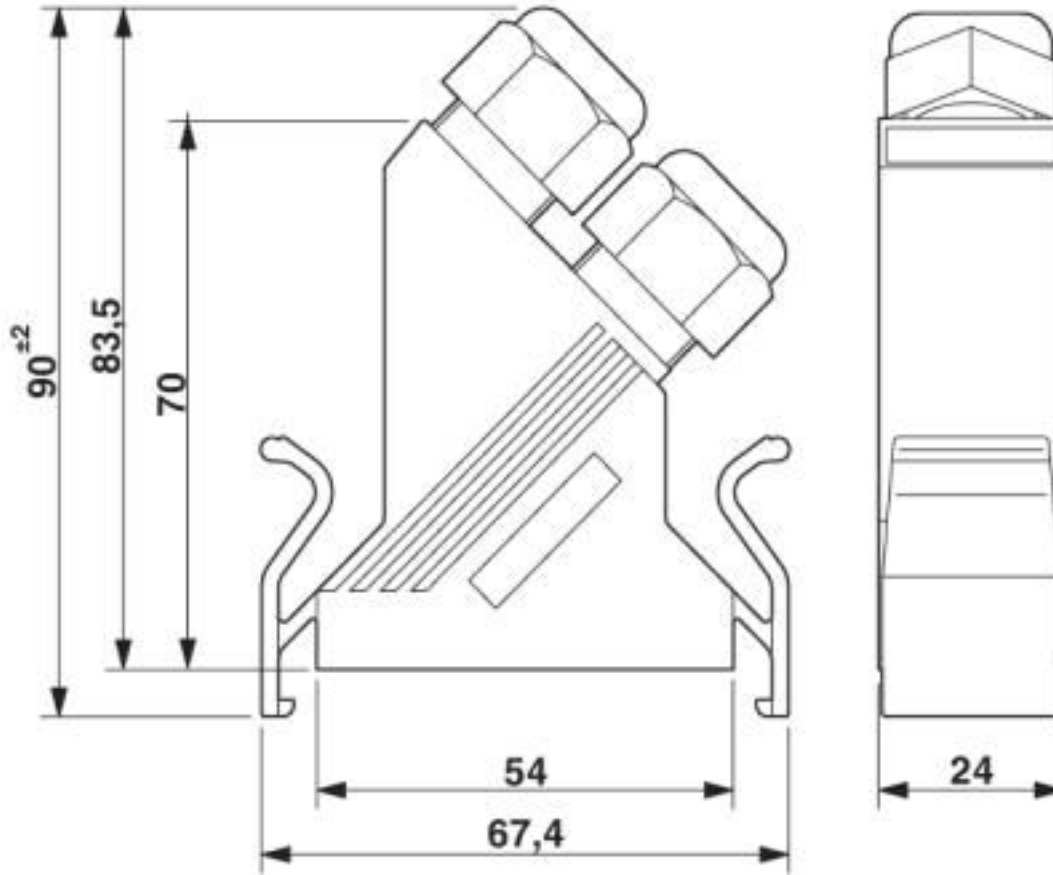
Dimensional drawing



Mounting cutout

## D-SUB connector set - VS-15-SET-EMV - 1689132

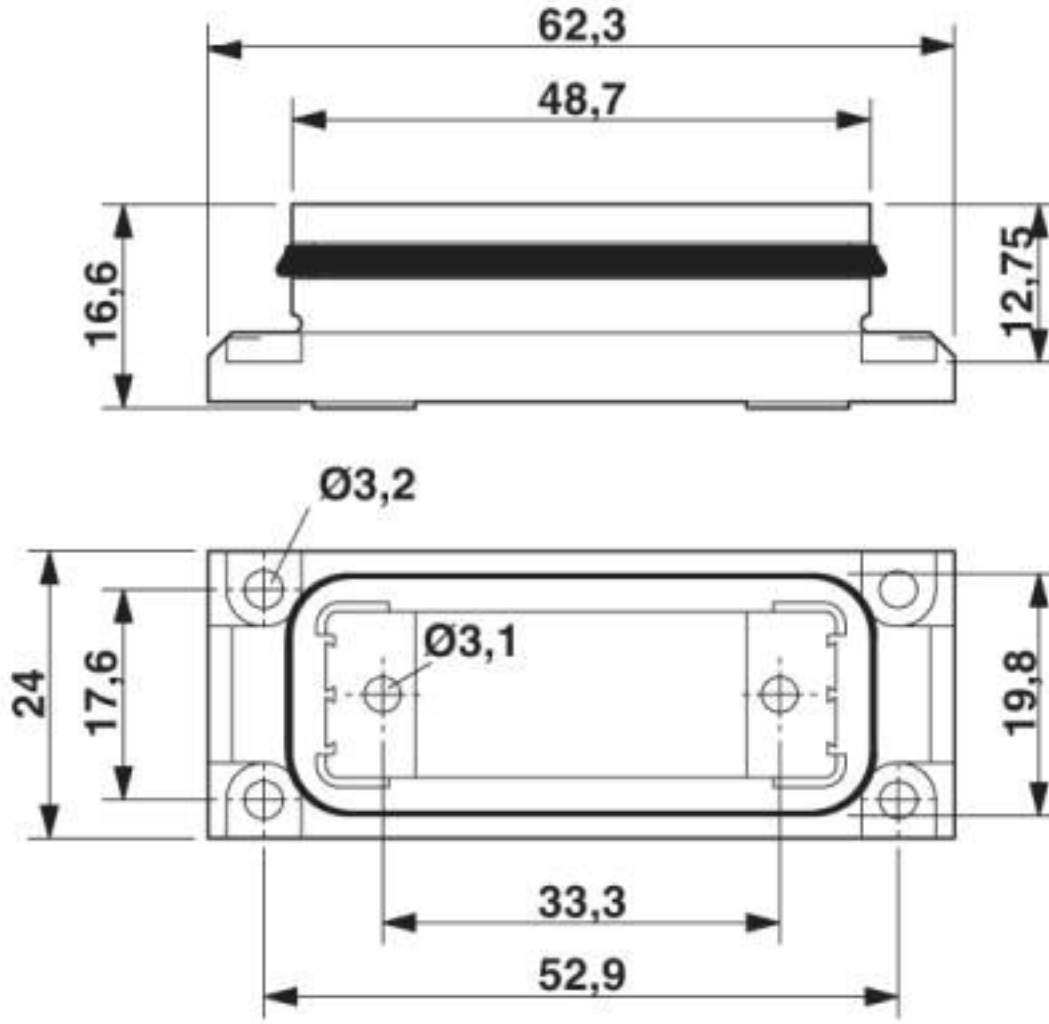
Dimensional drawing



D-SUB sleeve housings

## D-SUB connector set - VS-15-SET-EMV - 1689132

Dimensional drawing



D-SUB panel mounting frame

### Classifications

eCl@ss

eCl@ss 10.0.1	27440302
eCl@ss 4.0	27260700
eCl@ss 4.1	27260700
eCl@ss 5.0	27260700
eCl@ss 5.1	27261200
eCl@ss 6.0	27261200

# D-SUB connector set - VS-15-SET-EMV - 1689132

## Classifications

### eCl@ss

eCl@ss 7.0	27440302
eCl@ss 8.0	27440302
eCl@ss 9.0	27440302

### ETIM

ETIM 2.0	EC000437
ETIM 3.0	EC000437
ETIM 4.0	EC001132
ETIM 5.0	EC001132
ETIM 6.0	EC001132
ETIM 7.0	EC001132

### UNSPSC

UNSPSC 6.01	31261501
UNSPSC 7.0901	31261501
UNSPSC 11	31261501
UNSPSC 12.01	31261501
UNSPSC 13.2	39121522
UNSPSC 18.0	39121522
UNSPSC 19.0	39121522
UNSPSC 20.0	39121522
UNSPSC 21.0	39121522

## Approvals

### Approvals

---

Approvals


EAC

---

Ex Approvals

---

### Approval details

EAC		B.01742
-----	---	---------

## D-SUB connector set - VS-15-SET-EMV - 1689132

### Accessories

#### Accessories

#### Female insert

D-SUB contact insert - VS-15-BU-DSUB/16-MPT-0,5 - 1688094



D-SUB contact insert, shell size 2, with 15 signal contacts, female type of contact, screw connection, straight, for panel mounting frame and sleeve housing with IP67 protection

---

#### Male insert

D-SUB contact insert - VS-15-ST-DSUB/16-MPT-0,5 - 1688078



D-SUB contact insert, shell size 2, with 15 signal contacts, male type of contact, screw connection, straight, for panel mounting frame and sleeve housing with IP67 protection