

Panel mounting frames - VS-08-A-RJ45/MOD-1-IP67 - 1689080


Please be informed that the data shown in this PDF Document is generated from our Online Catalog. Please find the complete data in the user's documentation. Our General Terms of Use for Downloads are valid (<http://phoenixcontact.com/download>)



RJ45 panel mounting frame, IP67, for modular socket inserts (Keystone), for square panel cutout, with grommet, without mounting screws, color: gray



Key Commercial Data

Packing unit	1 pc
Minimum order quantity	5 pc
GTIN	 4 017918 863623
GTIN	4017918863623
Weight per Piece (excluding packing)	7.120 g
Custom tariff number	85389099
Country of origin	Germany

Technical data

Mechanical characteristics

Number of slots	1
Degree of pollution	2
Weight	6.8 g
Flammability rating according to UL 94	V0

Ambient conditions

Ambient temperature (operation)	-40 °C ... 80 °C
Ambient temperature (assembly)	-5 °C ... 55 °C
Ambient temperature (storage/transport)	-40 °C ... 70 °C

Material data

Panel mounting frames - VS-08-A-RJ45/MOD-1-IP67 - 1689080

Technical data

Material data

Housing material	PA
Width	32.5 mm
Height	32.5 mm
Depth	16 mm

Electrical characteristics

Degree of pollution	2
---------------------	---

Standards and Regulations

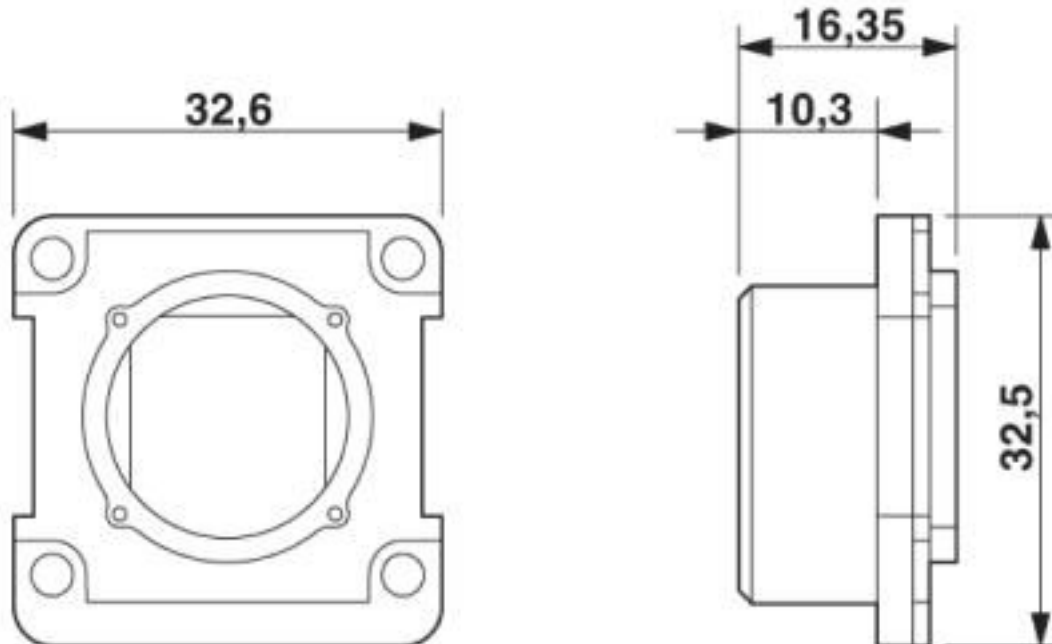
Flammability rating according to UL 94	V0
--	----

Environmental Product Compliance

China RoHS	Environmentally friendly use period: unlimited = EFUP-e
	No hazardous substances above threshold values

Drawings

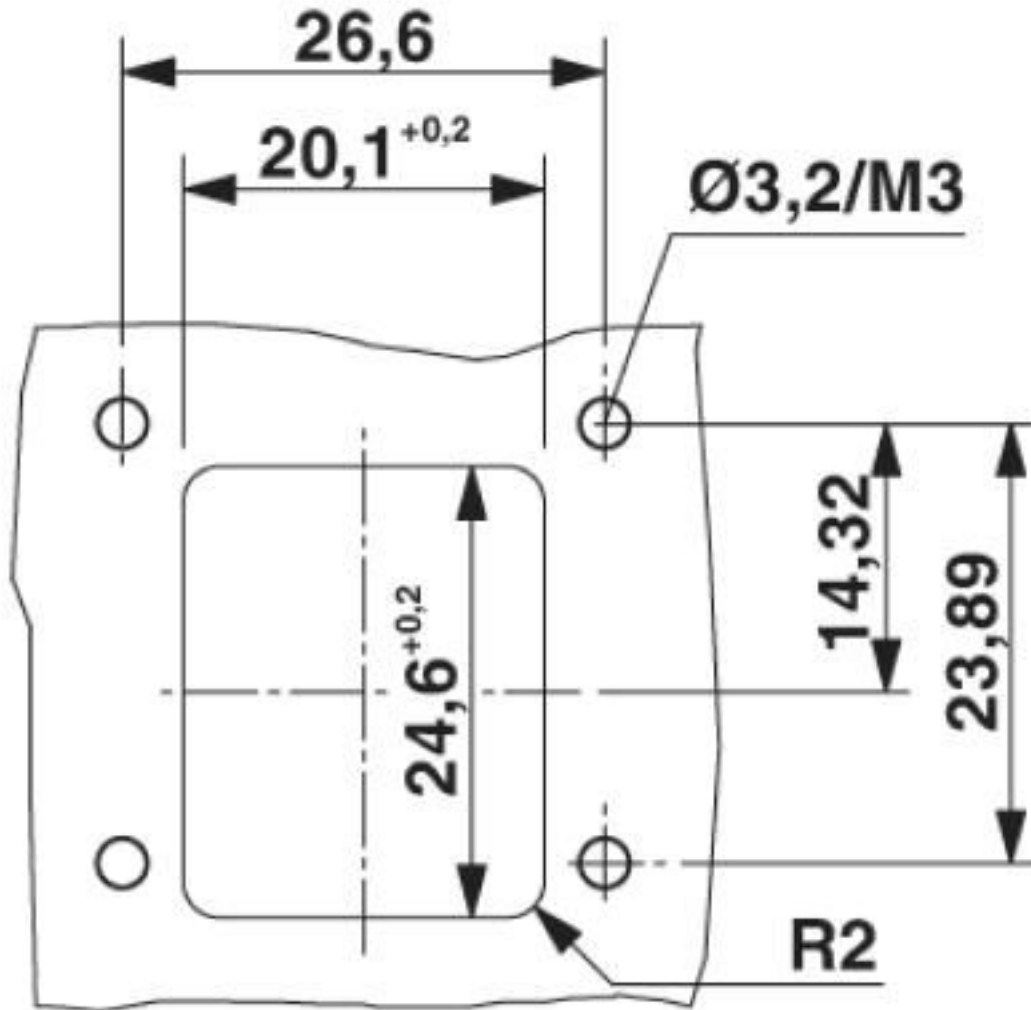
Dimensional drawing



RJ45 panel mounting frame, IP67

Panel mounting frames - VS-08-A-RJ45/MOD-1-IP67 - 1689080

Dimensional drawing



Mounting cutout

Classifications

eCl@ss

eCl@ss 10.0.1	27440210
eCl@ss 4.0	27260700
eCl@ss 4.1	27260700
eCl@ss 5.0	27260700
eCl@ss 5.1	27260700
eCl@ss 6.0	27261200

Panel mounting frames - VS-08-A-RJ45/MOD-1-IP67 - 1689080

Classifications

eCl@ss

eCl@ss 7.0	27440210
eCl@ss 8.0	27440210
eCl@ss 9.0	27440210

ETIM

ETIM 2.0	EC000764
ETIM 3.0	EC001121
ETIM 4.0	EC002310
ETIM 5.0	EC002310
ETIM 6.0	EC002310
ETIM 7.0	EC002310

UNSPSC

UNSPSC 6.01	31261501
UNSPSC 7.0901	31261501
UNSPSC 11	31261501
UNSPSC 12.01	31261501
UNSPSC 13.2	39121421
UNSPSC 18.0	39121421
UNSPSC 19.0	39121421
UNSPSC 20.0	39121421
UNSPSC 21.0	39121421

Approvals

Approvals

Approvals

EAC

Ex Approvals

Approval details

EAC		B.01687
-----	--	---------

Panel mounting frames - VS-08-A-RJ45/MOD-1-IP67 - 1689080

Accessories

Accessories

Data plug

RJ45 socket insert - VS-08-BU-RJ45/KA/LSA - 1689459



RJ45 socket insert, modular (Keystone), CAT5e, 8-pos., shielded, with cable connection (LSA), for solid wires AWG 26 ... 22

Female insert

RJ45 coupling - CUC-K-D1ZNI-S/R4GCHP8 - 1086108



RJ45 coupling, degree of protection: IP20, number of positions: 8, 10 Gbps, CAT6_A, material: Zinc die-cast, connection method: 2x RJ45, Keystone design for use with IP20 and IP67 panel mounting frame or integrated directly into the housing panel

RJ45 coupling - VS-08-BU-RJ45/BU - 1689064



RJ45 coupling, degree of protection: IP20, number of positions: 8, 1 Gbps, CAT5 (IEC 11801:2002), material: Fiberglass, PBT, connection method: Female, Keystone

RJ45 socket insert - VS-08-BU-RJ45-6/KA/LSA - 1653168



RJ45 socket insert, modular (Keystone), CAT6, 8-pos., shielded, with cable connection (LSA), for litz and solid wires AWG 26 ... 22

Panel mounting frames - VS-08-A-RJ45/MOD-1-IP67 - 1689080

Accessories

RJ45 socket insert - VS-08-BU-RJ45-6-MOD/BU - 1653155



RJ45 socket insert, degree of protection: IP20, number of positions: 8, 1 Gbps, CAT6, material: Zinc die-cast, connection method: 2x RJ45, Keystone

RJ11 socket insert - VS-RJ11-BU-MOD/BU - 1656356



Socket insert RJ11, modular system (Keystone), 6-pos., unshielded

Protective cover

Protective covers - VS-08-SD - 1689200



Protective cover, IP67, tall design

Protective covers - VS-08-SD-F - 1652606



Protective cover, IP67, flat design, to cover the contact insert in the panel mounting frame, color: gray
