

## RJ45 male insert - VS-08-ST-RJ45 - 1688573


Please be informed that the data shown in this PDF Document is generated from our Online Catalog. Please find the complete data in the user's documentation. Our General Terms of Use for Downloads are valid (<http://phoenixcontact.com/download>)



RJ45 pin insert, CAT5e, 8-pos., shielded, IDC connection method, for litz wires AWG 26 and solid wires AWG 26 ... 24



### Key Commercial Data

|                                      |   |
|--------------------------------------|---|
| Packing unit                         | 1 pc  |
| Minimum order quantity               | 5 pc  |
| GTIN                                 | <br>4 017918 622404 |
| GTIN                                 | 4017918622404   |
| Weight per Piece (excluding packing) | 2.880 g   |
| Custom tariff number                 | 85366990  |
| Country of origin                    | United States   |

### Technical data

#### Mechanical characteristics

|                         |  |
|-------------------------|--|
| Connection method       | IDC  |
| Number of slots         | 1  |
| Overvoltage category    | II   |
| AWG solid min.          | 26   |
| AWG solid max.          | 24   |
| AWG multi-stranded min. | 26   |
| Degree of pollution     | 2  |
| Cable outlet            | straight   |
| No. of cable outlets    | 1  |
| Conductor cross section | 0.13 mm <sup>2</sup> ... 0.2 mm <sup>2</sup> (solid) |

## RJ45 male insert - VS-08-ST-RJ45 - 1688573

### Technical data

#### Mechanical characteristics

|  |                                 |
|--|---------------------------------|
|  | 0.14 mm <sup>2</sup> (flexible) |
| Weight                                 | 2.84 g                          |
| Flammability rating according to UL 94 | V0                              |

#### Ambient conditions

|                                 |                  |
|---------------------------------|------------------|
| Ambient temperature (operation) | -40 °C ... 85 °C |
|---------------------------------|------------------|

#### Material data

|                          |               |
|--------------------------|---------------|
| Contact surface material | Au/Ni         |
| Contact material         | Copper alloy  |
| Contact carrier material | Thermoplastic |
| Width                    | 11.6 mm       |
| Height                   | 12.1 mm       |
| Length                   | 24.1 mm       |

#### Electrical characteristics

|   |                       |
|---|-----------------------|
| Number of positions                     | 8                     |
| Transmission characteristics (category) | CAT5 (IEC 11801:2002) |
| GRP transmission properties             | CAT5 (IEC 11801:2002) |
| Rated current                           | 1.5 A                 |
| Overvoltage category                    | II                    |
| Degree of pollution                     | 2                     |
| Rated voltage (III/3)                   | 72 V (DC)             |

#### Standards and Regulations

|  |    |
|--|----|
| Flammability rating according to UL 94 | V0 |
|--|----|

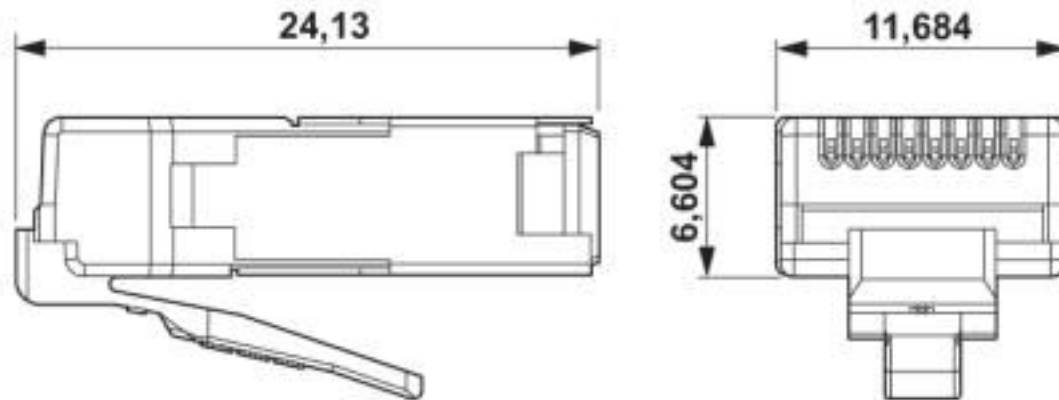
#### Environmental Product Compliance

|            |   |
|------------|---|
| China RoHS | Environmentally friendly use period: unlimited = EFUP-e |
|            | No hazardous substances above threshold values          |

### Drawings

# RJ45 male insert - VS-08-ST-RJ45 - 1688573

Dimensional drawing



RJ45 male insert

## Classifications

eCl@ss

|               |          |
|---------------|----------|
| eCl@ss 10.0.1 | 27440205 |
| eCl@ss 4.0    | 27260700 |
| eCl@ss 4.1    | 27260700 |
| eCl@ss 5.0    | 27260700 |
| eCl@ss 5.1    | 27261200 |
| eCl@ss 6.0    | 27261200 |
| eCl@ss 7.0    | 27440205 |
| eCl@ss 8.0    | 27440205 |
| eCl@ss 9.0    | 27440205 |

ETIM

|          |          |
|----------|----------|
| ETIM 2.0 | EC000438 |
| ETIM 3.0 | EC000438 |
| ETIM 4.0 | EC000438 |
| ETIM 5.0 | EC000438 |
| ETIM 6.0 | EC000438 |
| ETIM 7.0 | EC000438 |

UNSPSC

|               |          |
|---------------|----------|
| UNSPSC 6.01   | 30211923 |
| UNSPSC 7.0901 | 39121522 |
| UNSPSC 11     | 39121522 |
| UNSPSC 12.01  | 39121522 |

# RJ45 male insert - VS-08-ST-RJ45 - 1688573

## Classifications

### UNSPSC

|             |          |
|-------------|----------|
| UNSPSC 13.2 | 39121522 |
| UNSPSC 18.0 | 39121522 |
| UNSPSC 19.0 | 39121522 |
| UNSPSC 20.0 | 39121522 |
| UNSPSC 21.0 | 39121522 |

## Approvals

### Approvals

---

Approvals

EAC

---

Ex Approvals

---

### Approval details

|     |  |         |
|-----|--|---------|
| EAC |  | B.01687 |
|-----|--|---------|

## Accessories

### Accessories

Bend protection sleeve

RJ45 bending protection sleeve - VS-08-KS/GR - 1689213



RJ45 bend protection sleeve, for pin insert VS-08-ST-RJ45, cable cross section up to 6 mm, color: gray

## RJ45 male insert - VS-08-ST-RJ45 - 1688573

### Accessories

RJ45 bending protection sleeve - VS-08-KS/GN - 1689226



RJ45 bend protection sleeve, for pin insert VS-08-ST-RJ45, cable cross section up to 6 mm, color: green

---

### Crimping tool

Crimping pliers - CRIMPFOX LC - 1206696



Basic crimping pliers, with short handles, without crimp inserts, with locator takeover

---

### Die

Replacement die - CRIMPFOX LC-RJ 45S - 1207420



Die for the CRIMPFOX LC basic crimping pliers to crimp the VARIOSUB RJ45 male insert VS-08-ST-RJ45

---

### Sleeve housings

RJ45 sleeve housings - VS-08-T-RJ45/IP 20 - 1688638



RJ45 sleeve housing IP20, for pin insert VS-08-ST-RJ45, with push-pull interlocking for panel mounting frames, for cable cross section 5.0 mm ... 6.5 mm

## RJ45 male insert - VS-08-ST-RJ45 - 1688573

### Accessories

RJ45 sleeve housings - VS-08-T-G-RJ45/IP20 - 1652295



RJ45 sleeve housing, IP20, for pin insert VS-08-ST-RJ45, with push-pull interlocking for panel mounting frames, inverted design, for Factoryline modular managed switches, for cable cross section 5.0 mm ... 6.5 mm

---

RJ45 sleeve housings - VS-08-T-RJ45/IP67 - 1688696



RJ45 sleeve housing, IP67, for pin insert VS-08-ST-RJ45, with push-pull interlocking for panel mounting frames, for cable cross section 5.0 mm ... 6.5 mm