

## D-SUB pressure nut - VS-M16 (5-9) - 1688447

Please be informed that the data shown in this PDF Document is generated from our Online Catalog. Please find the complete data in the user's documentation. Our General Terms of Use for Downloads are valid (<http://phoenixcontact.com/download>)




D-SUB cap nut with line seal, for sleeve housing VS-09-..., conductor diameter of 5 mm ... 9 mm

### Your advantages

- Including seal
- Easy mounting



### Key Commercial Data

Packing unit	1 pc
Minimum order quantity	5 pc
GTIN	 4 017918 818364
GTIN	4017918818364
Weight per Piece (excluding packing)	2.560 g
Custom tariff number	39269097
Country of origin	Germany

### Technical data

#### Mechanical characteristics

Minimum external conductor diameter	5 mm
Maximum external conductor diameter	9 mm
Weight	2.69 g
Flammability rating according to UL 94	V0

#### Ambient conditions

Ambient temperature (operation)	-40 °C ... 80 °C
---------------------------------	------------------

## D-SUB pressure nut - VS-M16 (5-9) - 1688447

### Technical data

#### Ambient conditions

Ambient temperature (assembly)	-20 °C ... 80 °C
--------------------------------	------------------

#### Material data

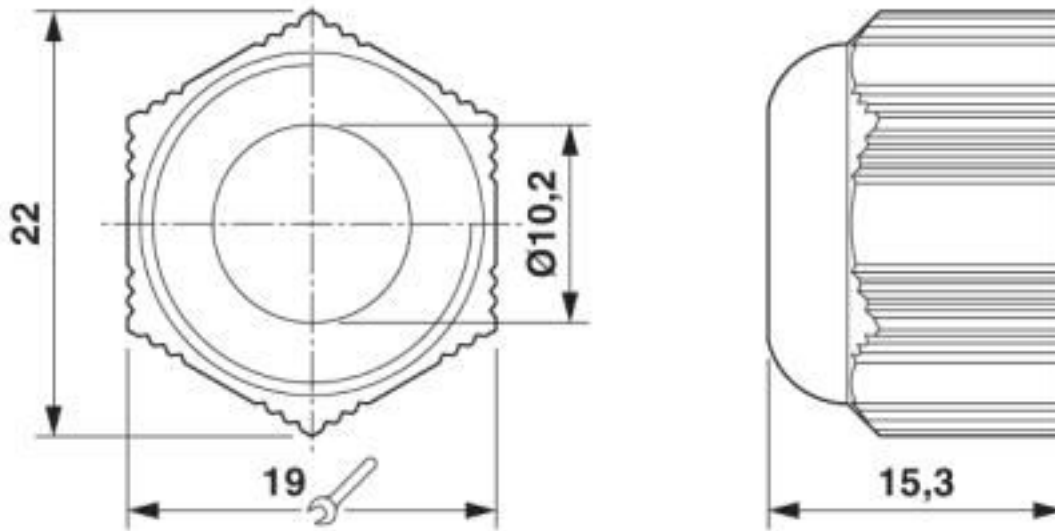
Housing material	PA
------------------	----

#### Standards and Regulations

Flammability rating according to UL 94	V0
--	----

### Drawings

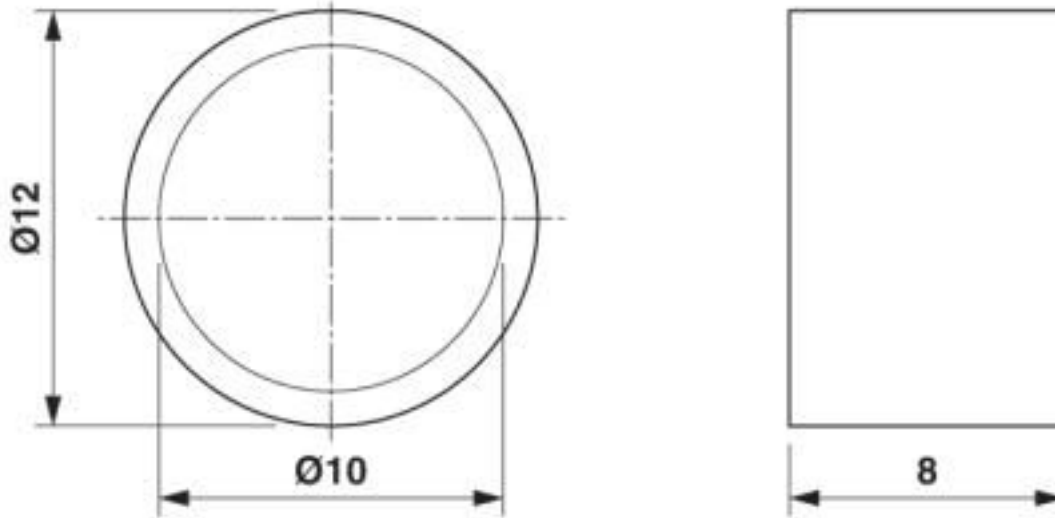
Dimensional drawing



Seal

# D-SUB pressure nut - VS-M16 (5-9) - 1688447

Dimensional drawing



Screw pressure nut

## Classifications

eCl@ss

eCl@ss 10.0.1	27144420
eCl@ss 4.0	27141200
eCl@ss 4.1	27141200
eCl@ss 5.0	27149100
eCl@ss 5.1	27149100
eCl@ss 6.0	27149100
eCl@ss 7.0	27069215
eCl@ss 8.0	27069215
eCl@ss 9.0	27144420

ETIM

ETIM 2.0	EC000441
ETIM 3.0	EC000441
ETIM 4.0	EC000441
ETIM 5.0	EC000814
ETIM 6.0	EC000814
ETIM 7.0	EC000814

UNSPSC

UNSPSC 6.01	30211923
-------------	----------

# D-SUB pressure nut - VS-M16 (5-9) - 1688447

## Classifications

### UNSPSC

UNSPSC 7.0901	39121522
UNSPSC 11	39121522
UNSPSC 12.01	39121522
UNSPSC 13.2	31161514
UNSPSC 18.0	31161514
UNSPSC 19.0	31161514
UNSPSC 20.0	31161514
UNSPSC 21.0	31161514

## Approvals

### Approvals

---

Approvals

EAC

---

Ex Approvals

---

### Approval details

EAC		B.01742
-----	--	---------

## Accessories

### Accessories

#### Sleeve housings

D-SUB sleeve housings - VS-09-T-2M16 - 1688353



D-SUB sleeve housings, degree of protection: IP67, material: PA, cable outlet: Angled, size of housing: 1, color: gray

---

---

