

## Contact insert - HC-K 4/2-ESTS - 1686889

Please be informed that the data shown in this PDF Document is generated from our Online Catalog. Please find the complete data in the user's documentation. Our General Terms of Use for Downloads are valid (<http://phoenixcontact.com/download>)



HEAVYCON plug insert, K4/0 series, 4-pos., screw connection without wire protection



COMPLETE™

### Key Commercial Data

Packing unit	1 pc
GTIN	 4 017918 924119
GTIN	4017918924119
Weight per Piece (excluding packing)	122.200 g
Custom tariff number	85366990
Country of origin	China

### Technical data

#### General

Note	For housing HC-B16
	Connectors may be operated only when there is no load/voltage.
Connection method	Screw connection (power contacts)
	Screw connection (control contacts)
Tightening torque	3 Nm (Power contacts for cross sections of 2.5 mm <sup>2</sup> ... 16 mm <sup>2</sup> ; (2 Nm for cross section 2.5 mm <sup>2</sup> ))
	0.5 Nm (control contacts)
	1.2 Nm (Power contacts for cross section 1.5 mm <sup>2</sup> )
Torque	0.8 Nm ... 1.2 Nm (PE connection)
	0.5 Nm ... 0.8 Nm (Mounting screws for mounting in the HEAVYCON housing)
Screwdriver blade	0.8 x 4.5 mm (power contacts)

# Contact insert - HC-K 4/2-ESTS - 1686889

## Technical data

### General

	0.5 x 3.5 mm (control contacts)
Degree of pollution	3
Overvoltage category	III
Number of positions	4+2+PE
No. of power contacts	4
No. of control contacts	2
Insertion/withdrawal cycles	≥ 500
Size	B16
	B32
Contact numbering	1 - 4
Conductor cross section	1.5 mm <sup>2</sup> ... 16 mm <sup>2</sup> (power contacts)
	0.5 mm <sup>2</sup> ... 2.5 mm <sup>2</sup> (control contacts)
Connection cross section AWG	16 ... 6 (power contacts)
	20 ... 14 (control contacts)
Stripping length of the individual wire	14 mm (Power circuit)
	7.5 mm (Control circuit)
Assembly instructions	To ensure correct use, installation in housing with IP54 protection or better is required
Connection	Use wire end protection (screw connections do not have wire protection)

### Ambient conditions

Ambient temperature (operation)	-40 °C ... 125 °C
---------------------------------	-------------------

### Material data

Contact material	Cu alloy
Material of contact surface, power contact	Ag
Material of contact surface, control contact	Ag
Contact carrier material	PC

### Electrical characteristics

Rated voltage (III/3)	830 V (power contacts)
	400 V (control contacts)
Rated surge voltage	8 kV (power contacts)
	6 kV (control contacts)
Rated current	80 A (power contacts)
	16 A (control contacts)

### Standards and Regulations

Connection in acc. with standard	UL
Flammability rating according to UL 94	V0

# Contact insert - HC-K 4/2-ESTS - 1686889

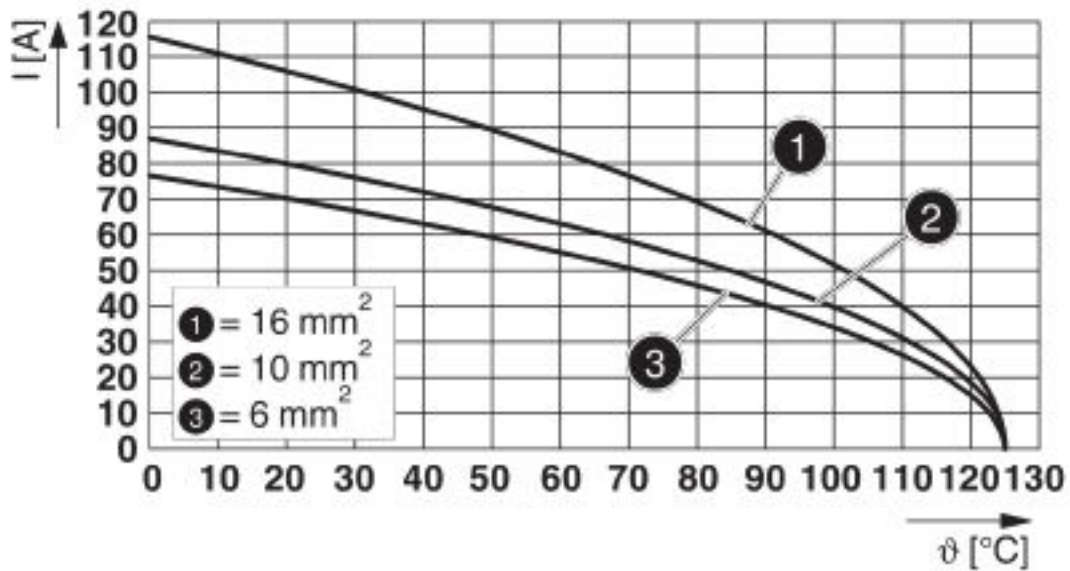
## Technical data

### Environmental Product Compliance

China RoHS	Environmentally friendly use period: unlimited = EFUP-e
	No hazardous substances above threshold values

## Drawings

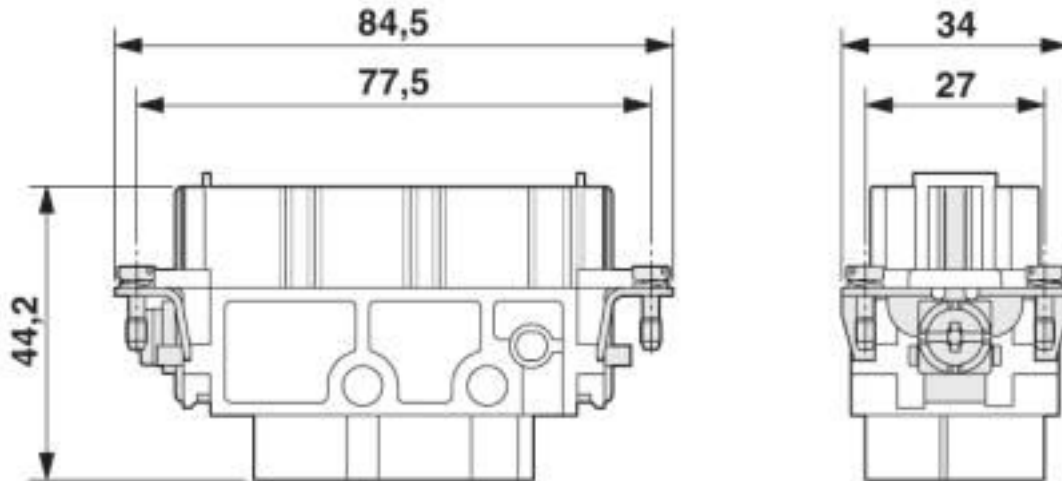
Diagram



Derating diagram

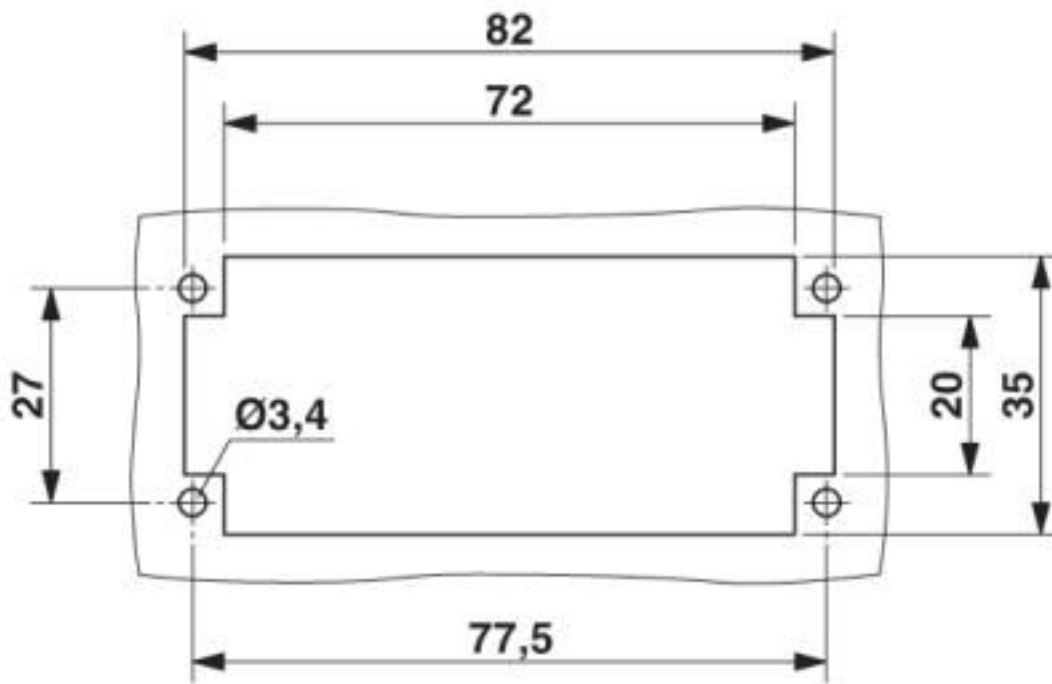
# Contact insert - HC-K 4/2-ESTS - 1686889

Dimensional drawing



Male insert

Dimensional drawing



Mounting cutout when used without housing

# Contact insert - HC-K 4/2-ESTS - 1686889

## Classifications

### eCl@ss

eCl@ss 10.0.1	27440205
eCl@ss 4.0	27140800
eCl@ss 4.1	27140800
eCl@ss 5.0	27143400
eCl@ss 5.1	27261200
eCl@ss 6.0	27261200
eCl@ss 7.0	27440205
eCl@ss 8.0	27440205
eCl@ss 9.0	27440205

### ETIM

ETIM 2.0	EC000438
ETIM 3.0	EC000438
ETIM 4.0	EC000438
ETIM 5.0	EC000438
ETIM 6.0	EC000438
ETIM 7.0	EC000438

### UNSPSC

UNSPSC 6.01	30211923
UNSPSC 7.0901	39121522
UNSPSC 11	39121522
UNSPSC 12.01	39121522
UNSPSC 13.2	39121522
UNSPSC 18.0	39121522
UNSPSC 19.0	39121522
UNSPSC 20.0	39121522
UNSPSC 21.0	39121522

## Approvals

### Approvals

---

Approvals

UL Recognized / EAC / EAC

---

Ex Approvals

# Contact insert - HC-K 4/2-ESTS - 1686889

## Approvals

### Approval details

UL Recognized		<a href="http://database.ul.com/cgi-bin/XYV/template/LISEXT/1FRAME/index.htm">http://database.ul.com/cgi-bin/XYV/template/LISEXT/1FRAME/index.htm</a>	E118976
Nominal voltage UN	600 V		
Nominal current IN	16 A		
mm <sup>2</sup> /AWG/kcmil	14		

EAC		RU C- DE.AI30.B.01102
-----	--	--------------------------

EAC		RU C- DE.BL08.B.00511
-----	--	--------------------------

## Accessories

### Accessories

#### Screwdriver tools

Screwdriver - SZF 2-0,8X4,0 - 1204520



Actuation tool, for ST terminal blocks, also suitable for use as a bladed screwdriver, size: 0.8 x 4.0 x 100 mm, 2-component grip, with non-slip grip

Screwdriver - SF-SL 0,6X3,5-100 S-VDE - 1212587



Actuation tool, for ST terminal blocks, VDE insulated, with slimmer insulation integrated in the blade, also suitable for use as a bladed screwdriver, size: 0.6 x 3.5 x 100 mm, 2-component grip, with non-slip grip

## Additional products

## Contact insert - HC-K 4/2-ESTS - 1686889

### Accessories

Contact insert - HC-K 4/2-EBUS - 1686876



HEAVYCON socket insert, K4/0 series, 4-pos., screw connection without wire protection