

## Screw plug - PROT-M8 - 1682540

Please be informed that the data shown in this PDF Document is generated from our Online Catalog. Please find the complete data in the user's documentation. Our General Terms of Use for Downloads are valid (<http://phoenixcontact.com/download>)




An M8 screw plug for the unoccupied M8 sockets of the sensor/actuator cable, boxes and flush-type connectors

### Your advantages

- Sealing caps with external or inner thread

### Key Commercial Data

Packing unit	1 pc
Minimum order quantity	5 pc
GTIN	 4 017918 158316
GTIN	4017918158316
Weight per Piece (excluding packing)	0.800 g
Custom tariff number	39269097
Country of origin	Germany

### Technical data

#### Ambient conditions

Degree of protection	IP67
----------------------	------

#### General

Torque	0.2 Nm
--------	--------

#### Material

Flammability rating according to UL 94	V0
Material	PBT

# Screw plug - PROT-M8 - 1682540

## Technical data

### Standards and Regulations

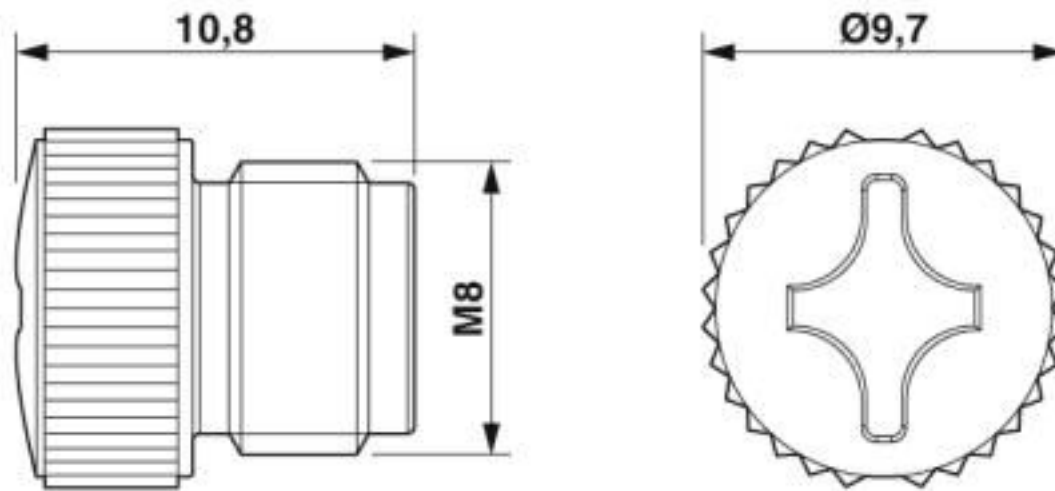
Flammability rating according to UL 94	V0
--	----

### Environmental Product Compliance

China RoHS	Environmentally friendly use period: unlimited = EFUP-e
	No hazardous substances above threshold values

## Drawings

Dimensional drawing



## Classifications

eCl@ss

eCl@ss 10.0.1	23111190
eCl@ss 4.0	23111100
eCl@ss 4.1	23111100
eCl@ss 5.0	23111100
eCl@ss 5.1	23111100
eCl@ss 6.0	23111100
eCl@ss 7.0	23111190
eCl@ss 8.0	23111190
eCl@ss 9.0	23111190

ETIM

ETIM 2.0	EC000723
----------	----------

# Screw plug - PROT-M8 - 1682540

## Classifications

### ETIM

ETIM 3.0	EC002040
ETIM 4.0	EC002040
ETIM 5.0	EC000032
ETIM 6.0	EC000032
ETIM 7.0	EC000032

### UNSPSC

UNSPSC 6.01	31261501
UNSPSC 7.0901	31261501
UNSPSC 11	31261501
UNSPSC 12.01	31261501
UNSPSC 13.2	31161501
UNSPSC 18.0	31261502
UNSPSC 19.0	31261502
UNSPSC 20.0	31261502
UNSPSC 21.0	31261502

## Accessories

### Accessories

#### Screwdriver tools

Screwdriver - SZK PH2 VDE - 1205163



Screwdriver, PH crosshead, VDE insulated, size: PH 2 x 100 mm, 2-component grip, with non-slip grip