

Cable connector - TWGM/CDIO/17-ST - 1667950

Please be informed that the data shown in this PDF Document is generated from our Online Catalog. Please find the complete data in the user's documentation. Our General Terms of Use for Downloads are valid (<http://phoenixcontact.com/download>)

INTERBUS remote bus connector, angled, with contacts, male contact insert



The figure shows the 17-pos. product version with socket contacts



Key Commercial Data

Packing unit	1 pc
GTIN	
GTIN	4017918163594
Weight per Piece (excluding packing)	216.800 g
Custom tariff number	85366990
Country of origin	Germany

Technical data

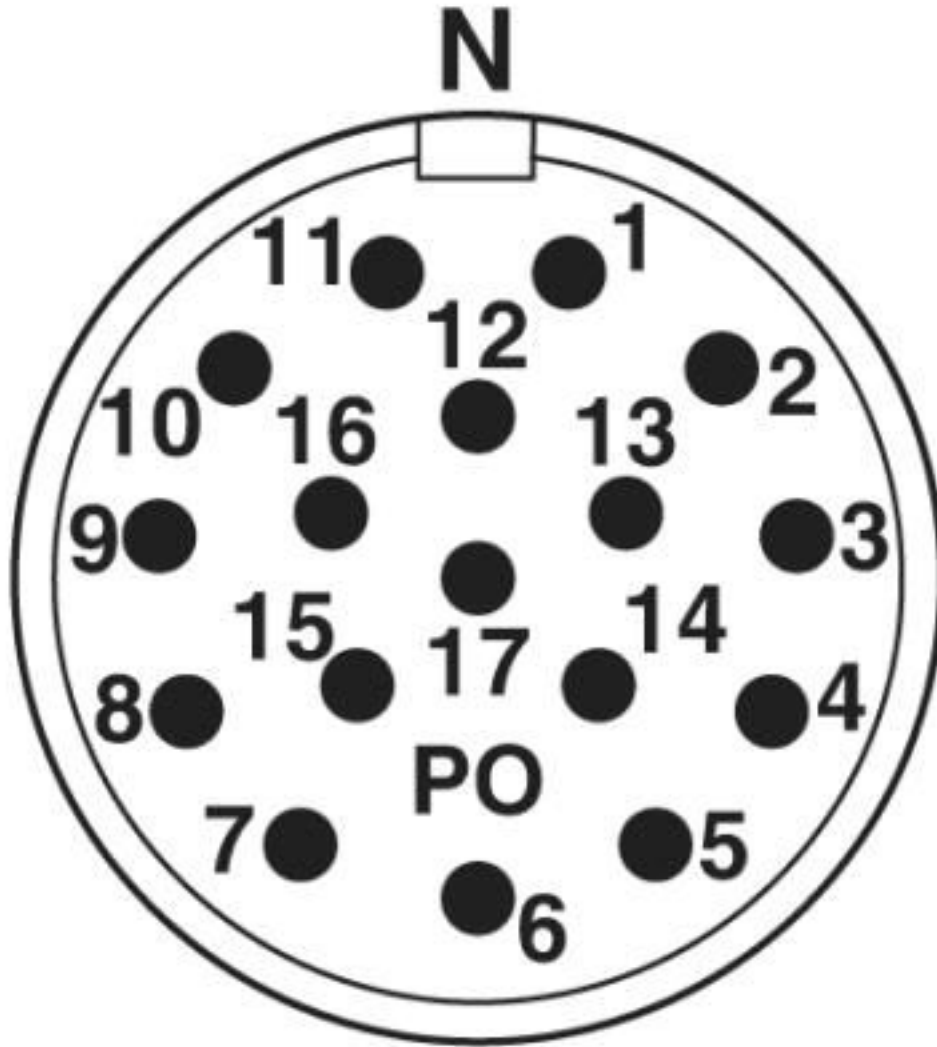
Environmental Product Compliance

REACH SVHC	Lead 7439-92-1
China RoHS	Environmentally Friendly Use Period = 50 years
	For details about hazardous substances go to tab "Downloads", Category "Manufacturer's declaration"

Drawings

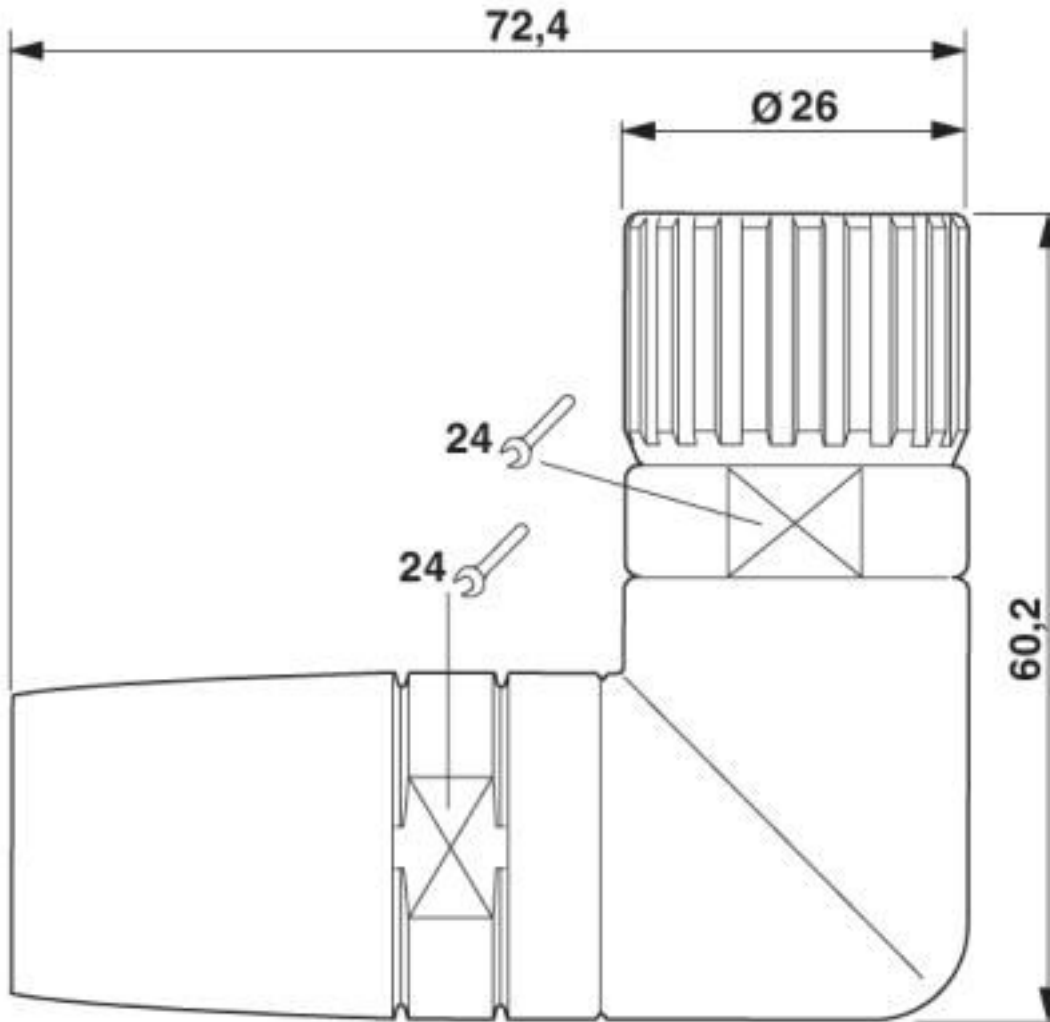
Cable connector - TWGM/CDIO/17-ST - 1667950

Schematic diagram



Cable connector - TWGM/CDIO/17-ST - 1667950

Dimensional drawing



Classifications

eCl@ss

eCl@ss 10.0.1	27440102
eCl@ss 4.0	27260700
eCl@ss 4.1	27260700
eCl@ss 5.0	27260700
eCl@ss 5.1	27260700
eCl@ss 6.0	27260700
eCl@ss 7.0	27440102
eCl@ss 8.0	27440102

Cable connector - TWGM/CDIO/17-ST - 1667950

Classifications

eCl@ss

eCl@ss 9.0	27440102
------------	----------

ETIM

ETIM 2.0	EC000437
ETIM 3.0	EC000437
ETIM 4.0	EC000437
ETIM 5.0	EC000437
ETIM 6.0	EC002061

UNSPSC

UNSPSC 6.01	31261502
UNSPSC 7.0901	31261502
UNSPSC 11	31261502
UNSPSC 12.01	31261502
UNSPSC 13.2	39121413
UNSPSC 18.0	39121413
UNSPSC 19.0	39121413
UNSPSC 20.0	39121413
UNSPSC 21.0	39121413

Approvals

Approvals

Approvals

EAC

Ex Approvals

Approval details

EAC		B.01742
-----	--	---------

Accessories

Accessories

Cable connector - TWGM/CDIO/17-ST - 1667950

Accessories

Crimping tool

Crimping pliers - CRIMPFOX RC 2,5 - 1205448



Crimping pliers. with positioner, for turned connector contacts 0.08 mm² to 2.5 mm²