

## Panel mounting frames - VS-08-SET-MOD-1-R/5-BU-BU/SD-F - 1658833


Please be informed that the data shown in this PDF Document is generated from our Online Catalog. Please find the complete data in the user's documentation. Our General Terms of Use for Downloads are valid (<http://phoenixcontact.com/download>)



RJ45 panel mounting frame, IP67, for round panel cutout, with grommet, with thread and union nut, with RJ45 socket insert, CAT5e, socket on socket, with protective cover, flat design



### Key Commercial Data

Packing unit	1 pc
GTIN	 4 046356 164436
GTIN	4046356164436
Weight per Piece (excluding packing)	28.600 g
Custom tariff number	85369010
Country of origin	Germany

### Technical data

#### General data

Alternative short product description	RJ45 panel mounting frame
---------------------------------------	---------------------------

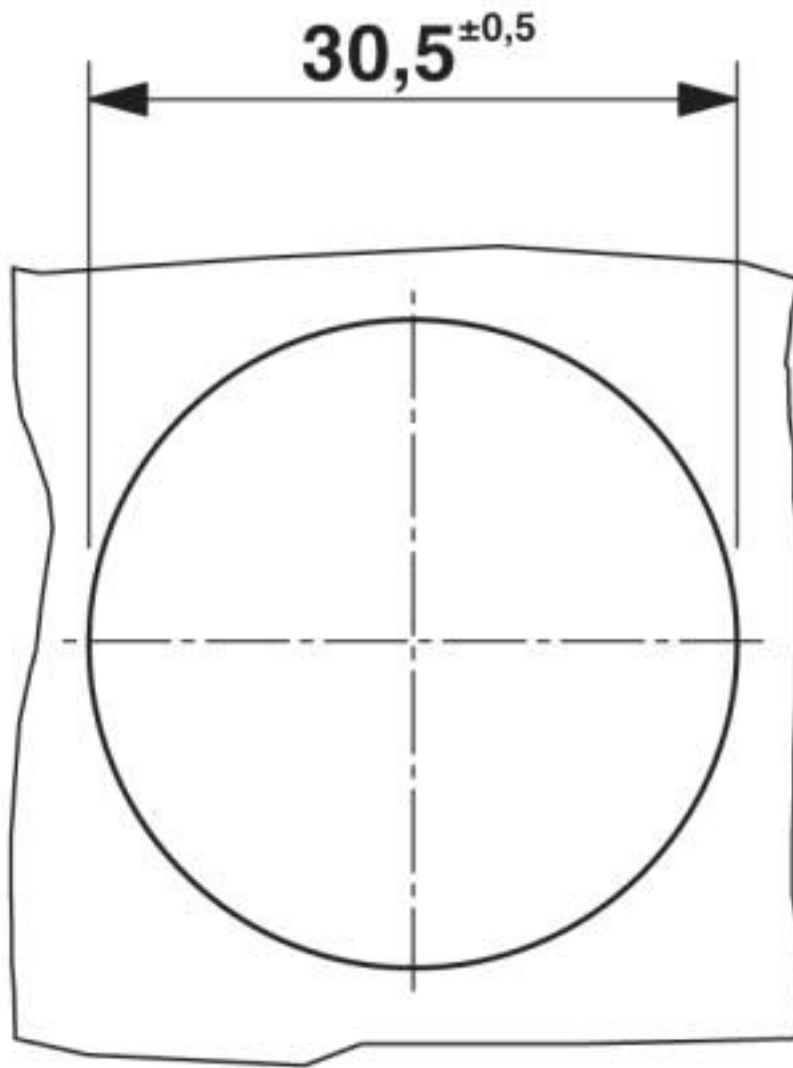
#### Environmental Product Compliance

China RoHS	Environmentally Friendly Use Period = 50 years
	For details about hazardous substances go to tab "Downloads", Category "Manufacturer's declaration"

### Drawings

# Panel mounting frames - VS-08-SET-MOD-1-R/5-BU-BU/SD-F - 1658833

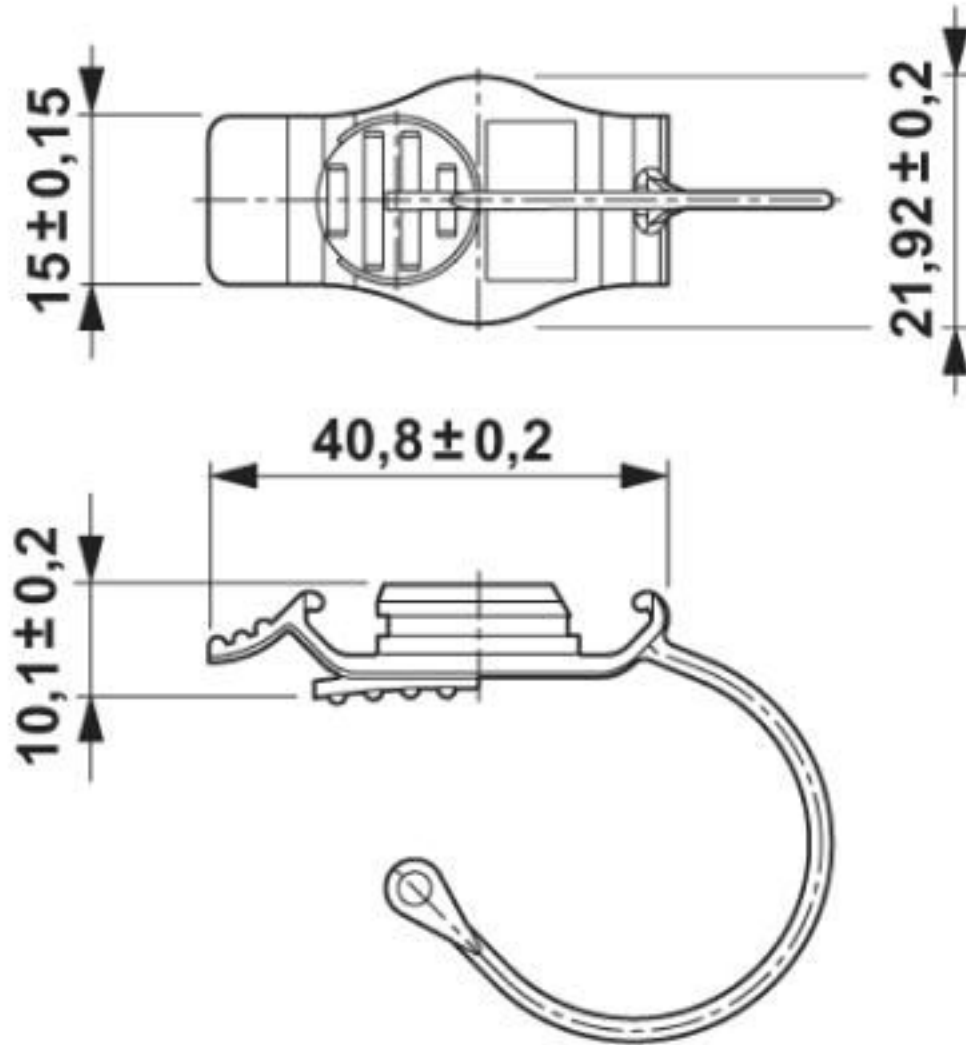
Dimensional drawing



Mounting cutout

# Panel mounting frames - VS-08-SET-MOD-1-R/5-BU-BU/SD-F - 1658833

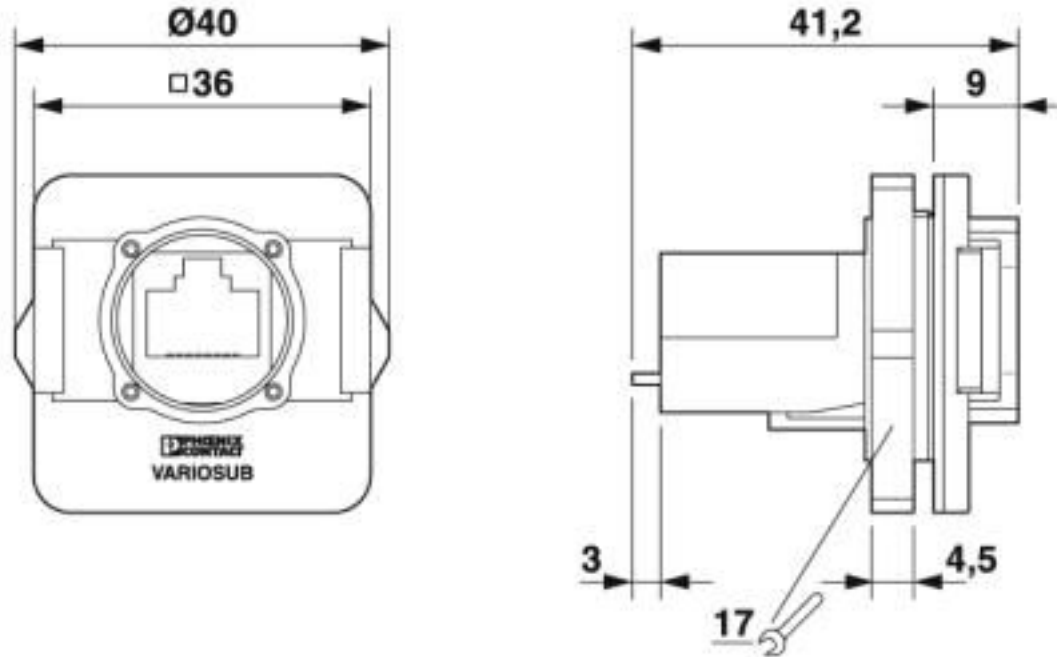
Dimensional drawing



Protective cover, IP67

# Panel mounting frames - VS-08-SET-MOD-1-R/5-BU-BU/SD-F - 1658833

Dimensional drawing



RJ45 panel mounting frame, IP67

## Classifications

eCl@ss

eCl@ss 10.0.1	27440210
eCl@ss 4.0	27260700
eCl@ss 4.1	27260700
eCl@ss 5.0	27260700
eCl@ss 5.1	27260700
eCl@ss 6.0	27261200
eCl@ss 7.0	27440210
eCl@ss 8.0	27440210
eCl@ss 9.0	27440210

ETIM

ETIM 3.0	EC001121
ETIM 4.0	EC001121
ETIM 5.0	EC002310
ETIM 6.0	EC002310
ETIM 7.0	EC002310

# Panel mounting frames - VS-08-SET-MOD-1-R/5-BU-BU/SD-F - 1658833

## Classifications

### UNSPSC

UNSPSC 6.01	31261501
UNSPSC 7.0901	31261501
UNSPSC 11	31261501
UNSPSC 12.01	31261501
UNSPSC 13.2	39121421
UNSPSC 18.0	39121421
UNSPSC 19.0	39121421
UNSPSC 20.0	39121421
UNSPSC 21.0	39121421

## Approvals

### Approvals

---

Approvals


EAC

---

Ex Approvals

---

### Approval details

EAC		B.01687
-----	---	---------

---