

## Panel mounting frames - VS-08-A-RJ45/MOD-1-IP67-BK - 1658642


Please be informed that the data shown in this PDF Document is generated from our Online Catalog. Please find the complete data in the user's documentation. Our General Terms of Use for Downloads are valid (<http://phoenixcontact.com/download>)



RJ45 panel mounting frame, IP67, for modular socket inserts (Keystone), for square panel cutout, with grommet, without mounting screws, color: black



### Key Commercial Data

Packing unit	1 pc
Minimum order quantity	5 pc
GTIN	 4 046356 163187
GTIN	4046356163187
Weight per Piece (excluding packing)	6.960 g
Custom tariff number	85366990
Country of origin	Germany

### Technical data

#### Mechanical characteristics

Number of slots	1
Degree of pollution	2
Weight	6.39 g
Flammability rating according to UL 94	V0

#### Ambient conditions

Ambient temperature (operation)	-40 °C ... 80 °C
---------------------------------	------------------

#### Material data

Housing material	PA
Width	32.5 mm

## Panel mounting frames - VS-08-A-RJ45/MOD-1-IP67-BK - 1658642

### Technical data

#### Material data

Height	32.5 mm
Depth	16 mm

#### Electrical characteristics

Degree of pollution	2
---------------------	---

#### Standards and Regulations

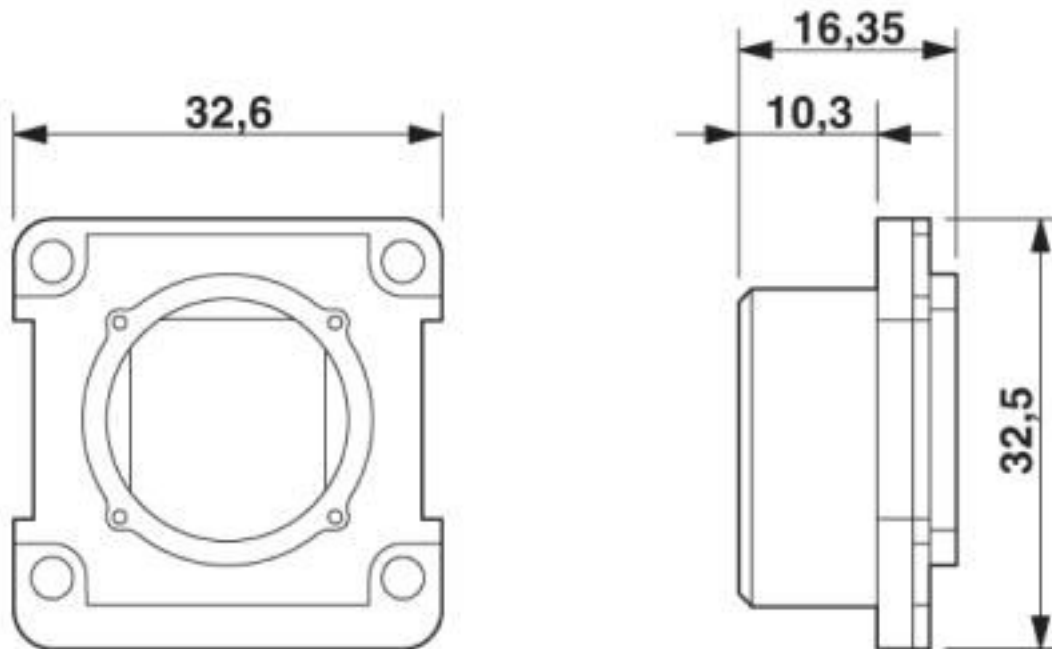
Flammability rating according to UL 94	V0
--	----

#### Environmental Product Compliance

China RoHS	Environmentally friendly use period: unlimited = EFUP-e
	No hazardous substances above threshold values

### Drawings

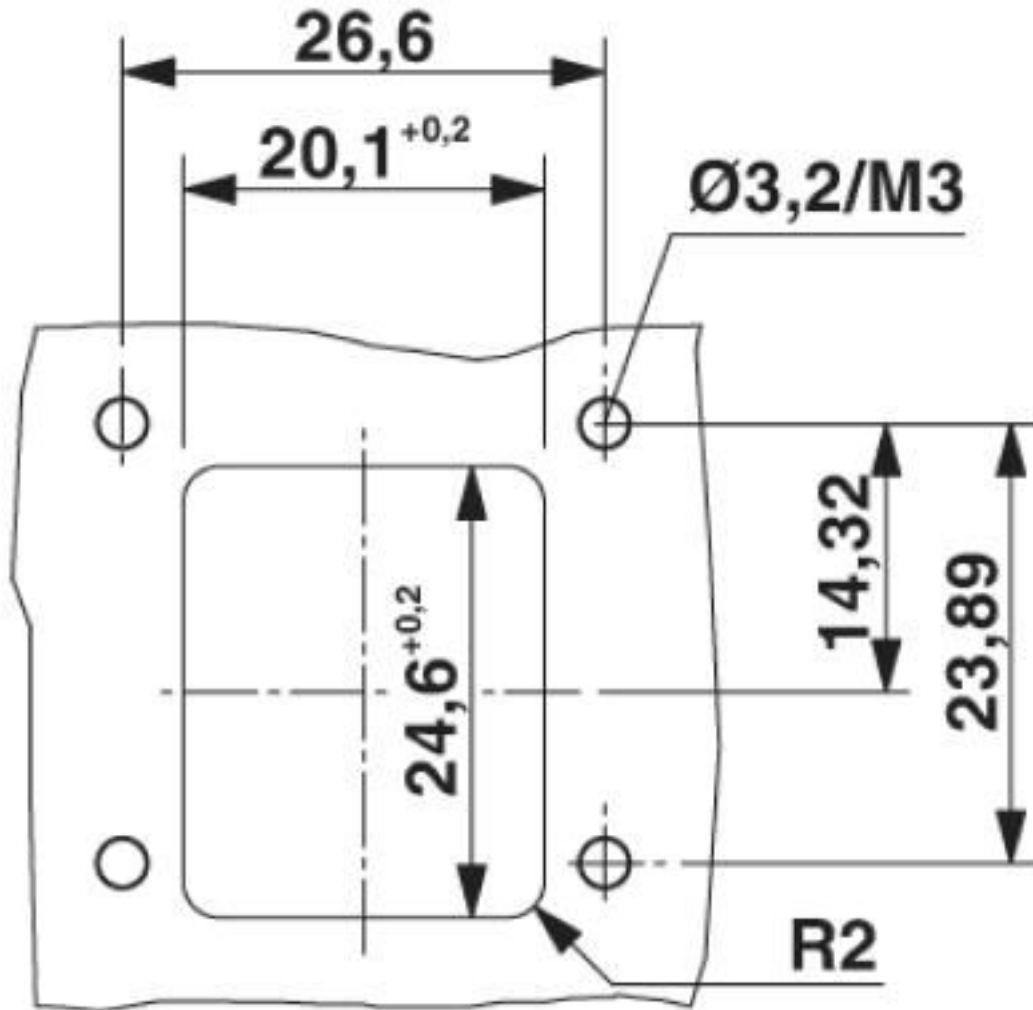
Dimensional drawing



RJ45 panel mounting frame, IP67

# Panel mounting frames - VS-08-A-RJ45/MOD-1-IP67-BK - 1658642

Dimensional drawing



Mounting cutout

## Classifications

eCl@ss

eCl@ss 10.0.1	27440210
eCl@ss 4.0	27260700
eCl@ss 4.1	27260700
eCl@ss 5.0	27260700
eCl@ss 5.1	27260700
eCl@ss 6.0	27261200

# Panel mounting frames - VS-08-A-RJ45/MOD-1-IP67-BK - 1658642

## Classifications

### eCl@ss

eCl@ss 7.0	27440210
eCl@ss 8.0	27440210
eCl@ss 9.0	27440210

### ETIM

ETIM 2.0	EC000764
ETIM 3.0	EC001121
ETIM 4.0	EC002310
ETIM 5.0	EC002310
ETIM 6.0	EC002310
ETIM 7.0	EC002310

### UNSPSC

UNSPSC 6.01	31261501
UNSPSC 7.0901	31261501
UNSPSC 11	31261501
UNSPSC 12.01	31261501
UNSPSC 13.2	39121421
UNSPSC 18.0	39121421
UNSPSC 19.0	39121421
UNSPSC 20.0	39121421
UNSPSC 21.0	39121421

## Approvals

### Approvals

---

Approvals


EAC

---

Ex Approvals

---

### Approval details

EAC		B.01687
-----	---	---------

## Panel mounting frames - VS-08-A-RJ45/MOD-1-IP67-BK - 1658642

### Accessories

#### Accessories

#### Data plug

RJ45 socket insert - VS-08-BU-RJ45/KA/LSA - 1689459



RJ45 socket insert, modular (Keystone), CAT5e, 8-pos., shielded, with cable connection (LSA), for solid wires AWG 26 ... 22

---

#### Female insert

RJ45 coupling - CUC-K-D1ZNI-S/R4GCHP8 - 1086108



RJ45 coupling, degree of protection: IP20, number of positions: 8, 10 Gbps, CAT6<sub>A</sub>, material: Zinc die-cast, connection method: 2x RJ45, Keystone design for use with IP20 and IP67 panel mounting frame or integrated directly into the housing panel

---

RJ45 coupling - VS-08-BU-RJ45/BU - 1689064



RJ45 coupling, degree of protection: IP20, number of positions: 8, 1 Gbps, CAT5 (IEC 11801:2002), material: Fiberglass, PBT, connection method: Female, Keystone

---

RJ45 socket insert - VS-08-BU-RJ45-6/KA/LSA - 1653168



RJ45 socket insert, modular (Keystone), CAT6, 8-pos., shielded, with cable connection (LSA), for litz and solid wires AWG 26 ... 22

## Panel mounting frames - VS-08-A-RJ45/MOD-1-IP67-BK - 1658642

### Accessories

RJ45 socket insert - VS-08-BU-RJ45-6-MOD/BU - 1653155



RJ45 socket insert, degree of protection: IP20, number of positions: 8, 1 Gbps, CAT6, material: Zinc die-cast, connection method: 2x RJ45, Keystone

---

RJ11 socket insert - VS-RJ11-BU-MOD/BU - 1656356



Socket insert RJ11, modular system (Keystone), 6-pos., unshielded

---

### Protective cover

Protective covers - VS-08-SD-F-BK - 1658066

Protective cover, IP67, flat design, to cover the contact insert in the panel mounting frame, color: black

