

RJ45 connector - VS-PN-RJ45-5-Q/IP20 - 1658435


Please be informed that the data shown in this PDF Document is generated from our Online Catalog. Please find the complete data in the user's documentation. Our General Terms of Use for Downloads are valid (<http://phoenixcontact.com/download>)



RJ45 connector, degree of protection: IP20, number of positions: 4, 100 Mbps, CAT5 (IEC 11801:2002), material: PA, connection method: IDC fast connection, cable outlet: straight, color: traffic grey A RAL 7042



Key Commercial Data

| | |
|--------------------------------------|---|
| Packing unit | 1 pc |
| GTIN |  4 046356 163118 |
| GTIN | 4046356163118 |
| Weight per Piece (excluding packing) | 20.000 g |
| Custom tariff number | 85366990 |
| Country of origin | Switzerland |

Technical data

Mechanical characteristics

| | |
|-----------------------------|---|
| Connection method | IDC fast connection |
| Overvoltage category | I |
| AWG solid min. | 22 |
| AWG multi-stranded min. | 22 |
| Insertion/withdrawal cycles | ≥ 1000 |
| Number of positions | 4 |
| Degree of pollution | 1 |
| Cable outlet | straight |
| No. of cable outlets | 1 |
| Locking type | Locking clips |
| Conductor cross section | 0.32 mm ² ... 0.32 mm ² (solid) |

RJ45 connector - VS-PN-RJ45-5-Q/IP20 - 1658435

Technical data

Mechanical characteristics

| | |
|--|--|
| | 0.34 mm ² ... 0.34 mm ² (flexible) |
| Weight | 10.2 g |
| Flammability rating according to UL 94 | V0 |

Ambient conditions

| | |
|---|------------------|
| Ambient temperature (operation) | -20 °C ... 70 °C |
| Ambient temperature (storage/transport) | -40 °C ... 70 °C |

Material data

| | |
|----------------------------|----------------|
| Contact surface material | Au/Ni |
| Contact material | Cu/Sn |
| Contact carrier material | PC |
| Cable gland material | PA |
| Housing material | PA |
| Width | 14 mm |
| Height | 14.6 mm |
| Length | 56 mm |
| Housing surface material 1 | PA, light gray |

Electrical characteristics

| | |
|---|---|
| Number of positions | 4 |
| Nominal voltage U _N | 48 V |
| Nominal current I _N | 1.75 A |
| Transmission speed | 100 Mbps |
| Transmission characteristics (category) | CAT5 (IEC 11801:2002) |
| GRP transmission properties | CAT5 (IEC 11801:2002) CAT5 (IEC 11801:2002) |
| Transmission speed | 100 Mbps |
| Frequency range | 100 MHz |
| Rated current | 1.75 A |
| Overvoltage category | I |
| Degree of pollution | 1 |
| Contact resistance | < 0.001 Ω (Wire – IDC) |
| | < 0.005 Ω (Litz wires – IDC) |
| Rated voltage (III/3) | 72 V (DC) |
| Insulation resistance | > 500 MΩ (100 V) |

Standards and Regulations

| | |
|--|-----|
| Connection in acc. with standard | CUL |
| Flammability rating according to UL 94 | V0 |

RJ45 connector - VS-PN-RJ45-5-Q/IP20 - 1658435

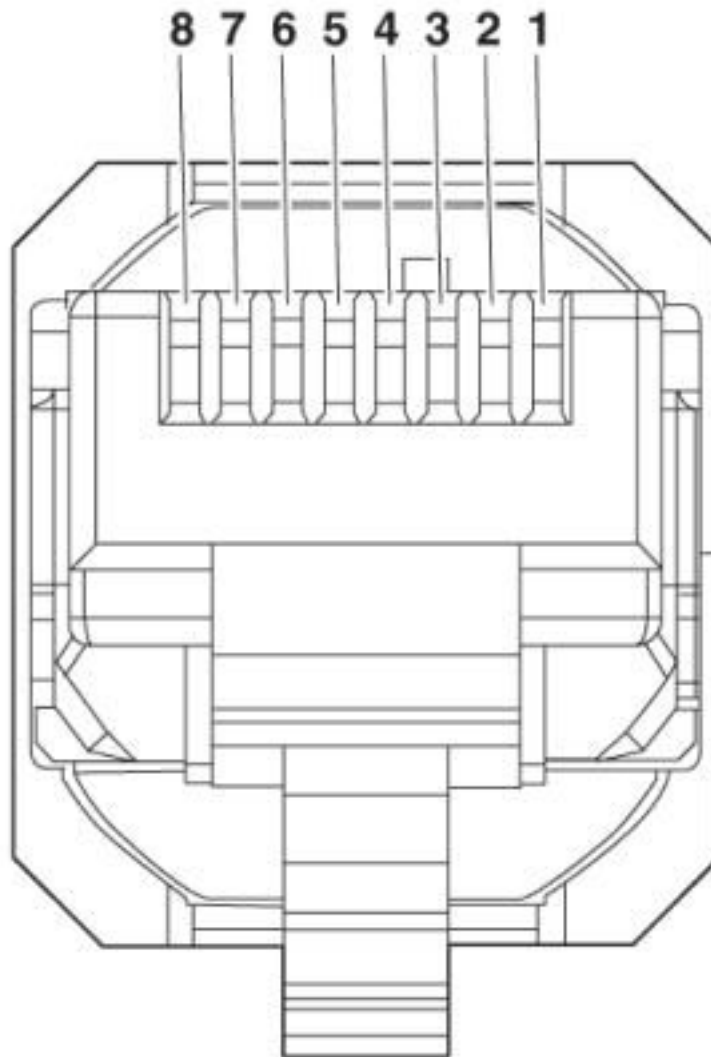
Technical data

Environmental Product Compliance

| | |
|------------|---|
| China RoHS | Environmentally friendly use period: unlimited = EFUP-e |
| | No hazardous substances above threshold values |

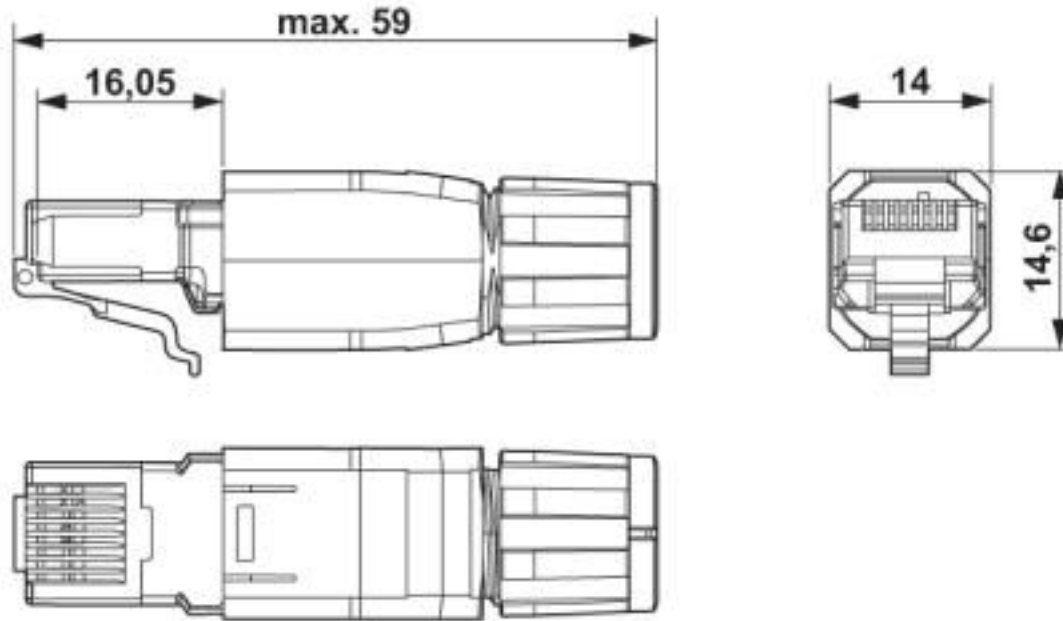
Drawings

Schematic diagram



RJ45 connector - VS-PN-RJ45-5-Q/IP20 - 1658435

Dimensional drawing



RJ45 connector, IP20

Classifications

eCl@ss

| | |
|---------------|----------|
| eCl@ss 10.0.1 | 27440101 |
| eCl@ss 4.0 | 27260700 |
| eCl@ss 4.1 | 27260700 |
| eCl@ss 5.0 | 27260700 |
| eCl@ss 5.1 | 27260700 |
| eCl@ss 6.0 | 27260700 |
| eCl@ss 7.0 | 27440101 |
| eCl@ss 8.0 | 27440101 |
| eCl@ss 9.0 | 27440101 |

ETIM

| | |
|----------|----------|
| ETIM 3.0 | EC001121 |
| ETIM 4.0 | EC001121 |
| ETIM 5.0 | EC002636 |
| ETIM 6.0 | EC002636 |
| ETIM 7.0 | EC002636 |

RJ45 connector - VS-PN-RJ45-5-Q/IP20 - 1658435

Classifications

UNSPSC

| | |
|---------------|----------|
| UNSPSC 6.01 | 31261501 |
| UNSPSC 7.0901 | 31261501 |
| UNSPSC 11 | 31261501 |
| UNSPSC 12.01 | 31261501 |
| UNSPSC 13.2 | 39121409 |
| UNSPSC 18.0 | 39121409 |
| UNSPSC 19.0 | 39121409 |
| UNSPSC 20.0 | 39121409 |
| UNSPSC 21.0 | 39121409 |

Approvals

Approvals

Approvals

UL Listed / cUL Listed / EAC / cULus Listed

Ex Approvals

Approval details

| | | | |
|-----------|--|---|---------------|
| UL Listed | | http://database.ul.com/cgi-bin/XYV/template/LISEXT/1FRAME/index.htm | FILE E 335024 |
|-----------|--|---|---------------|

| | | | |
|------------|--|---|---------------|
| cUL Listed | | http://database.ul.com/cgi-bin/XYV/template/LISEXT/1FRAME/index.htm | FILE E 335024 |
|------------|--|---|---------------|

| | | |
|-----|--|---------|
| EAC | | B.01687 |
|-----|--|---------|

| | |
|--------------|--|
| cULus Listed | |
|--------------|--|

RJ45 connector - VS-PN-RJ45-5-Q/IP20 - 1658435

Accessories

Accessories

Coding element

RJ45 coding rings - VS-08-RJ45-Q-COD-SET - 1656893

Coding set, for color encoding of the RJ45 QUICKON connector, consisting of 80 color rings, 10 rings each in the colors: white, blue, red, green, yellow, violet, brown, gray



RJ45 coding rings - VS-08-RJ45-Q-COD-BU - 1658134

Coding rings, for color coding of the RJ45 QUICKON connector, consisting of 10 color rings, color: Blue



RJ45 coding rings - VS-08-RJ45-Q-COD-BN - 1658147

Coding rings, for color coding of the RJ45 QUICKON connector, consisting of 10 color rings, color: Brown



RJ45 coding rings - VS-08-RJ45-Q-COD-YE - 1658150

Coding rings, for color coding of the RJ45 QUICKON connector, consisting of 10 color rings, color: Yellow



RJ45 coding rings - VS-08-RJ45-Q-COD-GY - 1658163

Coding rings, for color coding of the RJ45 QUICKON connector, consisting of 10 color rings, color: Gray



RJ45 connector - VS-PN-RJ45-5-Q/IP20 - 1658435

Accessories

RJ45 coding rings - VS-08-RJ45-Q-COD-GN - 1658176

Coding rings, for color coding of the RJ45 QUICKON connector, consisting of 10 color rings, color: Green



RJ45 coding rings - VS-08-RJ45-Q-COD-RD - 1658189

Coding rings, for color coding of the RJ45 QUICKON connector, consisting of 10 color rings, color: Red



RJ45 coding rings - VS-08-RJ45-Q-COD-VT - 1658192

Coding rings, for color coding of the RJ45 QUICKON connector, consisting of 10 color rings, color: Violet



RJ45 coding rings - VS-08-RJ45-Q-COD-BK - 1658202

Coding rings, for color coding of the RJ45 QUICKON connector, consisting of 10 color rings, color: Black



Data cable by the meter

Network cable - VS-OE-OE-93B-100,0 - 1416389



Network cable, PROFINET CAT5 (100 Mbps), 4-position, PVC, green RAL 6018, shielded, free cable end, on free cable end, cable length: 100 m

RJ45 connector - VS-PN-RJ45-5-Q/IP20 - 1658435

Accessories

Network cable - VS-OE-OE-93B/... - 1417362



Network cable, PROFINET CAT5 (100 Mbps), 4-position, PVC, green RAL 6018, shielded, free cable end, on free cable end, cable length: Free entry (0.5 ... 400 m)

Network cable - VS-OE-OE-93C-100,0 - 1416376



Network cable, PROFINET CAT5 (100 Mbps), 4-position, PUR halogen-free, green RAL 6018, shielded, free cable end, on free cable end, cable length: 100 m, For drag chains

Network cable - VS-OE-OE-93C/... - 1417491



Network cable, PROFINET CAT5 (100 Mbps), 4-position, PUR halogen-free, green RAL 6018, shielded, free cable end, on free cable end, cable length: Free entry (0.5 ... 400 m), For drag chains

Female insert

RJ45 socket insert - CUC-F-J1ZNI-S/R4IDC8 - 1418984



RJ45 socket insert, type: RJ45, degree of protection: IP20, number of positions: 8, 10 Gbps, CAT6_A, material: Zinc die-cast, connection method: IDC connection, connection cross section: AWG 26- 22, Freenet design for use with IP67 panel mounting frame and terminal outlets

RJ45 coupling - CUC-F-D1ZNI-S/R4GC8 - 1419022



RJ45 coupling, type: RJ45, degree of protection: IP20, number of positions: 8, 1 Gbps, CAT6, material: Zinc die-cast, connection method: Female

RJ45 connector - VS-PN-RJ45-5-Q/IP20 - 1658435

Accessories

RJ45 socket insert - CUC-K-J1ZNI-S/R4IDC8 - 1419021



RJ45 socket insert, type: RJ45, degree of protection: IP20, number of positions: 8, 10 Gbps, CAT6_A, material: Zinc die-cast, connection method: IDC connection, connection cross section: AWG 26- 22, Keystone design for use with IP20 panel mounting frame or integrated directly into the housing panel

Patch panel

DIN rail adapter - CUC-PP-D1PGY/R4IDC8 - 1419024



DIN rail adapter, type: RJ45, degree of protection: IP20, number of positions: 8, 10 Gbps, CAT6_A, material: PC-GF, connection method: IDC connection, connection cross section: AWG 26- 22, color: gray

DIN rail adapter - CUC-PP-D1PGY/R4GC8 - 1418094



DIN rail adapter, type: RJ45, degree of protection: IP20, number of positions: 8, 1 Gbps, CAT6, material: PC-GF, connection method: Coupling, color: gray

Stripping tool - VS-CABLE-STRIP-VARIO - 1657407



Stripping tool, for the multi-level stripping of shielded cables