

Protective covers - VS-08-SD-F-BK - 1658066

Please be informed that the data shown in this PDF Document is generated from our Online Catalog. Please find the complete data in the user's documentation. Our General Terms of Use for Downloads are valid (<http://phoenixcontact.com/download>)

Protective cover, IP67, flat design, to cover the contact insert in the panel mounting frame, color: black



Key Commercial Data

Packing unit	1 pc
Minimum order quantity	5 pc
GTIN	 4 046356 144315
GTIN	4046356144315
Weight per Piece (excluding packing)	3.460 g
Custom tariff number	39269097
Country of origin	Germany

Technical data

Mechanical characteristics

Locking type	without
Weight	3.4 g
Flammability rating according to UL 94	V0

Ambient conditions

Ambient temperature (operation)	-40 °C ... 80 °C
Ambient temperature (assembly)	-5 °C ... 55 °C
Ambient temperature (storage/transport)	-40 °C ... 70 °C

Material data

Housing material	PA
------------------	----

Protective covers - VS-08-SD-F-BK - 1658066

Technical data

Material data

Width	22 mm
Height	10 mm
Length	41 mm

Standards and Regulations

Flammability rating according to UL 94	V0
----------------------------------------	----

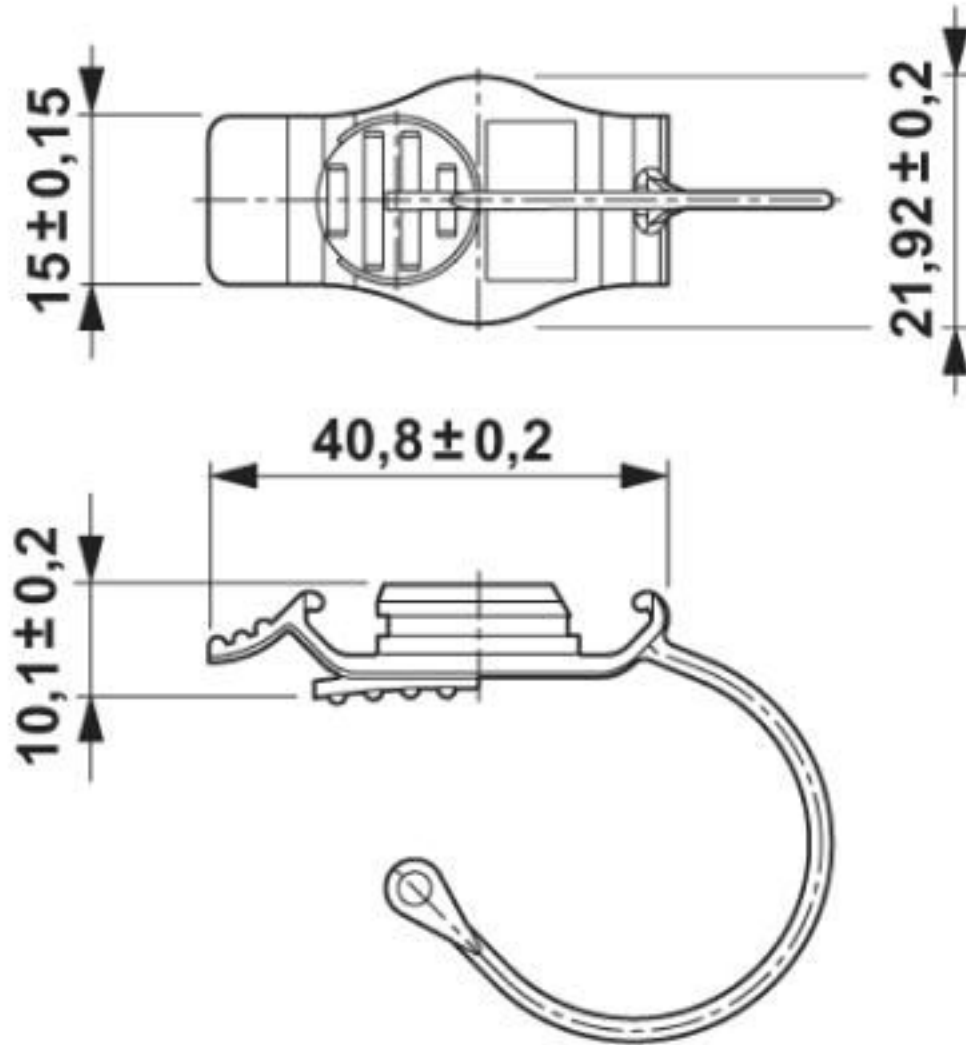
Environmental Product Compliance

China RoHS	Environmentally friendly use period: unlimited = EFUP-e
	No hazardous substances above threshold values

Drawings

Protective covers - VS-08-SD-F-BK - 1658066

Dimensional drawing



Protective cover, IP67

Classifications

eCl@ss

eCl@ss 10.0.1	27440208
eCl@ss 4.0	27141200
eCl@ss 4.1	27141200
eCl@ss 5.0	27149100
eCl@ss 5.1	27149100

Protective covers - VS-08-SD-F-BK - 1658066

Classifications

eCl@ss

eCl@ss 6.0	27261200
eCl@ss 7.0	27440208
eCl@ss 8.0	27440208
eCl@ss 9.0	27440208

ETIM

ETIM 2.0	EC000241
ETIM 3.0	EC002040
ETIM 4.0	EC002314
ETIM 5.0	EC002314
ETIM 6.0	EC002314
ETIM 7.0	EC002314

UNSPSC

UNSPSC 6.01	30212113
UNSPSC 7.0901	39121712
UNSPSC 11	39121712
UNSPSC 12.01	39121712
UNSPSC 13.2	39121421
UNSPSC 18.0	39121421
UNSPSC 19.0	39121421
UNSPSC 20.0	39121421
UNSPSC 21.0	39121421

Approvals

Approvals

Approvals

EAC

Ex Approvals

Approval details

Protective covers - VS-08-SD-F-BK - 1658066

Approvals

EAC



B.01742

Accessories

Accessories

Data plug

RJ45 coupling - VS-08-KU-IP67-BK - 1658684



RJ45 coupling, IP67, CAT5e, with protective cover, color: black