

## FO connecting cable - VS-PC-2X-POF-980-SCRJ/FSMA-5 - 1657122


Please be informed that the data shown in this PDF Document is generated from our Online Catalog. Please find the complete data in the user's documentation. Our General Terms of Use for Downloads are valid (<http://phoenixcontact.com/download>)



Assembled FO cable, break-out cable, polymer fiber 980/1000 µm, SC-RJ/IP20 on FSMA/IP20, for installation inside the control cabinets, the conductor is suitable for the UV-protected outside insert, length: 5 m



### Key Commercial Data

|                                      |                                                                                                         |
|--------------------------------------|---------------------------------------------------------------------------------------------------------|
| Packing unit                         | 1 pc                                                                                                    |
| GTIN                                 | <br>4 046356 100182 |
| GTIN                                 | 4046356100182                                                                                           |
| Weight per Piece (excluding packing) | 76.000 g                                                                                                |
| Custom tariff number                 | 85447000                                                                                                |
| Country of origin                    | Germany                                                                                                 |

### Technical data

#### Mechanical characteristics

|                   |           |
|-------------------|-----------|
| Connection method | POF SC-RJ |
| Number of slots   | 2         |
| Weight            | 76 g      |

#### Ambient conditions

|                                         |                  |
|-----------------------------------------|------------------|
| Ambient temperature (operation)         | -20 °C ... 70 °C |
| Ambient temperature (assembly)          | -5 °C ... 50 °C  |
| Ambient temperature (storage/transport) | -40 °C ... 85 °C |
| Degree of protection                    | IP20             |

#### Material data

|                  |                   |
|------------------|-------------------|
| Housing material | PBT/nickel silver |
|------------------|-------------------|

# FO connecting cable - VS-PC-2X-POF-980-SCRJ/FSMA-5 - 1657122

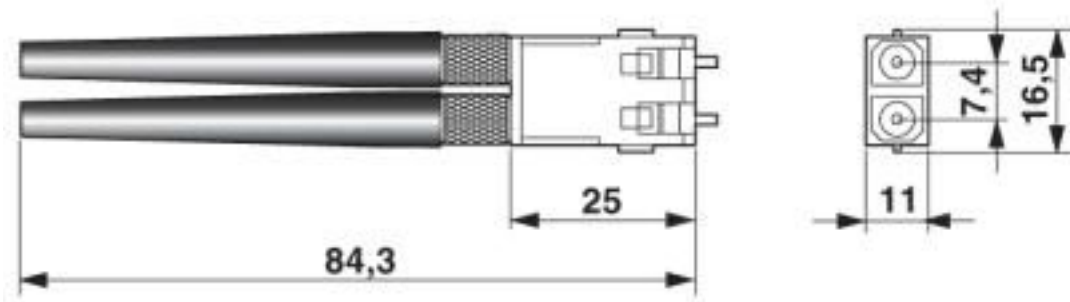
## Technical data

### Environmental Product Compliance

|            |                                                                                                     |
|------------|-----------------------------------------------------------------------------------------------------|
| REACH SVHC | Lead 7439-92-1                                                                                      |
| China RoHS | Environmentally Friendly Use Period = 50 years                                                      |
|            | For details about hazardous substances go to tab "Downloads", Category "Manufacturer's declaration" |

## Drawings

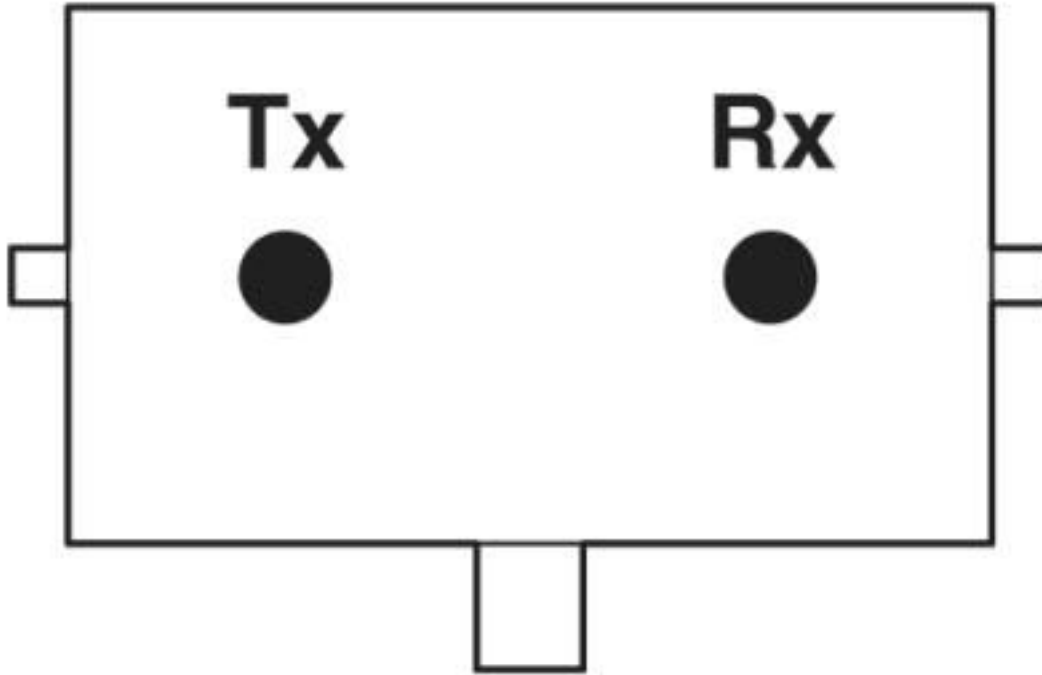
Dimensional drawing



SC-RJ connector IP20

# FO connecting cable - VS-PC-2X-POF-980-SCRJ/FSMA-5 - 1657122

Schematic diagram



Pin assignment plug SCRJ

## Classifications

eCl@ss

|               |          |
|---------------|----------|
| eCl@ss 10.0.1 | 27061003 |
| eCl@ss 4.0    | 24010400 |
| eCl@ss 4.1    | 24010400 |
| eCl@ss 5.0    | 19030300 |
| eCl@ss 5.1    | 19030300 |
| eCl@ss 6.0    | 27061800 |
| eCl@ss 7.0    | 27061803 |
| eCl@ss 8.0    | 27061003 |
| eCl@ss 9.0    | 27061003 |

ETIM

|          |          |
|----------|----------|
| ETIM 3.0 | EC000034 |
| ETIM 4.0 | EC001476 |
| ETIM 5.0 | EC001263 |
| ETIM 6.0 | EC001263 |

# FO connecting cable - VS-PC-2X-POF-980-SCRJ/FSMA-5 - 1657122

## Classifications

### ETIM

|          |          |
|----------|----------|
| ETIM 7.0 | EC001263 |
|----------|----------|

### UNSPSC

|               |          |
|---------------|----------|
| UNSPSC 6.01   | 31261501 |
| UNSPSC 7.0901 | 31261501 |
| UNSPSC 11     | 31261501 |
| UNSPSC 12.01  | 31261501 |
| UNSPSC 13.2   | 26121607 |
| UNSPSC 18.0   | 26121607 |
| UNSPSC 19.0   | 26121607 |
| UNSPSC 20.0   | 26121607 |
| UNSPSC 21.0   | 26121607 |

## Approvals

### Approvals

---

Approvals

EAC

---

Ex Approvals

---

### Approval details

|     |                                                                                     |         |
|-----|-------------------------------------------------------------------------------------|---------|
| EAC |  | B.01742 |
|-----|-------------------------------------------------------------------------------------|---------|

---