

FO connecting cable - VS-PC-2X-POF-980-SCRJ/FSMA-2 - 1657119


Please be informed that the data shown in this PDF Document is generated from our Online Catalog. Please find the complete data in the user's documentation. Our General Terms of Use for Downloads are valid (<http://phoenixcontact.com/download>)



Assembled FO cable, break-out cable, polymer fiber 980/1000 µm, SC-RJ/IP20 on FSMA/IP20, for installation inside the control cabinets, the conductor is suitable for the UV-protected outside insert, length: 2 m



Key Commercial Data

Packing unit	1 pc
GTIN	 4 046356 100175
GTIN	4046356100175
Weight per Piece (excluding packing)	53.900 g
Custom tariff number	85447000
Country of origin	Germany

Technical data

Mechanical characteristics

Number of slots	2
Weight	46.1 g

Ambient conditions

Ambient temperature (operation)	-20 °C ... 70 °C
	-20 °C ... 70 °C
Ambient temperature (assembly)	-5 °C ... 50 °C
Ambient temperature (storage/transport)	-40 °C ... 85 °C
Degree of protection	IP20

Material data

Housing material	PBT/nickel silver
------------------	-------------------

FO connecting cable - VS-PC-2X-POF-980-SCRJ/FSMA-2 - 1657119

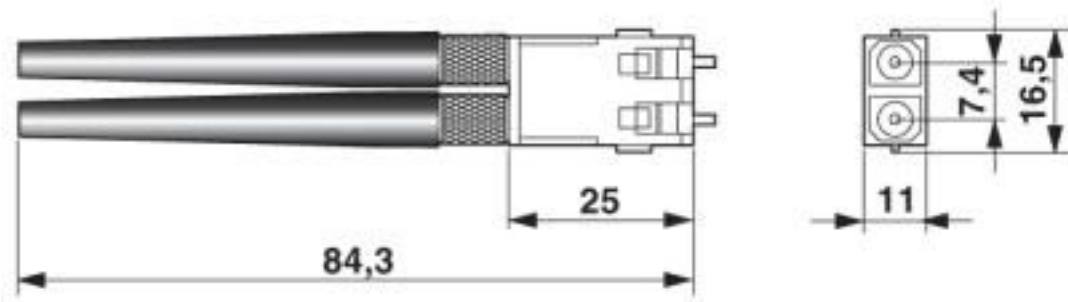
Technical data

Environmental Product Compliance

REACH SVHC	Lead 7439-92-1
China RoHS	Environmentally Friendly Use Period = 50 years
	For details about hazardous substances go to tab "Downloads", Category "Manufacturer's declaration"

Drawings

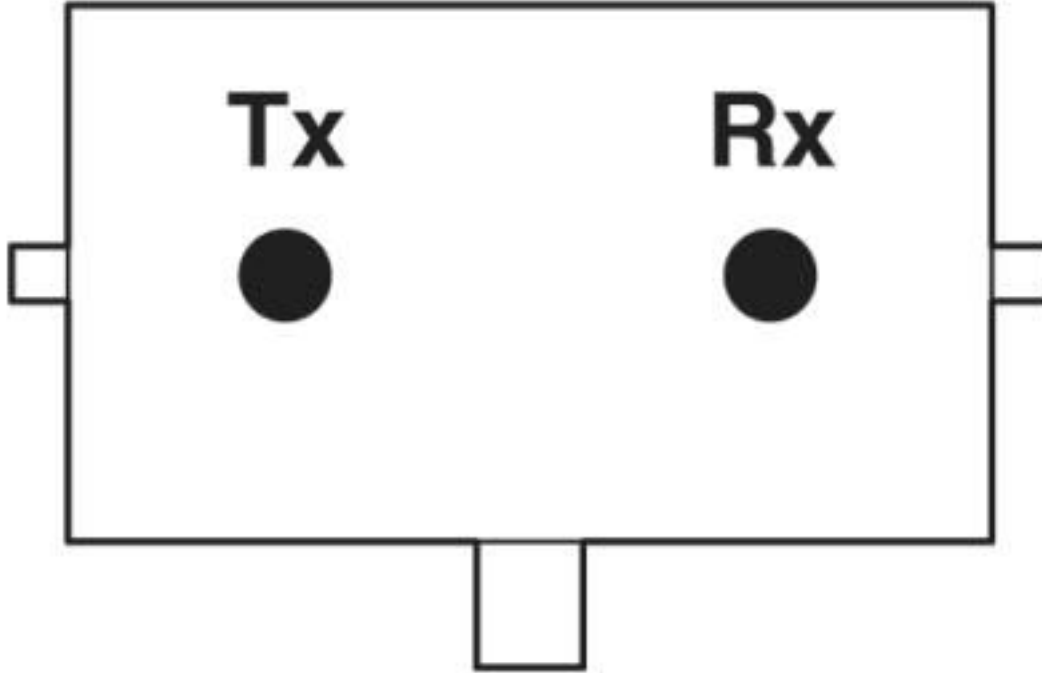
Dimensional drawing



SC-RJ connector IP20

FO connecting cable - VS-PC-2X-POF-980-SCRJ/FSMA-2 - 1657119

Schematic diagram



Pin assignment plug SCRJ

Classifications

eCl@ss

eCl@ss 10.0.1	27061003
eCl@ss 4.0	24010400
eCl@ss 4.1	24010400
eCl@ss 5.0	19030300
eCl@ss 5.1	19030300
eCl@ss 6.0	27061800
eCl@ss 7.0	27061803
eCl@ss 8.0	27061003
eCl@ss 9.0	27061003

ETIM

ETIM 3.0	EC000034
ETIM 4.0	EC001476
ETIM 5.0	EC001263
ETIM 6.0	EC001263

FO connecting cable - VS-PC-2X-POF-980-SCRJ/FSMA-2 - 1657119

Classifications

ETIM

ETIM 7.0	EC001263
----------	----------

UNSPSC

UNSPSC 6.01	31261501
UNSPSC 7.0901	31261501
UNSPSC 11	31261501
UNSPSC 12.01	31261501
UNSPSC 13.2	26121607
UNSPSC 18.0	26121607
UNSPSC 19.0	26121607
UNSPSC 20.0	26121607
UNSPSC 21.0	26121607

Approvals

Approvals

Approvals

EAC

Ex Approvals

Approval details

EAC		B.01742
-----	---	---------
