

RJ45 connector - VS-08-RJ45-5-Q/IP67 - 1656990

Please be informed that the data shown in this PDF Document is generated from our Online Catalog. Please find the complete data in the user's documentation. Our General Terms of Use for Downloads are valid (<http://phoenixcontact.com/download>)




RJ45 connector, degree of protection: IP67, number of positions: 8, CAT5 (IEC 11801:2002), material: PA, connection method: IDC fast connection, connection cross section: AWG 26- 23, cable outlet: straight, color: traffic grey A RAL 7042

Your advantages

- assembly without special tools
- High-quality and inexpensive solution in the IP protection zone
- UL
- Simple operation
- IP65/67



Key Commercial Data

Packing unit	1 pc
GTIN	 4 046356 081399
GTIN	4046356081399
Weight per Piece (excluding packing)	31.600 g
Custom tariff number	85366990
Country of origin	Germany

Technical data

Mechanical characteristics

Connection method	IDC fast connection
Minimum external conductor diameter	5 mm
Maximum external conductor diameter	8.5 mm
Overvoltage category	I
AWG solid min.	26

RJ45 connector - VS-08-RJ45-5-Q/IP67 - 1656990

Technical data

Mechanical characteristics

AWG solid max.	23
AWG multi-stranded min.	26
AWG multi-stranded max.	23
Degree of pollution	2
Cable outlet	straight
No. of cable outlets	1
Conductor cross section	0.14 mm ² ... 0.36 mm ² (solid)
	0.14 mm ² ... 0.36 mm ² (flexible)
Weight	31.7 g
Flammability rating according to UL 94	V0

Ambient conditions

Ambient temperature (operation)	-20 °C ... 70 °C
Ambient temperature (assembly)	-5 °C ... 55 °C
Ambient temperature (storage/transport)	-40 °C ... 70 °C

Material data

Contact surface material	Gold over nickel
Contact material	Copper alloy
Contact carrier material	PC
Housing material	PA
Width	38.4 mm
Height	22.8 mm
Length	77 mm

Electrical characteristics

Number of positions	8
Nominal voltage U _N	48 V
Transmission characteristics (category)	CAT5 (IEC 11801:2002)
GRP transmission properties	CAT5 (IEC 11801:2002) CAT5 (IEC 11801:2002)
Rated current	1.75 A
Overvoltage category	I
Degree of pollution	2
Contact resistance	0.001 Ω (Wire – IDC)
	0.005 Ω (Litz wires – IDC)
Rated voltage (III/3)	72 V (DC)

Standards and Regulations

Connection in acc. with standard	CUL
----------------------------------	-----

RJ45 connector - VS-08-RJ45-5-Q/IP67 - 1656990

Technical data

Standards and Regulations

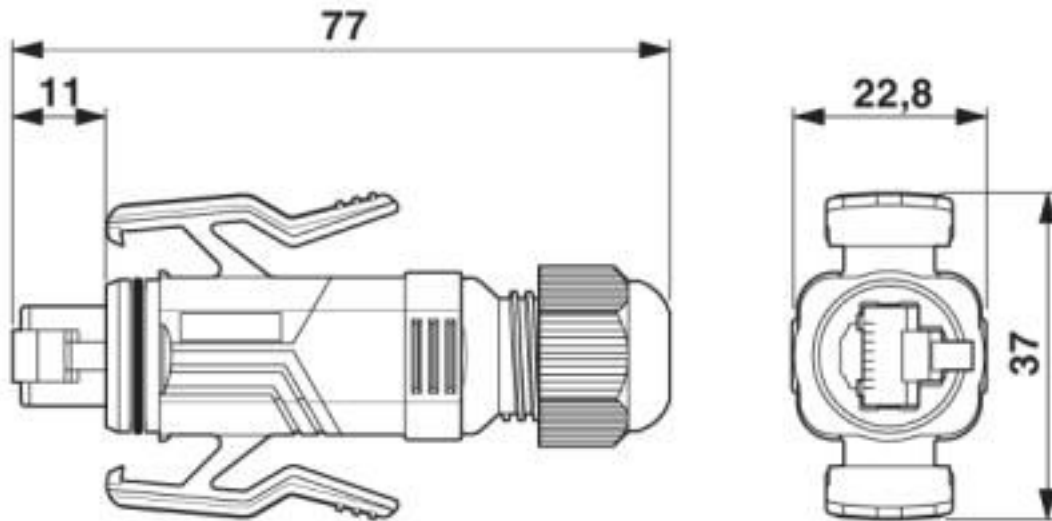
Flammability rating according to UL 94	V0
--	----

Environmental Product Compliance

REACH SVHC	Lead 7439-92-1
China RoHS	Environmentally Friendly Use Period = 50 years
	For details about hazardous substances go to tab "Downloads", Category "Manufacturer's declaration"

Drawings

Dimensional drawing



RJ45 connectors, IP67, QUICKON fast connection technology

Classifications

eCl@ss

eCl@ss 10.0.1	27440101
eCl@ss 4.0	27260700
eCl@ss 4.1	27260700
eCl@ss 5.0	27260700
eCl@ss 5.1	27260700
eCl@ss 6.0	27260700
eCl@ss 7.0	27440101
eCl@ss 8.0	27440101

RJ45 connector - VS-08-RJ45-5-Q/IP67 - 1656990

Classifications

eCl@ss

eCl@ss 9.0	27440101
------------	----------

ETIM

ETIM 2.0	EC000764
ETIM 3.0	EC001121
ETIM 4.0	EC001121
ETIM 5.0	EC002636
ETIM 6.0	EC002636
ETIM 7.0	EC002636

UNSPSC

UNSPSC 6.01	31261501
UNSPSC 7.0901	31261501
UNSPSC 11	31261501
UNSPSC 12.01	31261501
UNSPSC 13.2	39121409
UNSPSC 18.0	39121409
UNSPSC 19.0	39121409
UNSPSC 20.0	39121409
UNSPSC 21.0	39121409

Approvals


Approvals

Approvals

UL Recognized / cUL Recognized / EAC / cULus Recognized

Ex Approvals

Approval details

UL Recognized		http://database.ul.com/cgi-bin/XYV/template/LISEXT/1FRAME/index.htm	FILE E 118976
Nominal voltage UN	50 V		

RJ45 connector - VS-08-RJ45-5-Q/IP67 - 1656990

Approvals

Nominal current I _N	1.75 A
mm ² /AWG/kcmil	22

cUL Recognized		http://database.ul.com/cgi-bin/XYV/template/LISEXT/1FRAME/index.htm	FILE E 118976
Nominal voltage U _N	50 V		
Nominal current I _N	1.75 A		
mm ² /AWG/kcmil	22		

EAC		B.01687
-----	--	---------

cULus Recognized	
------------------	--

Accessories

Accessories

Data plug

RJ45 socket insert - VS-08-BU-RJ45/KA/LSA - 1689459



RJ45 socket insert, modular (Keystone), CAT5e, 8-pos., shielded, with cable connection (LSA), for solid wires AWG 26 ... 22

RJ45 coupling - VS-08-KU-IP67 - 1689268



RJ45 coupling, IP67, CAT5e, with protective cover, color: gray

Female insert

RJ45 connector - VS-08-RJ45-5-Q/IP67 - 1656990

Accessories

RJ45 coupling - VS-08-BU-RJ45/BU - 1689064



RJ45 coupling, degree of protection: IP20, number of positions: 8, 1 Gbps, CAT5 (IEC 11801:2002), material: Fiberglass, PBT, connection method: Female, Keystone

RJ45 socket insert - VS-08-BU-RJ45-6/KA/LSA - 1653168



RJ45 socket insert, modular (Keystone), CAT6, 8-pos., shielded, with cable connection (LSA), for litz and solid wires AWG 26 ... 22

RJ45 socket insert - VS-08-BU-RJ45-6-MOD/BU - 1653155



RJ45 socket insert, degree of protection: IP20, number of positions: 8, 1 Gbps, CAT6, material: Zinc die-cast, connection method: 2x RJ45, Keystone

RJ11 socket insert - VS-RJ11-BU-MOD/BU - 1656356



Socket insert RJ11, modular system (Keystone), 6-pos., unshielded

Panel mounting frame

Panel mounting frames - VS-08-A-RJ45/MOD-1-IP67 - 1689080



RJ45 panel mounting frame, IP67, for modular socket inserts (Keystone), for square panel cutout, with grommet, without mounting screws, color: gray

RJ45 connector - VS-08-RJ45-5-Q/IP67 - 1656990

Accessories

Panel mounting frames - VS-08-A-RJ45/MOD-1-R-IP67 - 1689844



RJ45 panel mounting frame, IP67, for modular socket inserts (Keystone), for round panel cutout, with grommet, with thread and union nut, color: gray

Panel mounting frames - VS-08-A-RJ45/LP-1-IP67 - 1689446



RJ45 panel mounting frame, IP67, for PCB connection, for square panel cutout, with grommet, without mounting screws, color: gray

Protective cover

Protective covers - VS-SCRJ-PC - 1653757



IP67 protective cover, for covering the male inserts in the sleeve housings IP67, VS-SC-RJ-..., VS-04-..., VS-06-... and VS-08-...

Ethernet panel mounting frames - VS-08-A-RJ45/MOD-1-IP67-SETLSA - 1652402



RJ45 panel mounting frame, IP67, modular (keystone), for rectangular mounting cutouts, with seal, without mounting screws, with modular RJ45 socket insert, CAT5e, socket to LSA
