

Socket insert - VS-SI-SD-FR - 1656534

Please be informed that the data shown in this PDF Document is generated from our Online Catalog. Please find the complete data in the user's documentation. Our General Terms of Use for Downloads are valid (<http://phoenixcontact.com/download>)



Ground contact socket, plastic, for France



Key Commercial Data

Packing unit	1 pc
GTIN	 4 046356 029902
GTIN	4046356029902
Weight per Piece (excluding packing)	154.200 g
Custom tariff number	85366990
Country of origin	Belgium

Technical data

Mechanical characteristics

Connection method	Screw connection
AWG solid max.	10
Conductor cross section	6 mm ²
Weight	154.2 g
Flammability rating according to UL 94	V0

Ambient conditions

Ambient temperature (operation)	-10 °C ... 60 °C
Degree of protection	IP20

Material data

Housing material	PA
------------------	----

Socket insert - VS-SI-SD-FR - 1656534

Technical data

Material data

Width	51 mm
Height	88 mm
Depth	68 mm
Assembly instructions	suitable for all mounting frames

Electrical characteristics

Connection cross section AWG	10
Rated current	16 A

Standards and Regulations

Flammability rating according to UL 94	V0
----------------------------------------	----

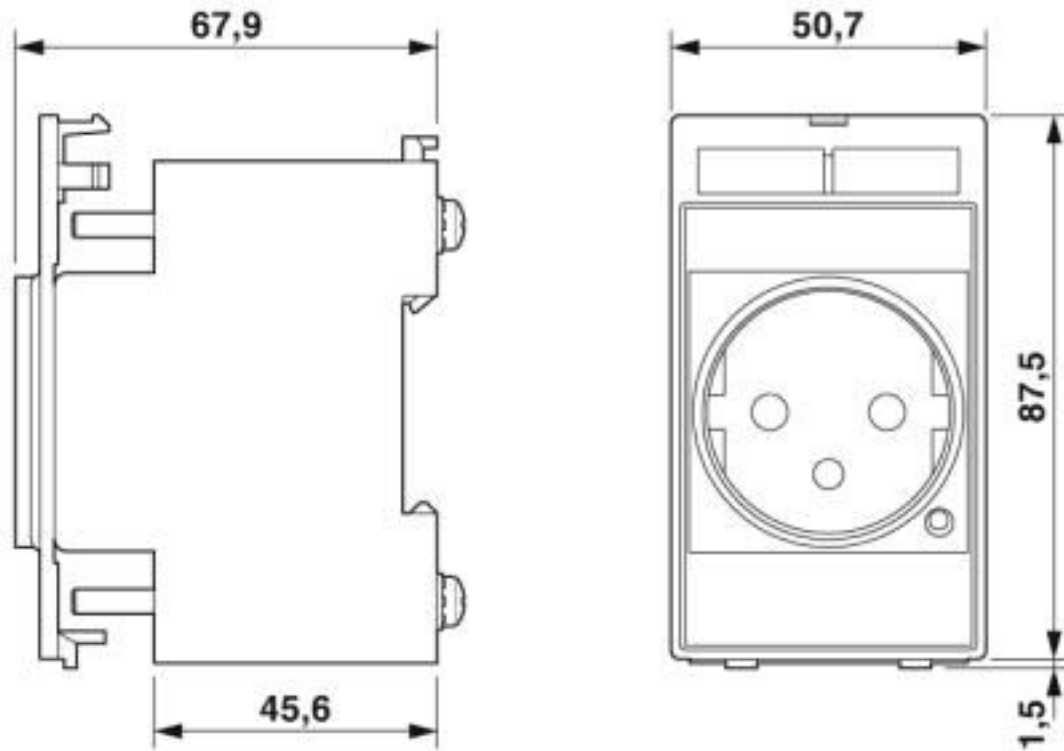
Environmental Product Compliance

REACH SVHC	Lead 7439-92-1
China RoHS	Environmentally Friendly Use Period = 50 years
	For details about hazardous substances go to tab "Downloads", Category "Manufacturer's declaration"

Drawings

Socket insert - VS-SI-SD-FR - 1656534

Dimensional drawing



Socket insert

Classifications

eCl@ss

eCl@ss 10.0.1	27144021
eCl@ss 4.0	27142300
eCl@ss 4.1	27142300
eCl@ss 5.0	27142300
eCl@ss 5.1	27142300
eCl@ss 6.0	27142300
eCl@ss 7.0	27142305
eCl@ss 8.0	27142305
eCl@ss 9.0	27144021

ETIM

ETIM 2.0	EC001121
ETIM 3.0	EC000125
ETIM 4.0	EC000125

Socket insert - VS-SI-SD-FR - 1656534

Classifications

ETIM

ETIM 5.0	EC001663
ETIM 6.0	EC000450
ETIM 7.0	EC000450

UNSPSC

UNSPSC 6.01	31261501
UNSPSC 7.0901	31261501
UNSPSC 11	31261501
UNSPSC 12.01	31261501
UNSPSC 13.2	39121406
UNSPSC 19.0	39121406

Approvals

Approvals


Approvals

EAC / EAC

Ex Approvals

Approval details

EAC		EAC-Zulassung
-----	-------------------------------------------------------------------------------------	---------------

EAC		RU C- DE.A*30.B.01102
-----	-------------------------------------------------------------------------------------	--------------------------