

## Socket insert - VS-SI-SD-DE-G - 1656518


Please be informed that the data shown in this PDF Document is generated from our Online Catalog. Please find the complete data in the user's documentation. Our General Terms of Use for Downloads are valid (<http://phoenixcontact.com/download>)



Socket insert, degree of protection: IP20, material: PA, connection method: Screw connection, Germany



### Key Commercial Data

Packing unit	1 pc
GTIN	 4 046356 029889
GTIN	4046356029889
Weight per Piece (excluding packing)	146.000 g
Custom tariff number	85366990
Country of origin	Belgium

### Technical data

#### Mechanical characteristics

Connection method	Screw connection
AWG solid max.	10
Conductor cross section	6 mm <sup>2</sup>
Weight	143.7 g
Flammability rating according to UL 94	V0

#### Ambient conditions

Ambient temperature (operation)	-10 °C ... 60 °C
Degree of protection	IP20

#### Material data

Housing material	PA
------------------	----

# Socket insert - VS-SI-SD-DE-G - 1656518

## Technical data

### Material data

Assembly instructions	suitable for all mounting frames
-----------------------	----------------------------------

### Electrical characteristics

Connection cross section AWG	10
Rated current	16 A

### Standards and Regulations

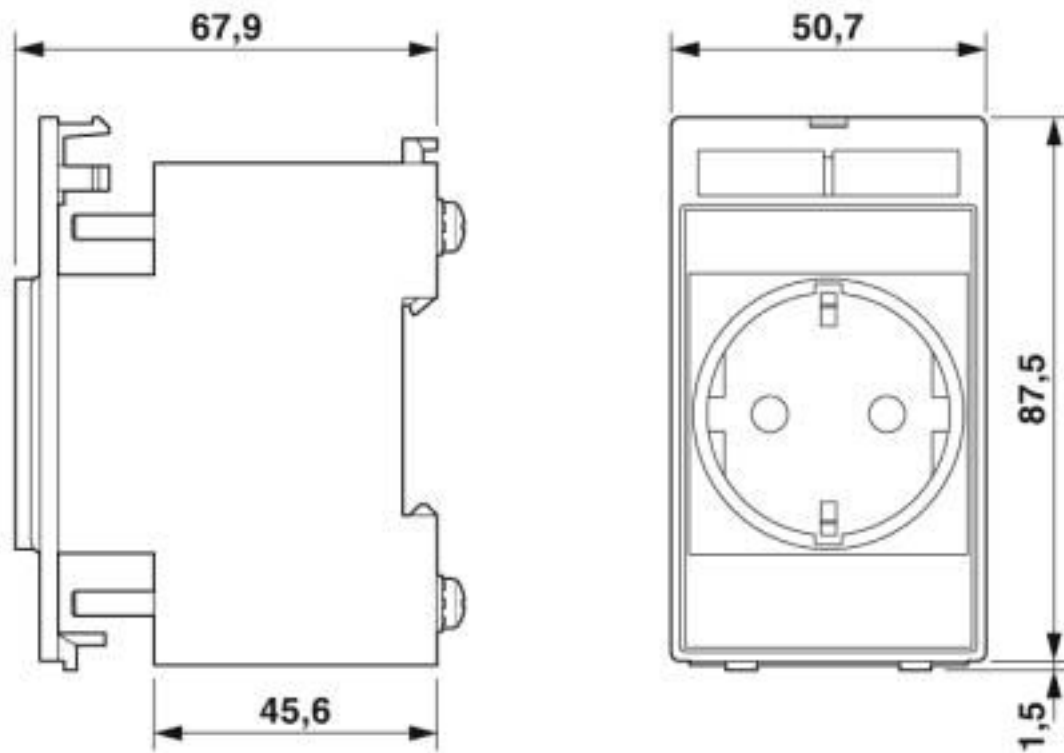
Flammability rating according to UL 94	V0
--	----

### Environmental Product Compliance

REACH SVHC	Lead 7439-92-1
China RoHS	Environmentally Friendly Use Period = 50 years
	For details about hazardous substances go to tab "Downloads", Category "Manufacturer's declaration"

## Drawings

Dimensional drawing



Socket insert

# Socket insert - VS-SI-SD-DE-G - 1656518

## Classifications

### eCl@ss

eCl@ss 10.0.1	27144021
eCl@ss 4.0	27142300
eCl@ss 4.1	27142300
eCl@ss 5.0	27142300
eCl@ss 5.1	27142300
eCl@ss 6.0	27142300
eCl@ss 7.0	27142305
eCl@ss 8.0	27142305
eCl@ss 9.0	27144021

### ETIM

ETIM 2.0	EC001121
ETIM 3.0	EC000125
ETIM 4.0	EC000125
ETIM 5.0	EC001663
ETIM 6.0	EC000450
ETIM 7.0	EC000450

### UNSPSC

UNSPSC 6.01	31261501
UNSPSC 7.0901	31261501
UNSPSC 11	31261501
UNSPSC 12.01	31261501
UNSPSC 13.2	39121406
UNSPSC 19.0	39121406

## Approvals

### Approvals

---

Approvals

EAC / EAC

---

Ex Approvals


---

### Approval details

## Socket insert - VS-SI-SD-DE-G - 1656518

### Approvals

EAC		EAC-Zulassung
-----	---	---------------

EAC		RU C- DE.A*30.B.01102
-----	---	--------------------------