

## Mounting frame - VS-SI-EB-EMV-2 - 1656495

Please be informed that the data shown in this PDF Document is generated from our Online Catalog. Please find the complete data in the user's documentation. Our General Terms of Use for Downloads are valid (<http://phoenixcontact.com/download>)

Mounting frame, for two front plates or sockets, metal frame, matt nickel-plated, electrically conductive, transparent cover



RoHS

### Key Commercial Data

|                                      |               |
|--------------------------------------|---------------|
| Packing unit                         | 1 pc          |
| GTIN                                 |               |
| GTIN                                 | 4046356029865 |
| Weight per Piece (excluding packing) | 400.000 g     |
| Custom tariff number                 | 85389099      |
| Country of origin                    | Germany       |

### Technical data

#### Dimensions

|                               |        |
|-------------------------------|--------|
| Height                        | 35 mm  |
| Width                         | 130 mm |
| Length                        | 120 mm |
| Length of the assembly cutout | 91 mm  |
| Width of the assembly cutout  | 117 mm |

#### Ambient conditions

|                                      |                  |
|--------------------------------------|------------------|
| Degree of protection of housing (IP) | IP65             |
| Ambient temperature (operation)      | -10 °C ... 60 °C |

#### General

|      |                             |
|------|-----------------------------|
| Note | With lockable pressure lock |
|------|-----------------------------|

## Mounting frame - VS-SI-EB-EMV-2 - 1656495

### Technical data

#### General

|  |  |
|--|--|
| Type                                   | For 2 front plates                           |
| Color                                  | transparent                                  |
| Housing material                       | Zinc alloy                                   |
| Housing surface material               | Nickel-plated                                |
| Flammability rating according to UL 94 | V0   |
| Assembly instructions                  | Suitable for panel thicknesses 1 mm ... 5 mm |

#### Standards and Regulations

|  |    |
|--|----|
| Flammability rating according to UL 94 | V0 |
|--|----|

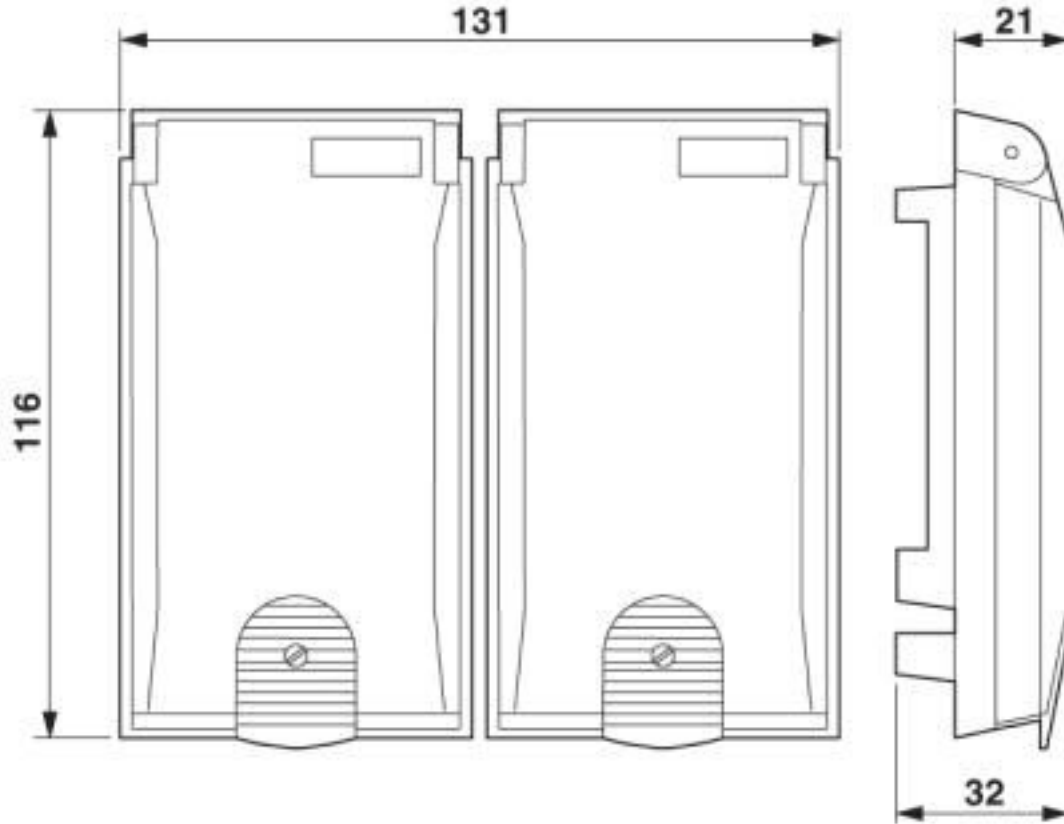
#### Environmental Product Compliance

|            |   |
|------------|---|
| REACH SVHC | Lead 7439-92-1  |
| China RoHS | Environmentally Friendly Use Period = 50 years  |
|            | For details about hazardous substances go to tab "Downloads", Category "Manufacturer's declaration" |

### Drawings

# Mounting frame - VS-SI-EB-EMV-2 - 1656495

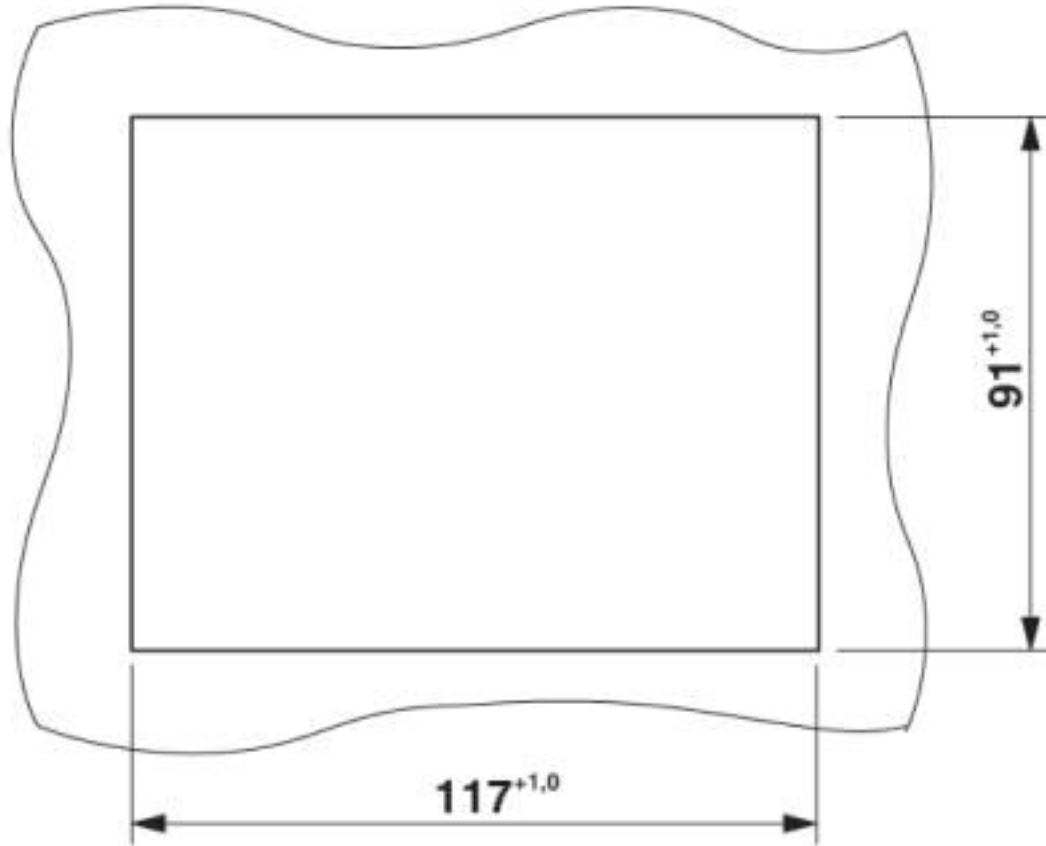
Dimensional drawing



Dimensional drawing

# Mounting frame - VS-SI-EB-EMV-2 - 1656495

Dimensional drawing



Mounting cutout

## Classifications

eCl@ss

|               |          |
|---------------|----------|
| eCl@ss 10.0.1 | 27182806 |
| eCl@ss 4.0    | 27141200 |
| eCl@ss 4.1    | 27141200 |
| eCl@ss 5.0    | 27144000 |
| eCl@ss 5.1    | 27144000 |
| eCl@ss 6.0    | 27144000 |
| eCl@ss 7.0    | 27144001 |
| eCl@ss 8.0    | 27144001 |
| eCl@ss 9.0    | 27189217 |

# Mounting frame - VS-SI-EB-EMV-2 - 1656495

## Classifications

### ETIM

|          |          |
|----------|----------|
| ETIM 2.0 | EC000007 |
| ETIM 3.0 | EC000007 |
| ETIM 4.0 | EC000007 |
| ETIM 5.0 | EC000007 |
| ETIM 6.0 | EC000456 |
| ETIM 7.0 | EC000456 |

### UNSPSC

|               |          |
|---------------|----------|
| UNSPSC 6.01   | 31261501 |
| UNSPSC 7.0901 | 31261501 |
| UNSPSC 11     | 31261501 |
| UNSPSC 12.01  | 31261501 |
| UNSPSC 13.2   | 31261501 |
| UNSPSC 18.0   | 39121302 |
| UNSPSC 19.0   | 39121302 |
| UNSPSC 20.0   | 39121302 |
| UNSPSC 21.0   | 39121302 |

## Accessories

### Accessories

#### Data front plate

Front plate - VS-SI-FP-2RJ-MOD - 1656631



Front plate, plastic with shroud, for 2x RJ with modular system (Keystone)

Front plate - VS-SI-FP-2DSUB9 - 1656563



Data front plate, plastic, for 2 x 9-pos. D-SUB, item 1656961 may be required for mounting D-SUB inserts

## Mounting frame - VS-SI-EB-EMV-2 - 1656495

### Accessories

#### Front plate - VS-SI-FP-DSUB9-DSUB15 - 1656576



Data front plate, plastic, for 1 x 15-pos. D-SUB and 1 x 15-pos. D-SUB, item 1656961 may be required for mounting D-SUB inserts

---

#### Front plate - VS-SI-FP-DSUB9-DSUB25 - 1656589



Data front plate, plastic, for 1 x 9-pos. D-SUB and 1 x 25-pos. D-SUB, item 1656961 may be required for mounting D-SUB inserts

---

#### Front plate - VS-SI-FP-2DSUB15 - 1656592



Data front plate, plastic, for 2 x 15-pos. D-SUB, item 1656961 may be required for mounting D-SUB inserts

---

#### Front plate - VS-SI-FP-DSUB15-DSUB25 - 1656602



Data front plate, plastic, for 1 x 15-pos. D-SUB and 1 x 25-pos. D-SUB, item 1656961 may be required for mounting D-SUB inserts

---

#### Front plate - VS-SI-FP-2DSUB25 - 1656615



Data front plate, plastic, for 2x D-SUB 25, item 1656961 may be required for mounting D-SUB inserts

---

### Marking material

## Mounting frame - VS-SI-EB-EMV-2 - 1656495

### Accessories

Marker labels - VS-SI-BZ - 1656660



Marker label, plastic, plate with 20 labels

---

### Socket

Socket insert - VS-SI-SD-DE - 1656505



Ground contact socket, plastic, for Germany

---

Socket insert - VS-SI-SD-DE-G - 1656518



Socket insert, degree of protection: IP20, material: PA, connection method: Screw connection, Germany

---

Socket insert - VS-SI-SD-USA - 1656521



Ground contact socket, plastic, for USA

---

Socket insert - VS-SI-SD-FR - 1656534



Ground contact socket, plastic, for France

---

## Mounting frame - VS-SI-EB-EMV-2 - 1656495

### Accessories

Socket insert - VS-SI-SD-GB - 1656547



Ground contact socket, plastic, for Great Britain

---

Socket insert - VS-SI-SD-IT - 1656550



Socket insert, degree of protection: IP20, material: PA, connection method: Screw connection, color: light gray, Italy

---

---