

## Mounting frame - VS-SI-EB-EMV-1 - 1656482

Please be informed that the data shown in this PDF Document is generated from our Online Catalog. Please find the complete data in the user's documentation. Our General Terms of Use for Downloads are valid (<http://phoenixcontact.com/download>)



Mounting frame, for one front plate or socket, metal frame, matt nickel-plated, electrically conductive, transparent cover

RoHS

### Key Commercial Data

Packing unit	1 pc
GTIN	 4 046356 029858
GTIN	4046356029858
Weight per Piece (excluding packing)	204.100 g
Custom tariff number	85389099
Country of origin	Germany

### Technical data

#### Dimensions

Height	38 mm
Width	65 mm
Length	120 mm
Length of the assembly cutout	91 mm
Width of the assembly cutout	52 mm

#### Ambient conditions

Degree of protection of housing (IP)	IP65
Ambient temperature (operation)	-10 °C ... 60 °C

#### General

Note	With lockable pressure lock
------	-----------------------------

## Mounting frame - VS-SI-EB-EMV-1 - 1656482

### Technical data

#### General

Type	For 1 front plate
Color	transparent
Housing material	Zinc alloy
Housing surface material	Nickel-plated
Flammability rating according to UL 94	V0
Assembly instructions	Suitable for panel thicknesses 1 mm ... 5 mm

#### Standards and Regulations

Flammability rating according to UL 94	V0
----------------------------------------	----

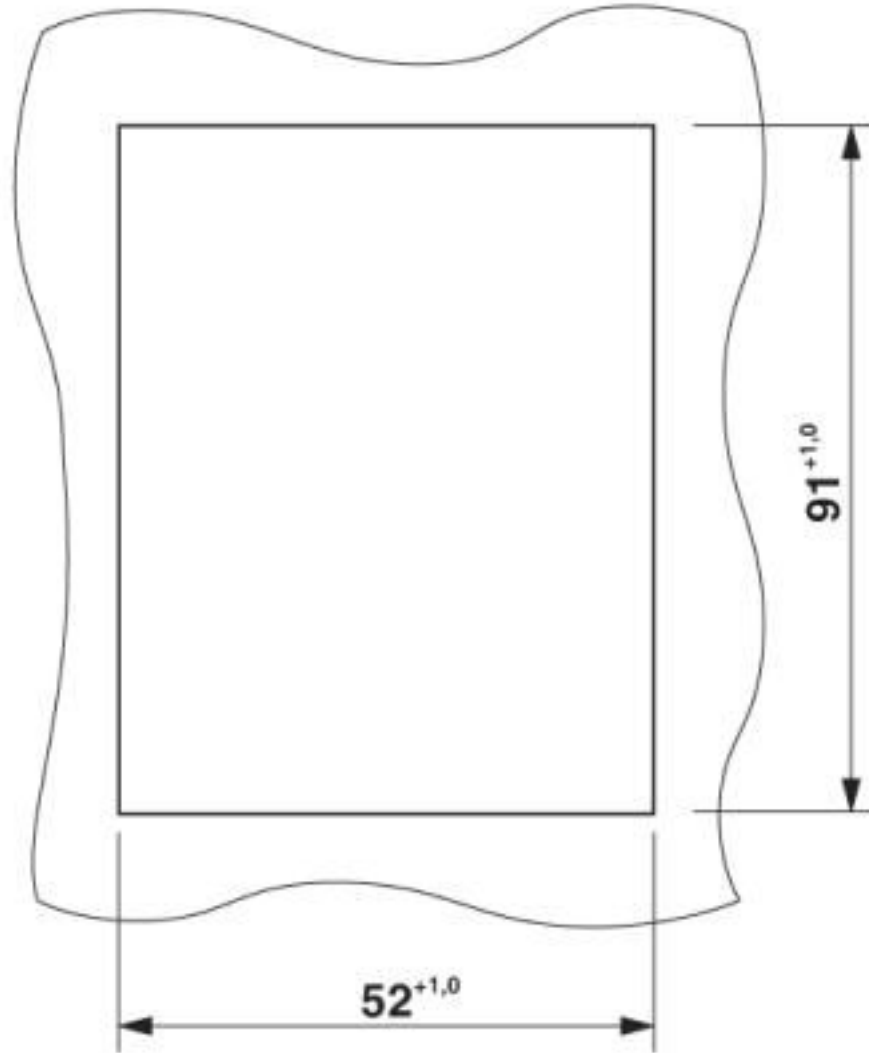
#### Environmental Product Compliance

REACH SVHC	Lead 7439-92-1
China RoHS	Environmentally Friendly Use Period = 50 years
	For details about hazardous substances go to tab "Downloads", Category "Manufacturer's declaration"

### Drawings

# Mounting frame - VS-SI-EB-EMV-1 - 1656482

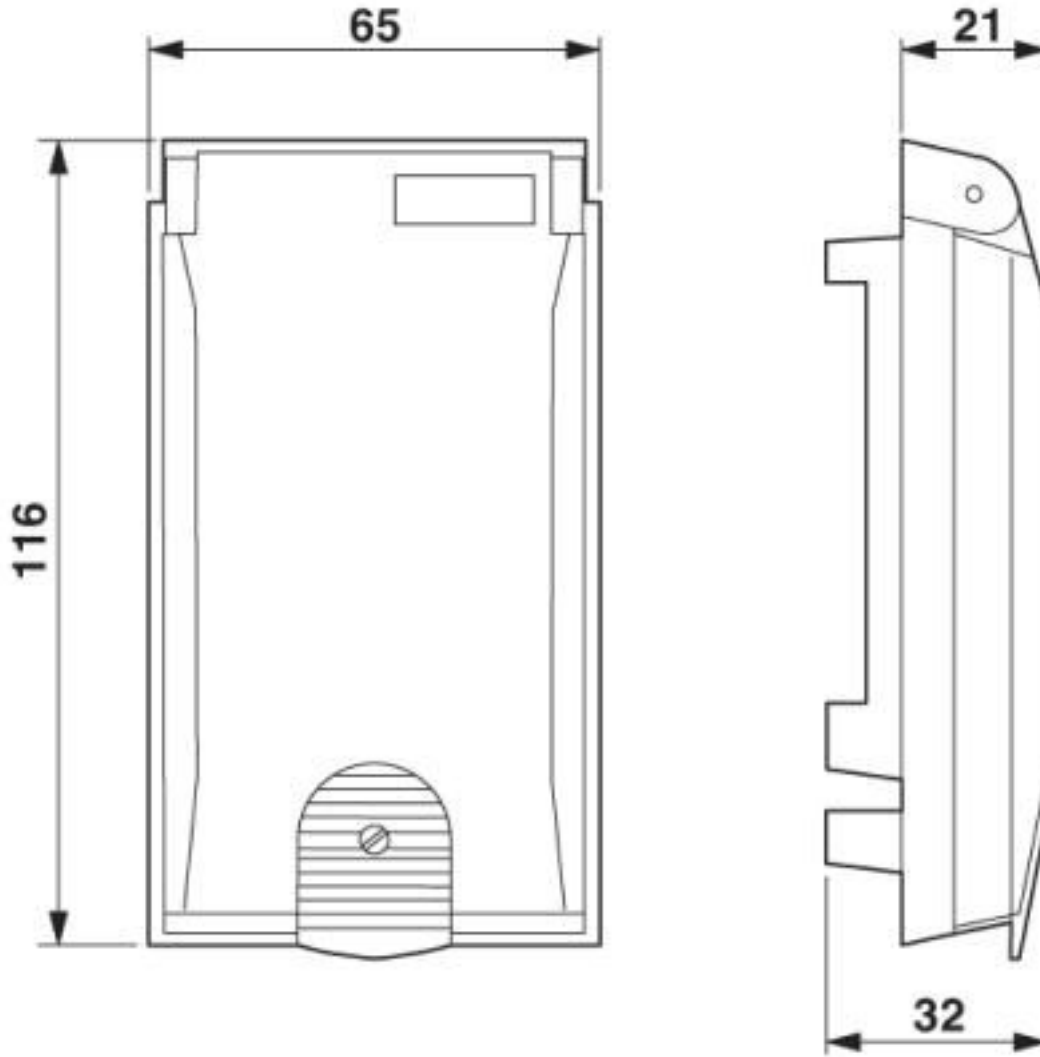
Dimensional drawing



Mounting cutout

# Mounting frame - VS-SI-EB-EMV-1 - 1656482

Dimensional drawing



Dimensional drawing

## Classifications

eCl@ss

eCl@ss 10.0.1	27182806
eCl@ss 4.0	27141200
eCl@ss 4.1	27141200
eCl@ss 5.0	27144000
eCl@ss 5.1	27144000

## Mounting frame - VS-SI-EB-EMV-1 - 1656482

### Classifications

#### eCl@ss

eCl@ss 6.0	27144000
eCl@ss 7.0	27144001
eCl@ss 8.0	27144001
eCl@ss 9.0	27189217

#### ETIM

ETIM 2.0	EC000007
ETIM 3.0	EC000007
ETIM 4.0	EC000007
ETIM 5.0	EC000007
ETIM 6.0	EC000456
ETIM 7.0	EC000456

#### UNSPSC

UNSPSC 6.01	31261501
UNSPSC 7.0901	31261501
UNSPSC 11	31261501
UNSPSC 12.01	31261501
UNSPSC 13.2	31261501
UNSPSC 18.0	39121302
UNSPSC 19.0	39121302
UNSPSC 20.0	39121302
UNSPSC 21.0	39121302

### Accessories

#### Accessories

#### Data front plate

#### Front plate - VS-SI-FP-2RJ-MOD - 1656631



Front plate, plastic with shroud, for 2x RJ with modular system (Keystone)

## Mounting frame - VS-SI-EB-EMV-1 - 1656482

### Accessories

Front plate - VS-SI-FP-2DSUB9 - 1656563



Data front plate, plastic, for 2 x 9-pos. D-SUB, item 1656961 may be required for mounting D-SUB inserts

---

Front plate - VS-SI-FP-DSUB9-DSUB15 - 1656576



Data front plate, plastic, for 1 x 15-pos. D-SUB and 1 x 15-pos. D-SUB, item 1656961 may be required for mounting D-SUB inserts

---

Front plate - VS-SI-FP-DSUB9-DSUB25 - 1656589



Data front plate, plastic, for 1 x 9-pos. D-SUB and 1 x 25-pos. D-SUB, item 1656961 may be required for mounting D-SUB inserts

---

Front plate - VS-SI-FP-2DSUB15 - 1656592



Data front plate, plastic, for 2 x 15-pos. D-SUB, item 1656961 may be required for mounting D-SUB inserts

---

Front plate - VS-SI-FP-DSUB15-DSUB25 - 1656602



Data front plate, plastic, for 1 x 15-pos. D-SUB and 1 x 25-pos. D-SUB, item 1656961 may be required for mounting D-SUB inserts

---

## Mounting frame - VS-SI-EB-EMV-1 - 1656482

### Accessories

Front plate - VS-SI-FP-2DSUB25 - 1656615



Data front plate, plastic, for 2x D-SUB 25, item 1656961 may be required for mounting D-SUB inserts

---

Front plate - VS-SI-FP-BP - 1656657



Front plate, degree of protection: IP20, material: PBT, color: gray

---

Front plate - VS-SI-FP-2F - 1658532



Front plate, plastic, with two Freenet slots

---

### Marking material

Marker labels - VS-SI-BZ - 1656660



Marker label, plastic, plate with 20 labels

---

### Socket

Socket insert - VS-SI-SD-DE - 1656505



Ground contact socket, plastic, for Germany

## Mounting frame - VS-SI-EB-EMV-1 - 1656482

### Accessories

---

#### Socket insert - VS-SI-SD-DE-G - 1656518



Socket insert, degree of protection: IP20, material: PA, connection method: Screw connection, Germany

---

#### Socket insert - VS-SI-SD-USA - 1656521



Ground contact socket, plastic, for USA

---

#### Socket insert - VS-SI-SD-FR - 1656534



Ground contact socket, plastic, for France

---

#### Socket insert - VS-SI-SD-GB - 1656547



Ground contact socket, plastic, for Great Britain

---

#### Socket insert - VS-SI-SD-IT - 1656550



Socket insert, degree of protection: IP20, material: PA, connection method: Screw connection, color: light gray, Italy

---

---



