

FO connecting cable - VS-IL-2XHCS-200-2XSCRJ67-10 - 1654918

Please be informed that the data shown in this PDF Document is generated from our Online Catalog. Please find the complete data in the user's documentation. Our General Terms of Use for Downloads are valid (<http://phoenixcontact.com/download>)



Assembled fiber optic cable, round cable, PCF fiber 200/230 µm, SC-RJ/IP67 on SC-RJ/IP67, for installation inside buildings, length: 10 m



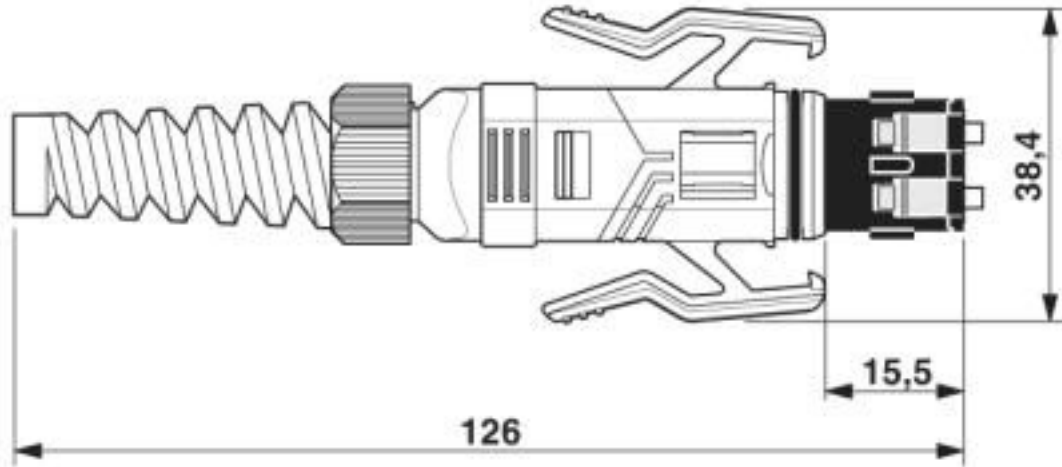
Key Commercial Data

Packing unit	1 pc
GTIN	 4 046356 028882
GTIN	4046356028882
Weight per Piece (excluding packing)	624.800 g
Custom tariff number	85369010
Country of origin	Germany

Drawings

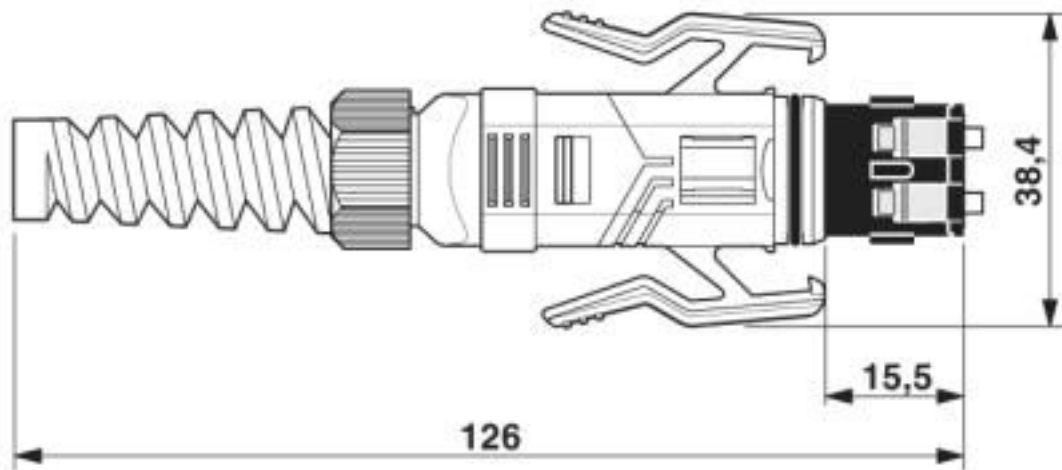
FO connecting cable - VS-IL-2XHCS-200-2XSCRJ67-10 - 1654918

Dimensional drawing



SC-RJ connector, PCF, IP67

Dimensional drawing



SC-RJ connector, PCF, IP67

Classifications

eCl@ss

eCl@ss 10.0.1	27061003
eCl@ss 4.0	27061000
eCl@ss 4.1	27061000
eCl@ss 5.0	27061000

FO connecting cable - VS-IL-2XHCS-200-2XSCRJ67-10 - 1654918

Classifications

eCl@ss

eCl@ss 5.1	27061000
eCl@ss 6.0	27061000
eCl@ss 7.0	27061003
eCl@ss 8.0	27061003
eCl@ss 9.0	27061003

ETIM

ETIM 2.0	EC000764
ETIM 3.0	EC001263
ETIM 4.0	EC001263
ETIM 5.0	EC001263
ETIM 6.0	EC001263
ETIM 7.0	EC001263

UNSPSC

UNSPSC 6.01	31261501
UNSPSC 7.0901	31261501
UNSPSC 11	31261501
UNSPSC 12.01	31261501
UNSPSC 13.2	26121607
UNSPSC 18.0	26121607
UNSPSC 19.0	26121607
UNSPSC 20.0	26121607
UNSPSC 21.0	26121607

Approvals

Approvals

Approvals

EAC

Ex Approvals

Approval details

FO connecting cable - VS-IL-2XHCS-200-2XSCRJ67-10 - 1654918

Approvals

EAC		B.01742
-----	---	---------

Accessories

Accessories

Protective cover

Protective covers - VS-SCRJ-PC - 1653757



IP67 protective cover, for covering the male inserts in the sleeve housings IP67, VS-SC-RJ-..., VS-04-..., VS-06-... and VS-08-...