

RJ45 PCB connectors - VS-08-BU-RJ45-6/LH-1 - 1653087

Please be informed that the data shown in this PDF Document is generated from our Online Catalog. Please find the complete data in the user's documentation. Our General Terms of Use for Downloads are valid (<http://phoenixcontact.com/download>)




RJ45 PCB connectors, type: RJ45, degree of protection: IP20, number of positions: 8, 1 Gbps, CAT5 (IEC 11801:2002), connection method: Solder connection

Your advantages

- Shielded
- Direct PCB connection
- Transmission speed of up to 1000 Mbps



Key Commercial Data

Packing unit	1 pc
Minimum order quantity	5 pc
GTIN	 4 017918 970031
GTIN	4017918970031
Weight per Piece (excluding packing)	8.000 g
Custom tariff number	85366990
Country of origin	Japan

Technical data

Mechanical characteristics

Connection method	Solder connection
Number of slots	1
Degree of pollution	1
Weight	7 g
Type	RJ45
Flammability rating according to UL 94	V0

RJ45 PCB connectors - VS-08-BU-RJ45-6/LH-1 - 1653087

Technical data

Ambient conditions

Ambient temperature (operation)	-25 °C ... 80 °C
---------------------------------	------------------

Material data

Contact surface material	Gold over nickel
Contact material	Copper alloy
Contact carrier material	PBT

Electrical characteristics

Number of positions	8
GRP transmission properties	CAT5 (IEC 11801:2002)
Transmission speed	1 Gbps
Rated current	1 A
Degree of pollution	1
Rated voltage (III/3)	72 V (DC)

Standards and Regulations

Flammability rating according to UL 94	V0
--	----

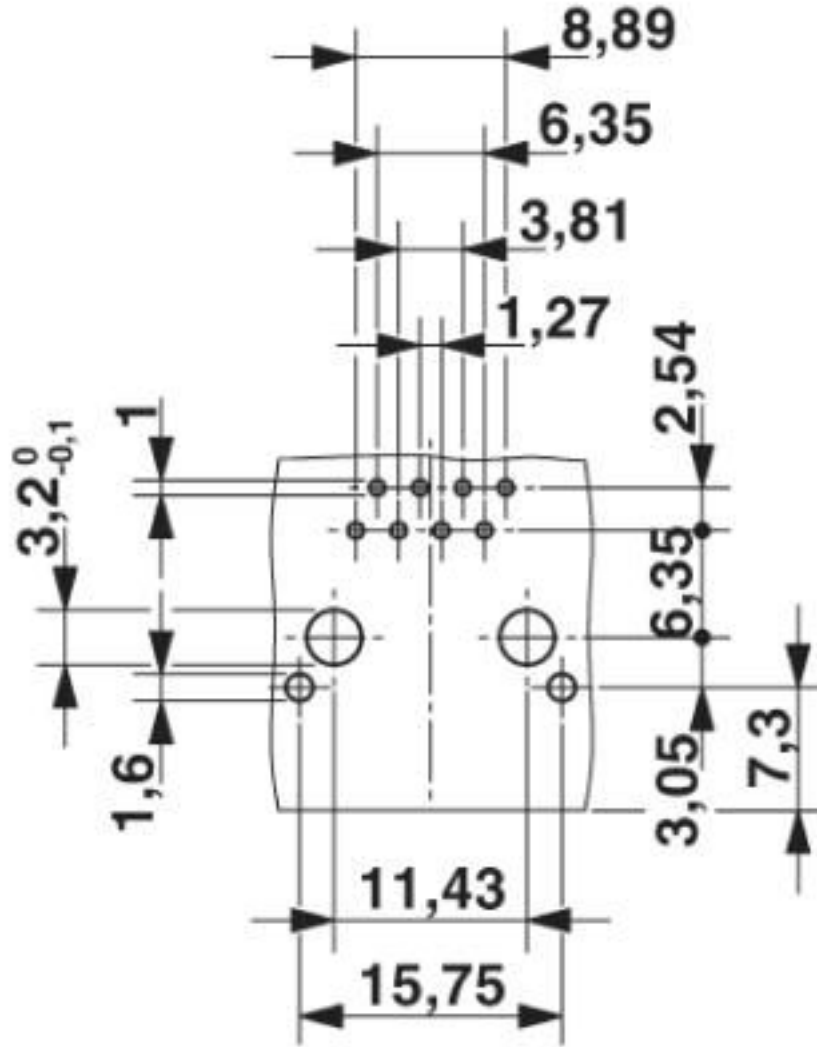
Environmental Product Compliance

China RoHS	Environmentally friendly use period: unlimited = EFUP-e
	No hazardous substances above threshold values

Drawings

RJ45 PCB connectors - VS-08-BU-RJ45-6/LH-1 - 1653087

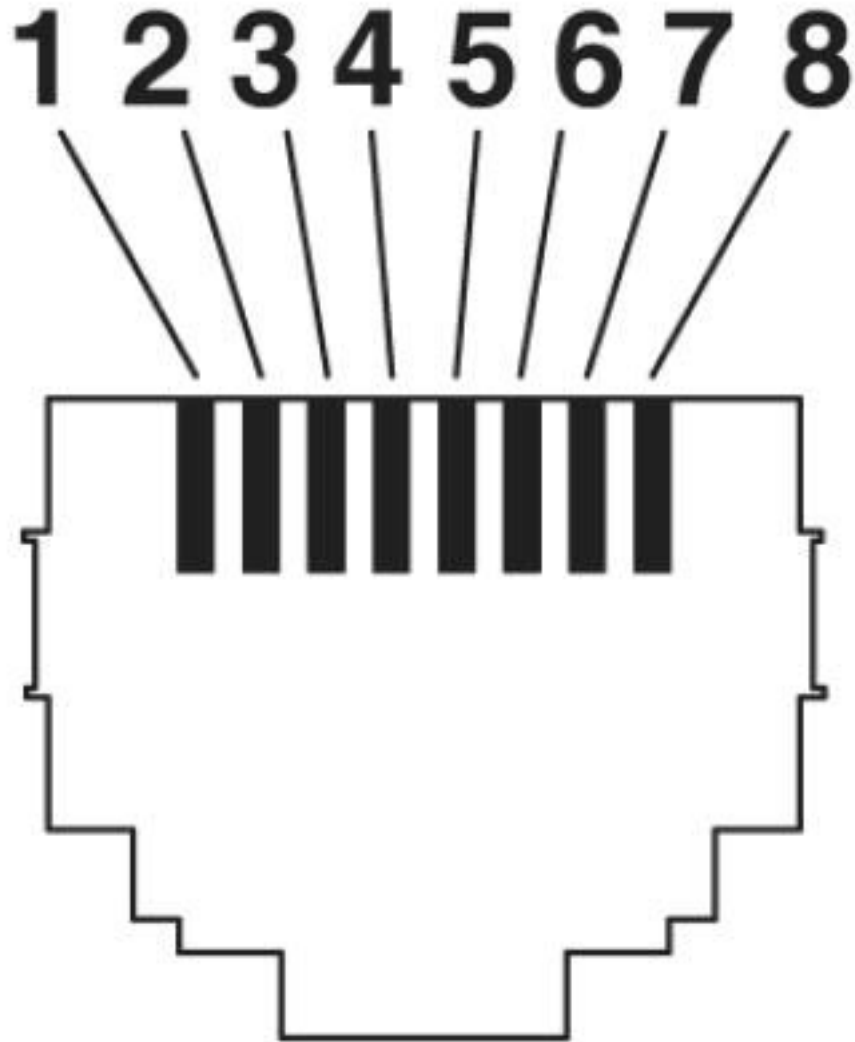
Drilling diagram



Drilling diagram

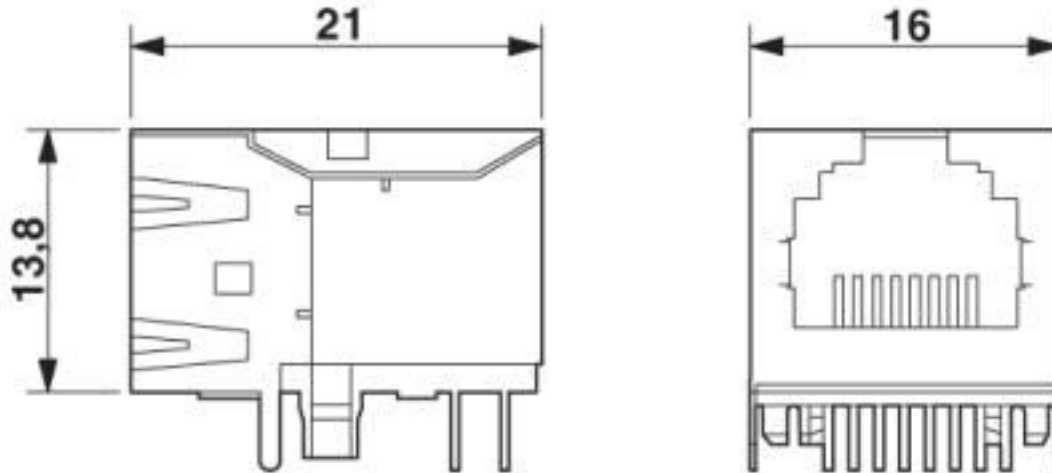
RJ45 PCB connectors - VS-08-BU-RJ45-6/LH-1 - 1653087

Schematic diagram



RJ45 PCB connectors - VS-08-BU-RJ45-6/LH-1 - 1653087

Dimensional drawing



RJ45 socket insert

Classifications

eCl@ss

eCl@ss 10.0.1	27440205
eCl@ss 4.0	27260700
eCl@ss 4.1	27260700
eCl@ss 5.0	27260700
eCl@ss 5.1	27261200
eCl@ss 6.0	27261200
eCl@ss 7.0	27440205
eCl@ss 8.0	27440205
eCl@ss 9.0	27440205

ETIM

ETIM 2.0	EC000438
ETIM 3.0	EC000438
ETIM 4.0	EC000438
ETIM 5.0	EC000438
ETIM 6.0	EC000438
ETIM 7.0	EC000438

UNSPSC

UNSPSC 6.01	30211923
UNSPSC 7.0901	39121522

RJ45 PCB connectors - VS-08-BU-RJ45-6/LH-1 - 1653087

Classifications

UNSPSC

UNSPSC 11	39121522
UNSPSC 12.01	39121522
UNSPSC 13.2	39121522
UNSPSC 18.0	39121522
UNSPSC 19.0	39121522
UNSPSC 20.0	39121522
UNSPSC 21.0	39121522

Approvals

Approvals

Approvals

EAC

Ex Approvals

Approval details

EAC		B.01687
-----	--	---------

Accessories

Accessories

Panel mounting frame

Panel mounting frames - VS-08-A-RJ45/LP-1-IP 20 - 1688641



RJ45 panel mounting frame, 1x, IP20, for PCB assembly, for socket inserts, without mounting screws

RJ45 PCB connectors - VS-08-BU-RJ45-6/LH-1 - 1653087

Accessories

Panel mounting frames - VS-08-A-RJ45/LP-1-IP67 - 1689446



RJ45 panel mounting frame, IP67, for PCB connection, for square panel cutout, with grommet, without mounting screws, color: gray

Panel mounting frames - VS-08-A-RJ45/LP-1-IP67-BK - 1658655



RJ45 panel mounting frame, IP67, for PCB connection, for square panel cutout, with grommet, without mounting screws, color: black

Panel mounting frames - VS-PPC-F1-RJ45-MNNA-1R-PHA - 1608029



RJ45 panel mounting frame, IP67, for push-pull interlocking, metal, for PCB connection, for square panel cutout, with grommet, without mounting screws

Panel mounting frames - VS-PPC-F1-RJ45-P0BK-1R-PHA - 1657847



RJ45 panel mounting frame, IP67, for push-pull interlocking, plastic, for PCB connection, for square panel cutout, with grommet, without mounting screws
