

RJ45 male insert - VS-08-ST-H21-RJ45 - 1652729


Please be informed that the data shown in this PDF Document is generated from our Online Catalog. Please find the complete data in the user's documentation. Our General Terms of Use for Downloads are valid (<http://phoenixcontact.com/download>)



RJ45 male insert, CAT6, 8-pos., shielded, IDC displacement connection, for litz wire AWG 25 ... 24 and solid wires AWG 24, with strain relief



Key Commercial Data

| | |
|--------------------------------------|---|
| Packing unit | 1 pc |
| Minimum order quantity | 5 pc |
| GTIN |  4 017918 952853 |
| GTIN | 4017918952853 |
| Weight per Piece (excluding packing) | 4.390 g |
| Custom tariff number | 85366990 |
| Country of origin | Taiwan |

Technical data

Mechanical characteristics

| | |
|-------------------------|--|
| Connection method | IDC connection technology |
| Overvoltage category | I |
| AWG solid min. | 24 |
| AWG solid max. | 25 |
| AWG multi-stranded max. | 24 |
| Degree of pollution | 2 |
| Cable outlet | straight |
| No. of cable outlets | 1 |
| Conductor cross section | 0.16 mm ² ... 0.22 mm ² (flexible) |
| | 0.2 mm ² (solid) |

RJ45 male insert - VS-08-ST-H21-RJ45 - 1652729

Technical data

Mechanical characteristics

| | |
|--|---------|
| Weight | 4.078 g |
| Flammability rating according to UL 94 | V2 |

Ambient conditions

| | |
|---------------------------------|------------------|
| Ambient temperature (operation) | -25 °C ... 60 °C |
|---------------------------------|------------------|

Material data

| | |
|--------------------------|-----------------|
| Contact surface material | Gold |
| Contact material | Phosphor bronze |
| Contact carrier material | PC |
| Width | 11.7 mm |
| Height | 13.5 mm |
| Length | 30.2 mm |

Electrical characteristics

| | |
|---|--------------------------------|
| Number of positions | 8 |
| Nominal voltage U_N | 48 V |
| Nominal current I_N | 1.75 A |
| Transmission characteristics (category) | CAT6 |
| GRP transmission properties | CAT6 CAT6 |
| Frequency range | to 250 MHz |
| Rated current | 1 A |
| Overvoltage category | I |
| Degree of pollution | 2 |
| Rated voltage (III/3) | 72 V (DC) |
| Insulation resistance | min. 100 M Ω (100 V DC) |

Standards and Regulations

| | |
|--|----|
| Flammability rating according to UL 94 | V2 |
|--|----|

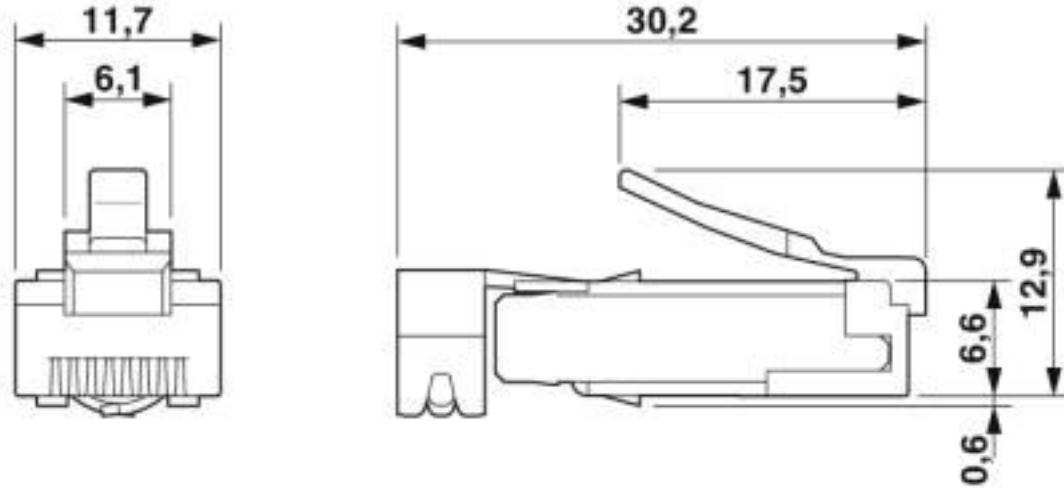
Environmental Product Compliance

| | |
|------------|---|
| China RoHS | Environmentally friendly use period: unlimited = EFUP-e |
| | No hazardous substances above threshold values |

Drawings

RJ45 male insert - VS-08-ST-H21-RJ45 - 1652729

Dimensional drawing



RJ45 male insert

Classifications

eCl@ss

| | |
|---------------|----------|
| eCl@ss 10.0.1 | 27440205 |
| eCl@ss 4.0 | 27260700 |
| eCl@ss 4.1 | 27260700 |
| eCl@ss 5.0 | 27260700 |
| eCl@ss 5.1 | 27261200 |
| eCl@ss 6.0 | 27261200 |
| eCl@ss 7.0 | 27440205 |
| eCl@ss 8.0 | 27440205 |
| eCl@ss 9.0 | 27440205 |

ETIM

| | |
|----------|----------|
| ETIM 2.0 | EC000438 |
| ETIM 3.0 | EC000438 |
| ETIM 4.0 | EC000438 |
| ETIM 5.0 | EC000438 |
| ETIM 6.0 | EC000438 |
| ETIM 7.0 | EC000438 |

UNSPSC

| | |
|---------------|----------|
| UNSPSC 6.01 | 30211923 |
| UNSPSC 7.0901 | 39121522 |

RJ45 male insert - VS-08-ST-H21-RJ45 - 1652729

Classifications

UNSPSC

| | |
|--------------|----------|
| UNSPSC 11 | 39121522 |
| UNSPSC 12.01 | 39121522 |
| UNSPSC 13.2 | 39121522 |
| UNSPSC 18.0 | 39121522 |
| UNSPSC 19.0 | 39121522 |
| UNSPSC 20.0 | 39121522 |
| UNSPSC 21.0 | 39121522 |

Approvals

Approvals

Approvals

EAC / EAC

Ex Approvals

Approval details

| | | |
|-----|--|---------|
| EAC | | B.01687 |
|-----|--|---------|

| | | |
|-----|--|---------|
| EAC | | B.01687 |
|-----|--|---------|

Accessories

Accessories

Bend protection sleeve

RJ45 bending protection sleeve - VS-08-KS-H/GY - 1654743



RJ45 bend protection sleeve, for pin inserts VS-08-ST-H11-RJ45 and VS-08-ST-H21-RJ45, for cable cross section up to 7 mm, color: gray

RJ45 male insert - VS-08-ST-H21-RJ45 - 1652729

Accessories

RJ45 bending protection sleeve - VS-08-KS-H/GN - 1654756



RJ45 bend protection sleeve, for pin inserts VS-08-ST-H11-RJ45 and VS-08-ST-H21-RJ45, for cable cross section up to 7 mm, color: green

Crimping tool

Crimping pliers - VS-CT-RJ45-H - 1653265



Crimp tool, pliers with die, for RJ45 pin inserts VS-08-ST-H...-RJ45 and VS-08-RJ45-10G/C

Sleeve housings

RJ45 sleeve housings - VS-08-T-H-RJ45/IP67 - 1652732



RJ45 sleeve housings, degree of protection: IP67, number of positions: 8, material: PA, cable outlet: straight, color: traffic grey A RAL 7042

RJ45 sleeve housings - VS-08-T-H-RJ45/IP67-BK - 1658671



RJ45 sleeve housings, degree of protection: IP67, number of positions: 8, material: PA, cable outlet: straight, color: jet black RAL 9005